



PRELIMINARY

SOLID STATE DEVICES, INC.

14830 Valley View Blvd * La Mirada, Ca 90638

Phone: (562) 404-7855 * Fax: (562) 404-1773

**SED20HB100
SED20HE100**

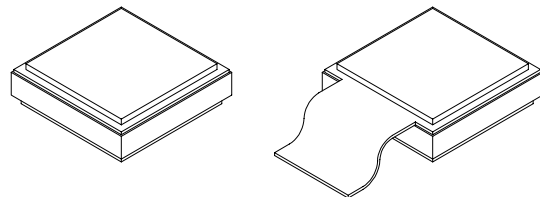
**20 AMP
100 VOLTS
SCHOTTKY
RECTIFIER**

Designer's Data Sheet

FEATURES:

- Low Reverse Leakage
- Low Forward Voltage Drop
- Hermetically Sealed Power Surface Mount Package
- Guard Ring for Overvoltage Protection
- Eutectic Die Attach
- 175°C Operating Temperature
- TX, TXV and Space Level Screening Available

SEDPACK 1



Maximum Ratings	SYMBOL	VALUE	UNITS
Peak Repetitive Reverse and DC Blocking Voltage	V_{RRM} V_{RWM} V_R	100	Volts
Average Rectified Forward Current (Resistive Load, 60Hz, Sine Wave, $T_C = 100^\circ\text{C}$)	I_o	20	Amps
Peak Surge Current (8.3 ms Pulse, Half Sine Wave Superimposed on I_o , allow junction to reach equilibrium between pulses, $T_A = 25^\circ\text{C}$)	I_{FSM}	175	Amps
Operating and Storage Temperature	Top & Tstg	-55 TO +175	$^\circ\text{C}$
Maximum Thermal Resistance Junction to Case	$R_{\theta JC}$	1.3	$^\circ\text{C/W}$

NOTE: All specifications are subject to change without notification. SCD's for these devices should be reviewed by SSDI prior to release.

DATA SHEET #: SH0024A

SED20HB100 SED20HE100

PRELIMINARY

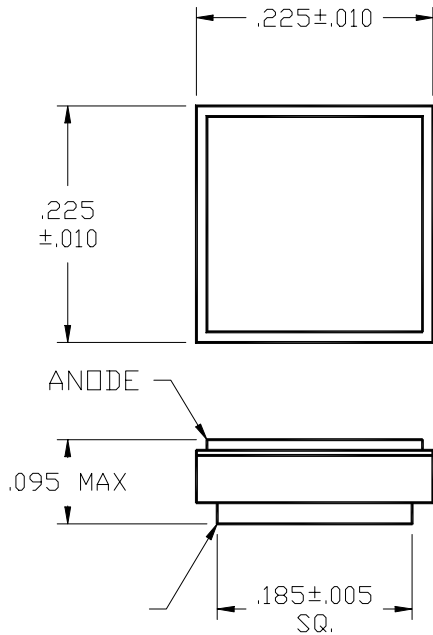


SOLID STATE DEVICES, INC.

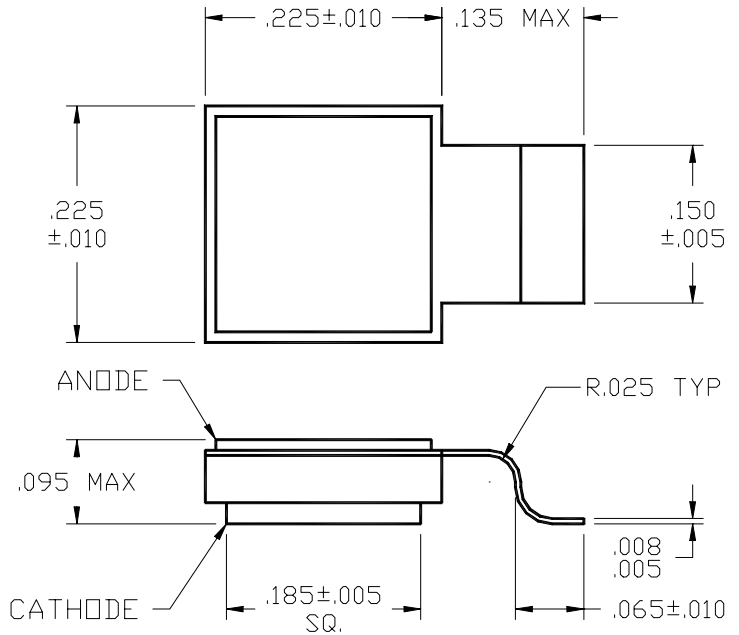
14830 Valley View Blvd * La Mirada, Ca 90638
Phone: (562) 404-7855 * Fax: (562) 404-1773

Electrical Characteristics		SYMBOL	VALUE	UNITS
Instantaneous Forward Voltage Drop ($T_A = 25^\circ\text{C}$, 300 μs Pulse minimum)	$I_F = 10\text{A}_{\text{DC}}$	V_{F1}	0.78	V_{DC}
	$I_F = 20\text{A}_{\text{DC}}$	V_{F2}	0.87	
Instantaneous Forward Voltage Drop ($T_A = +125^\circ\text{C}$, 300 μs Pulse minimum)	$I_F = 10\text{A}_{\text{DC}}$	V_{F3}	0.63	V_{DC}
	$I_F = 20\text{A}_{\text{DC}}$	V_{F4}	0.70	
Reverse Leakage Current (Rated V_R , 300 μsec Pulse minimum)	$T_A = 25^\circ\text{C}$	I_{R1}	1.5	mA
	$T_A = 100^\circ\text{C}$	I_{R2}	10	
Junction Capacitance ($V_R = 10V_{\text{DC}}$, $T_A = 25^\circ\text{C}$, $f = 1\text{MHz}$)		C_J	600	pF

CASE OUTLINE: P/N SED20HB100



CASE OUTLINE: P/N SED20HE100



TEMPERATURE DERATING CURVE

