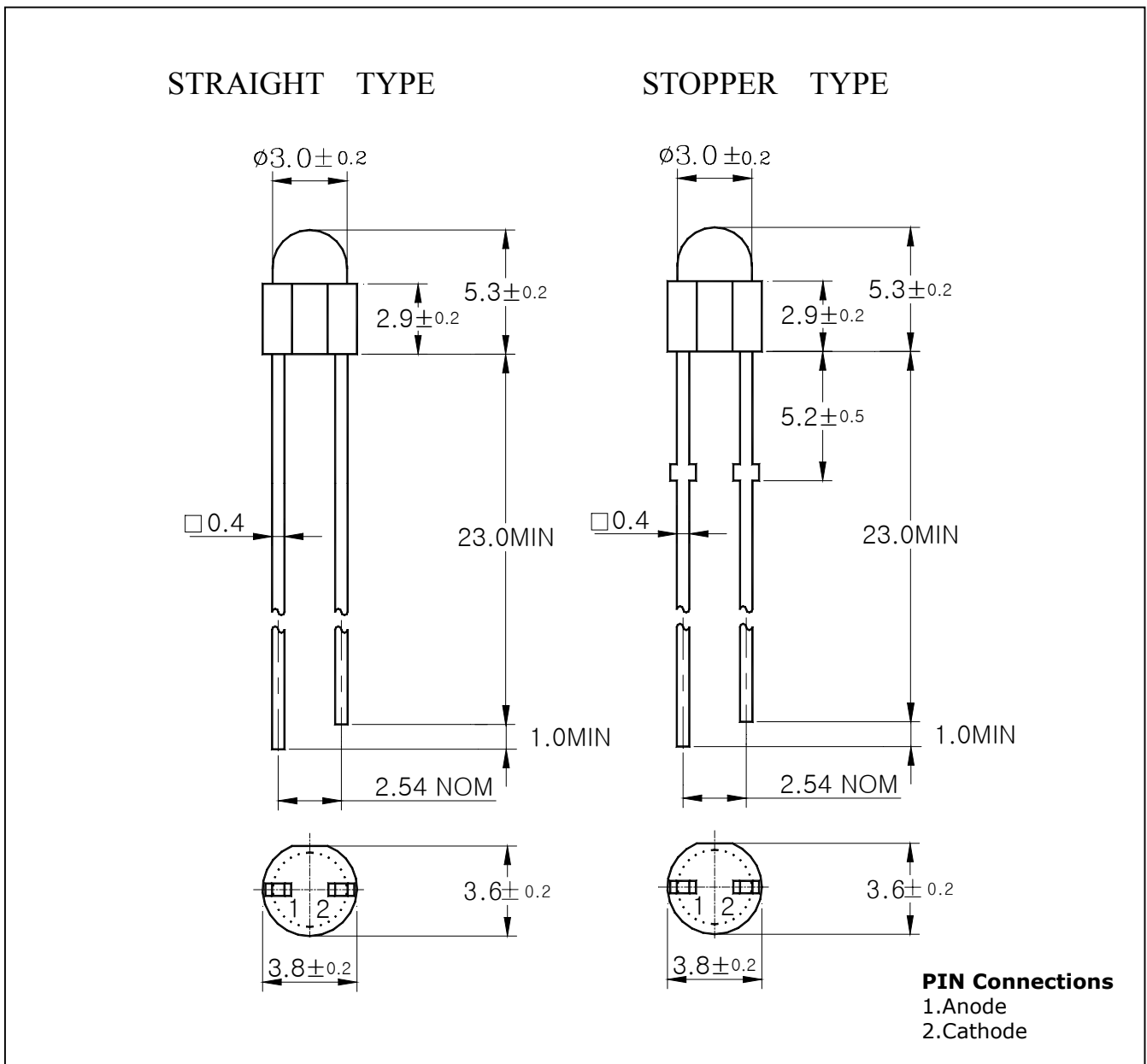


**Features**

- Colorless transparency lens type
- $\phi 3\text{mm}$ (T-1) all plastic mold type
- Available on tape

**Outline Dimensions**

**unit : mm**

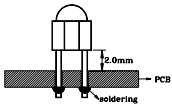


## Absolute maximum ratings

Characteristic	Symbol	Ratings	Unit
Power Dissipation	$P_D$	85	mW
Forward Current	$I_F$	30	mA
*1Peak Forward Current	$I_{FP}$	50	mA
Reverse Voltage	$V_R$	4	V
Operating Temperature	$T_{opr}$	-25~85	°C
Storage Temperature	$T_{stg}$	-30~100	°C
*2Soldering Temperature	$T_{sol}$	260°C for 5 seconds	

\*1. Duty ratio = 1/16, Pulse width = 0.1ms

\*2. Keep the distance more than 2.0mm from PCB to the bottom of LED package



## Electrical Characteristics

Characteristic	Symbol	Test Condition	Min	Typ	Max	Unit
Forward Voltage	$V_F$	$I_F= 20mA$	-	2.1	2.8	V
*4Luminous Intensity	$I_V$	$I_F= 20mA$	17	43	100	mcd
Peak Wavelength	$\lambda_P$	$I_F= 20mA$	-	557	-	nm
Spectrum Bandwidth	$\Delta \lambda$	$I_F= 20mA$	-	30	-	nm
Reverse Current	$I_R$	$V_R=4V$	-	-	10	uA
*3Half Angle	$\theta_{1/2}$	$I_F= 20mA$	-	$\pm 22$	-	deg

\*3.  $\theta_{1/2}$  is the off-axis angle where the luminous intensity is 1/2 the peak intensity

\*4. Luminous Intensity Maximum tolerance for each Grade Classification limit is  $\pm 18\%$

\*4. Luminous Intensity classification

H	I	J	K
17~27	27~43	43~68	68~100

Characteristic Diagrams

Fig. 1  $I_F - V_F$

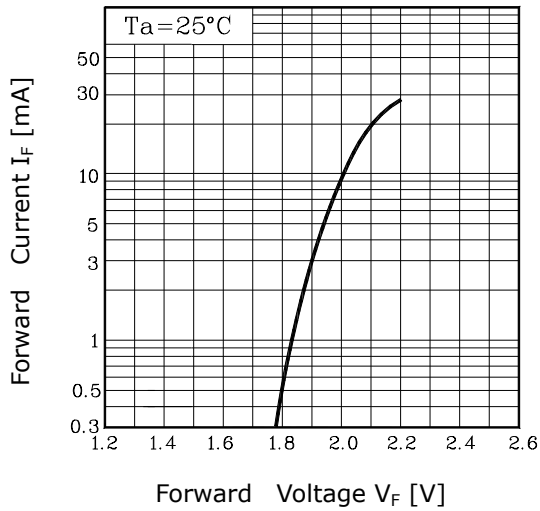


Fig. 2  $I_V - I_F$

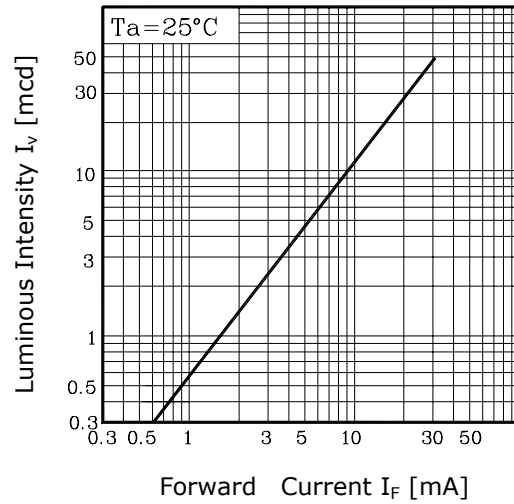


Fig. 3  $I_F - T_a$

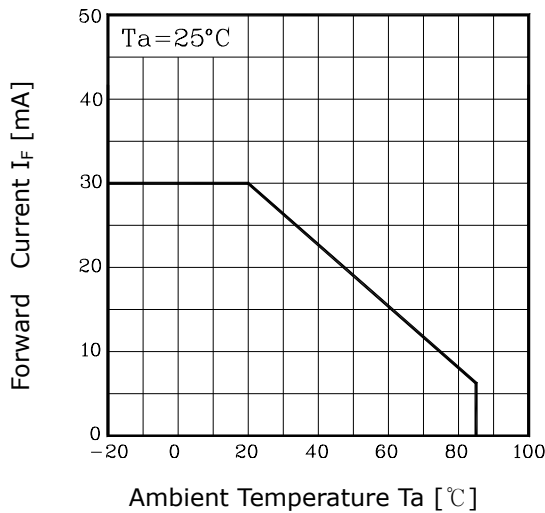


Fig.4 Spectrum Distribution

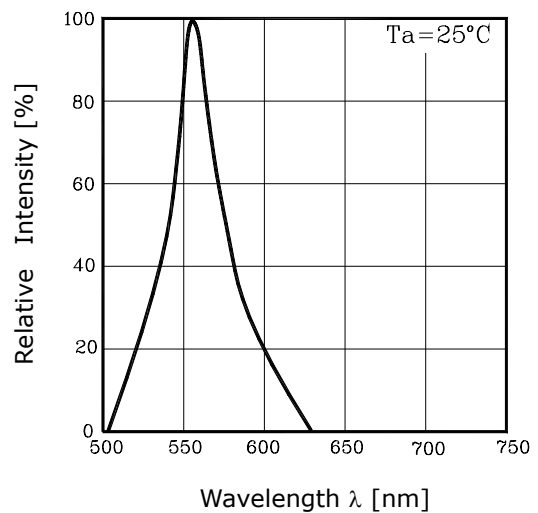


Fig. 5-1 Radiation Diagram

