

VI TELEFILTER**Filter Specification****TFS 378****1/5****Measurement condition**

Ambient temperature: 23 °C
 Input power level: 0 dBm
 Terminating impedances
 for input: 250 Ω // -2 pF
 for output: 250 Ω // -2 pF
 External coil: 90 nH

Characteristics**Remark:**

Reference level for the relative attenuation a_{rel} of the TFS 378 is the minimum of the pass band attenuation a_{min} . The minimum of the pass band attenuation a_{min} is defined as the insertion loss a_e . The centre frequency f_0 is the arithmetic mean value of the upper and lower frequencies at the 3 dB filter attenuation level relative to the insertion loss a_e . The nominal frequency f_N is fixed on 378 MHz without tolerance. The given values for the relative attenuation a_{rel} and for the group delay ripple have to be reached at the frequencies given below also if the centre frequency f_0 is shifted due to the temperature coefficient of frequency TC_f in the operating temperature range and due to a production tolerance for the centre frequency f_0 .

D a t a		typ. Value	Tolerance / Limit	
Nominal Frequency	f_N	-	378	MHz
Insertion Loss	a_e (reference level)	-	max. 5,5	dB
3 dB Band Width		-	min. $f_N \pm 80$	kHz
Pass Band Ripple $f_N \pm 67,5$ kHz		-	max. 1,5	dB
Relative Attenuation	a_{rel}			
$f_N \pm 400$ kHz ... $f_N \pm 600$ kHz		-	min. 18	dB
$f_N \pm 600$ kHz ... $f_N \pm 800$ kHz		-	min. 32	dB
$f_N \pm 800$ kHz ... $f_N \pm 1600$ kHz		-	min. 38	dB
$f_N \pm 1600$ kHz ... $f_N \pm 3000$ kHz		-	min. 42	dB
$f_N \pm 3000$ kHz ... $f_N \pm 20$ MHz		-	min. 50	dB
$f_N \pm 20$ MHz ... $f_N \pm 100$ MHz		-	min. 50	dB
$2 \times f_N$		-	min. 50	dB
Group Delay Deviation	GDD			
$f_N \pm 50$ kHz		-	max. 1,2	µs
$f_N \pm 70$ kHz		-	max. 1,5	µs
$f_N \pm 100$ kHz		-	max. 2,5	µs
Operating Temperature Range			- 10 °C ... + 70 °C	
Temperature Coefficient of Frequency	TC_f	- 0,036	ppm/K ²	-
Frequency Inversion Temperature	To	30	°C	-

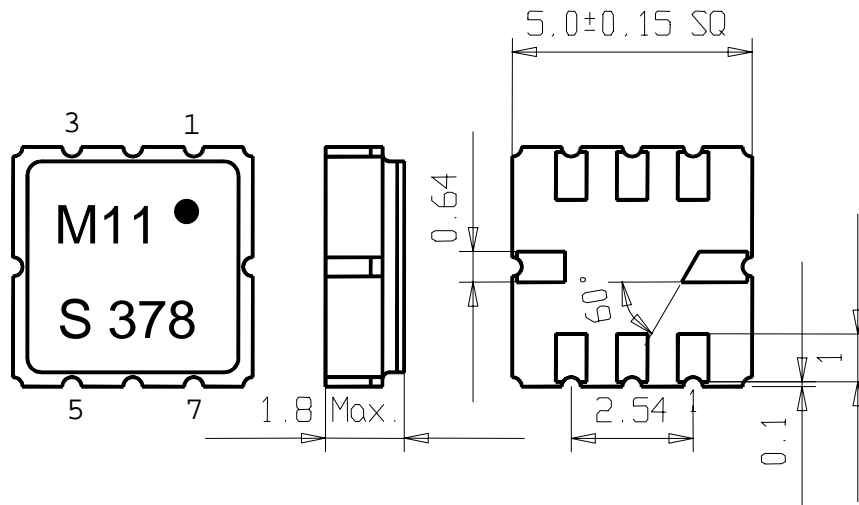
Generated: _____**Checked / approved:** _____

VI TELEFILTER
Potsdamer Straße 18
D 14 513 TELTOW / Germany
Tel: (+49) 3328 4784-52 / Fax: (+49) 3328 4784-30
E-Mail: tft@telefilter.com

Vectron International, Inc.
267 Lowell Road
Hudson, NH 03051 / USA
Tel: (603) 598-0070 Fax: (603) 598-0075
E-Mail: vti@vtinh.com

VI TELEFILTER reserves the right to make changes to the product(s) and/or information contained herein without notice. No liability is assumed as a result of their use or application. No rights under any patent accompany the sale of any such product(s) or information.

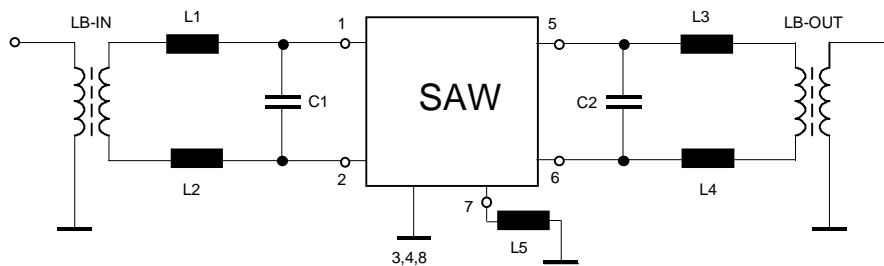
Construction, pin configuration and 50 Ω matching network



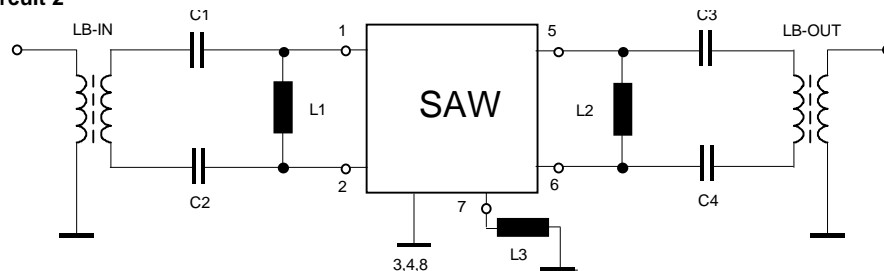
(All dimensions in mm)

Pin 1	Sym. Input	Pin 5	Sym. Output
Pin 2	Sym. Input	Pin 6	Sym. Output
Pin 3	Ground	Pin 7	External Coil
Pin 4	Package Ground	Pin 8	Package ground

50 Ohm Test circuit 1



50 Ohm Test circuit 2



Stability Characteristics

After the following tests the filter shall meet the whole specification:

- 1. Shock: 500g, 18 ms, half sine wave, 3 shocks each plane;
DIN IEC 68 T2 - 27
- 2. Vibration: 10 Hz to 500 Hz, 0,35 mm or 5g respectively, 1 octave per min, 10 cycles per plan, 3 plans;
DIN IEC 68 T2 - 6
- 3. Damp heat: 25 °C to 55°C / 95% r.H. / 10 cycles
(cycle) DIN IEC 68 - 2 – 30 Db
- 4. Resistance to solder heat (reflow): max. 2 times reflow process;
for temperature conditions refer to the attached "Air reflow temperature conditions" on page 4;

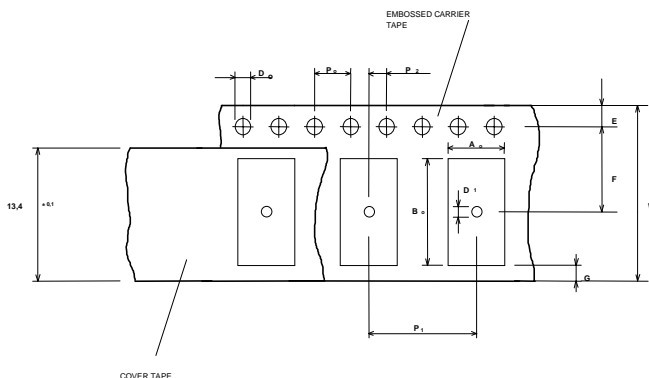
Packing

Tape & Reel: IEC 286 - 3, with exception of value for N and minimum bending radius;
tape type II, embossed carrier tape with top cover tape on the upper side;

max. pieces of filters per reel: 3000
Reel of empty components at start: min 300 mm
Reel of empty components at start including leader: min 500 mm
Trailer: min 300 mm

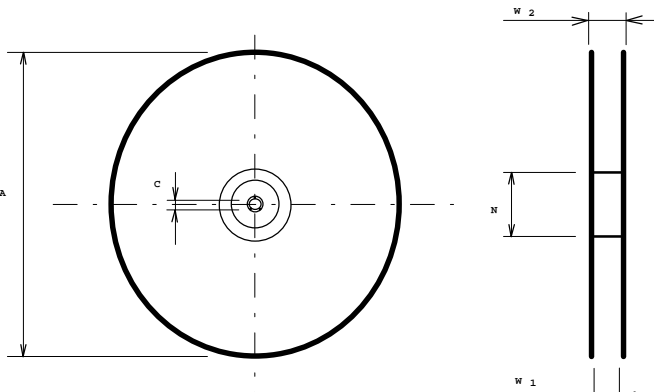
Tape (all dimensions in mm)

- W : 12 ± 0,3
- Po : 4 ± 0,1
- Do : 1,5 + 0,1
- E : 1,75 ± 0,1
- F : 5,5 ± 0,1
- G (min): 0,75
- P2 : 2 ± 0,05
- P1 : 4 ± 0,1
- D1(min): 1,5
- Ao : 5,3 ± 0,1
- Bo : 5,3 ± 0,1



Reel (all dimensions in mm):

- A : 330
- W1 : 12,4 +2
- W2 (max) : 18,4
- N (min) : 50
- C : 13 ± 0,25 ^A



The minimum bending radius is 45 mm. The mounting surface of the filters faces the bottom side of the embossed carrier tape. The marking of the filters is able to read if the view is directed on the upper side of the carrier tape with the sprocket holes on the right side of the tape.

Air reflow temperature conditions

1st and 2nd air reflow profile

Name:	pre-heating periods	main-heating periods	peak temperature
Temperature:	150 °C - 170 °C	over 200 °C	255 °C ± 5 °C
Time:	60 sec. - 90 sec.	20 sec. - 25 sec.	

Chip-mount air reflow profile

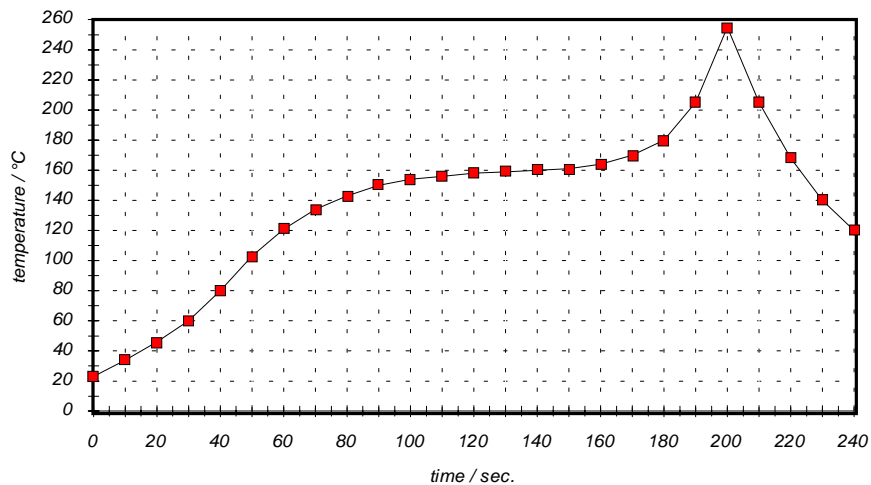


Table for temperature vs. time during the air reflow process

Tolerance of temperatures: ± 5 °C

time / sec.	temperature / °C	time / sec.	temperature / °C
0	23	140	160
10	34	150	161
20	46	160	164
30	60	170	170
40	80	180	180
50	103	190	205
60	121	195	230
70	134	200	255
80	143	205	230
90	150	210	205
100	154	215	180
110	156	220	165
120	158	230	140
130	159	240	120

VI TELEFILTER**Filter Specification****TFS 378****5/5**

History

Version	Reason of Changes	Name	Date
1.5	Change date code from month to week Change errors in tape an reel information Remove 'Construction' from page 1 Guarantee better values for stability characteristic	Dr. Wall	17.03.2000

VI TELEFILTER
Potsdamer Straße 18
D 14 513 TELTOW / Germany
Tel: (+49) 3328 4784-52 / Fax: (+49) 3328 4784-30
E-Mail: tft@telefilter.com

Vectron International, Inc.
267 Lowell Road
Hudson, NH 03051 / USA
Tel: (603) 598-0070 Fax: (603) 598-0075
E-Mail: vti@vtinh.com

VI TELEFILTER reserves the right to make changes to the product(s) and/or information contained herein without notice. No liability is assumed as a result of their use or application. No rights under any patent accompany the sale of any such product(s) or information.