

# NPN RF POWER TRANSISTOR

**DESCRIPTION:**

The **ASI TPV394** is a Common Emitter Device Designed for Class A High Linearity Amplifier Applications in TV Band II-III Transmitters.

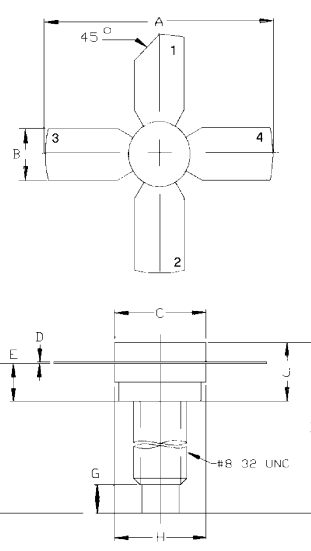
**FEATURES INCLUDE:**

- Gold Metallization
- Emitter Ballasting
- High Gain

**MAXIMUM RATINGS**

<b>I<sub>C</sub></b>	4.0 A
<b>V<sub>CES</sub></b>	45 V
<b>P<sub>DISS</sub></b>	50 W
<b>T<sub>J</sub></b>	-55 °C to +200 °C
<b>T<sub>STG</sub></b>	-55 °C to +200 °C
<b>θ<sub>JC</sub></b>	3.5 °C/W

**PACKAGE STYLE 280 4L STUD**



	MINIMUM Inches/mm	MAXIMUM Inches/mm
A	1.010/25.65	1.055/26.80
B	.220/5.59	.230/5.84
C	.270/6.86	.285/7.24
D	.003/0.08	.007/0.18
E	.117/2.97	.137/3.48
F	.5/2/14.53	
G	.130/3.30	
H	.275/6.99	.285/7.24
I	.640/16.26	
J	.175/4.45	.21/75.51

**1 = COLLECTOR    2 = BASE**  
**3 & 4 = EMITTER**

**CHARACTERISTICS** T<sub>C</sub> = 25 °C

SYMBOL	TEST CONDITIONS			MINIMUM	TYPICAL	MAXIMUM	UNITS
<b>BV<sub>CES</sub></b>	I <sub>C</sub> = 40 mA			45			<b>V</b>
<b>BV<sub>CEO</sub></b>	I <sub>C</sub> = 40 mA			28			<b>V</b>
<b>BV<sub>EBO</sub></b>	I <sub>E</sub> = 5.0 mA			4.0			<b>V</b>
<b>h<sub>FE</sub></b>	V <sub>CE</sub> = 5.0 V	I <sub>C</sub> = 1000 mA		10		100	<b>---</b>
<b>C<sub>OB</sub></b>	V <sub>CB</sub> = 28 V	f = 1.0 MHz			34.0		<b>pF</b>
<b>P<sub>G</sub></b>	V <sub>CE</sub> = 28 V	I <sub>C</sub> = 1000 mA	P <sub>REF</sub> = 5.0 W	14	16	---	<b>dB</b>
<b>IMD<sub>3</sub></b>			F <sub>V</sub> = 225 MHz	---	---	-60	<b>dBc</b>