

INTEGRATED CONNECTOR MODULES

V811-1X4T-06 10/100Base-TX MagJack® 1 x 4

ELECTRICAL CHARACTERISTICS @ 25°C

TURNS RATIO

TX	1CT : 1
RX	1CT : 1

DCL @ 100kHz/100mVRMS

8mA DC BIAS	350µH MIN.
-------------	------------

INS. LOSS

1MHz TO 100MHz	-1.0 dB MAX
----------------	-------------

RET. LOSS (MIN)

1MHz-30MHz	-18 dB
30MHz-60MHz	-18+20LOG(F/30MHz) dB
60MHz-80MHz	-12 dB

CROSS TALK (TX - RX)

500kHz - 100 MHz	-35 dB MIN
------------------	------------

CM TO CM REJ

100kHz - 100 MHz	-30 dB MIN
------------------	------------

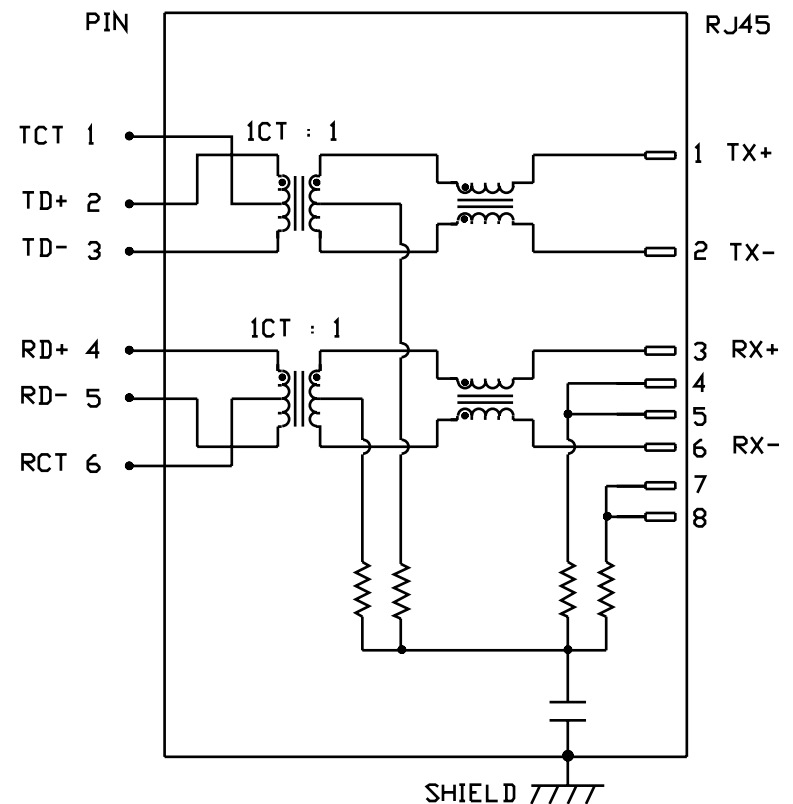
CM TO DM REJ

100kHz - 100 MHz	-35 dB MIN
------------------	------------

HIPOT (Isolation Voltage):

1500 Vrms

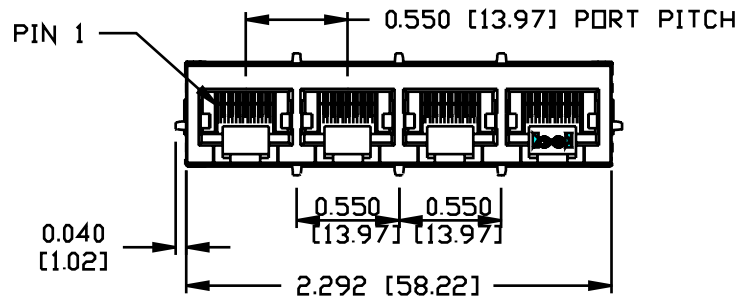
SCHEMATIC



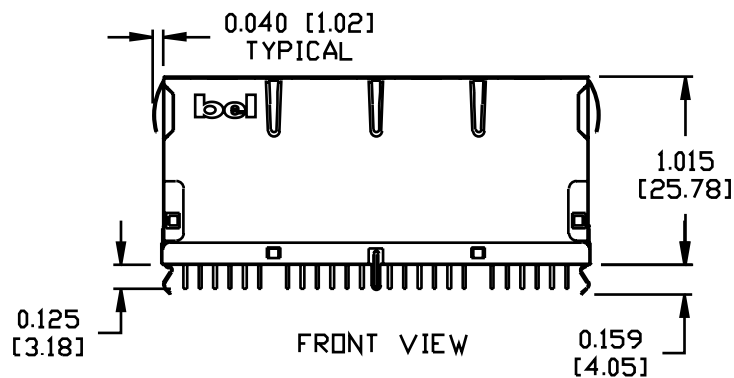
INTEGRATED CONNECTOR MODULES

V811-1X4T-06 10/100Base-TX MagJack® 1 x 4

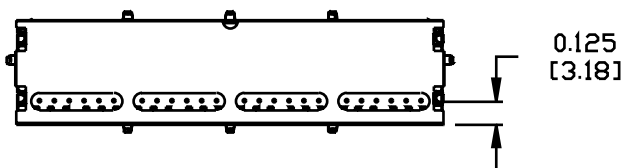
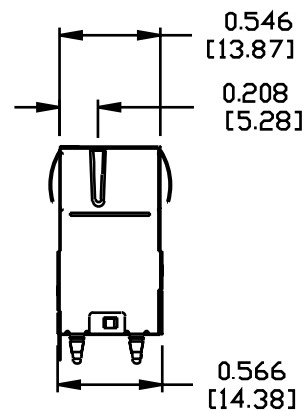
MECHANICAL SPECIFICATION



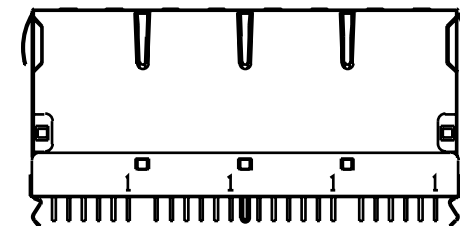
TOP VIEW



FRONT VIEW



BOTTOM VIEW



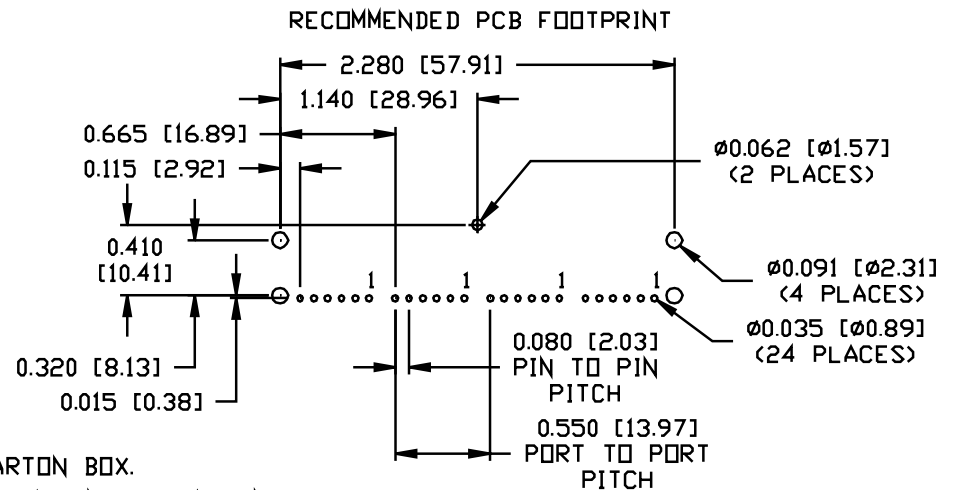
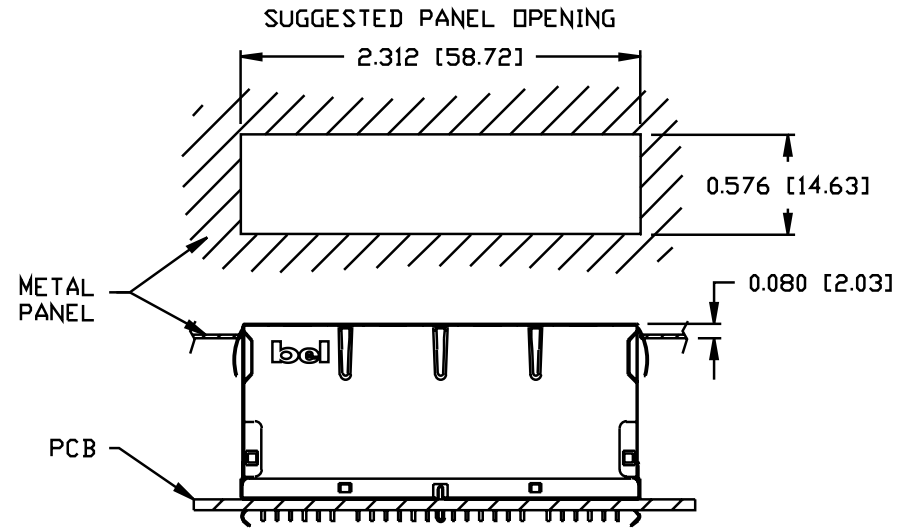
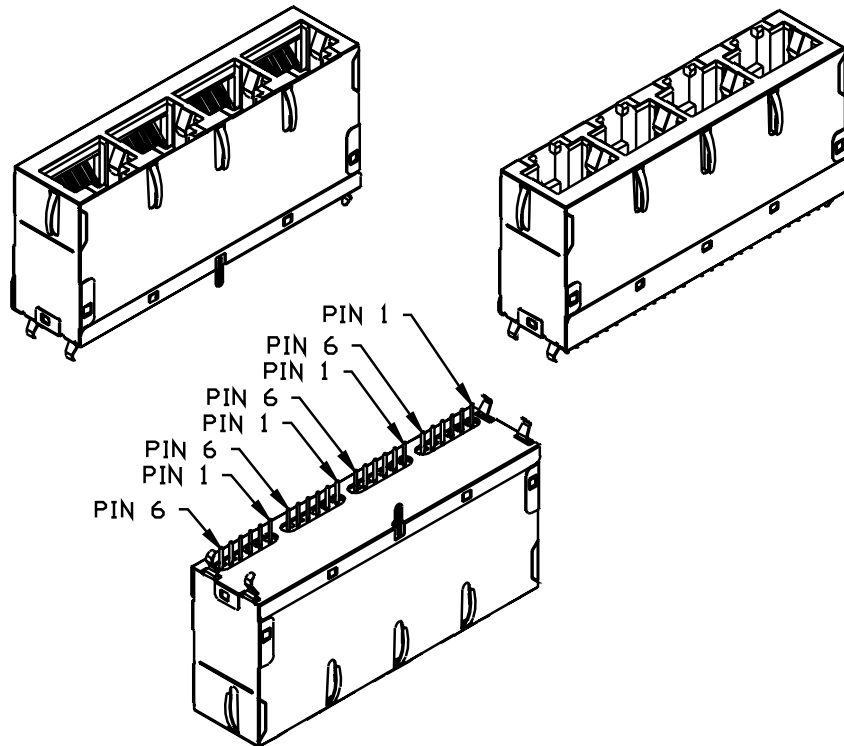
BACK VIEW

NOTES:

- | | |
|---------------------|---|
| 1. PLASTIC HOUSING: | THERMOPLASTIC PBT
FLAMMABILITY RATING UL 94V-0 |
| 2. CONTACTS: | 50 MICRO-INCH HARD GOLD PLATING |
| 3. PINS: | TIN-COATED COPPER WIRE, DIA 0.018 INCH. |
| 4. SOLDERABILITY: | PER MIL STD. 202, METHOD 208. |
| 5. METAL SHIELD: | NICKEL PLATED COPPER ALLOY. |

INTEGRATED CONNECTOR MODULES

V811-1X4T-06 10/100Base-TX MagJack® 1 x 4



PACKING INFORMATION

PACKING TRAY : 0200-0148-29 (TOP)
0200-0148-30 (BOTTOM)

PACKING QUANTITY : 25 PCS FINISHED GOOD PER TRAY
10 TRAY (250 PCS FINISHED GOOD) PER CARTON BOX.

NOTE : CARDBOARD ARE PLACED BETWEEN LAYERS OF PACKING TRAY INSIDE CARTON BOX.
(INCLUDE THE UPPER MOST AND LOWER MOST TRAY)