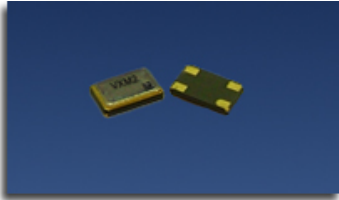

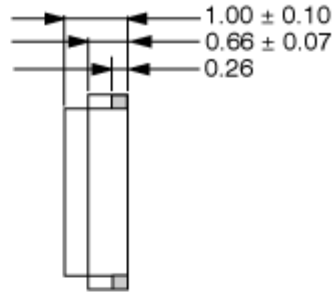
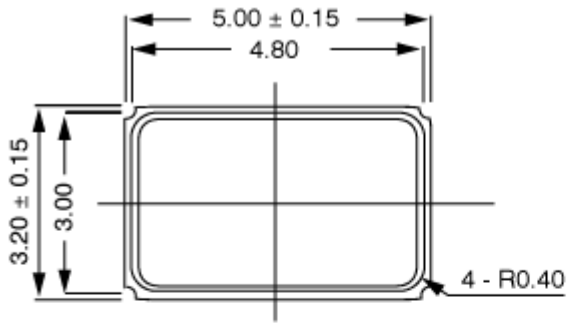


VXM2 Ultra Miniature SMD Crystals



Product is compliant to RoHS directive  and fully compatible with lead free assembly

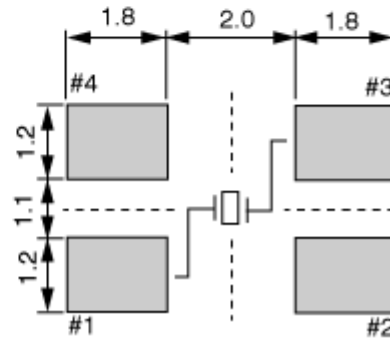
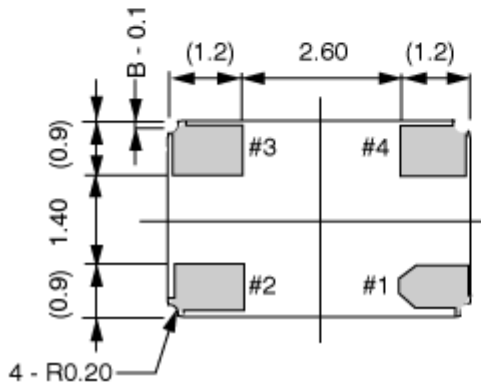
Package:	5.0 x 3.2 x 1.0 mm tall 4 pads
Frequency Range:	14.4 MHz to 45.0 MHz
Mode:	1 = Fundamental
Stability:	<p>A = ± 100 PPM from - 20°C to + 70°C</p> <p>B = ± 50 PPM from - 20°C to + 70°C</p> <p>C = ± 100 PPM from - 40°C to + 85°C</p> <p>D = ± 50 PPM from - 40°C to + 85°C</p> <p>E = ± 25 PPM from - 20°C to + 70°C</p> <p>F = ± 30 PPM from - 20°C to + 70°C</p>
Load Capacitance (CL):	<p>0 = Series Resonant</p> <p>1 = 16 pF</p> <p>2 = 20 pF</p> <p>3 = 32 pF</p> <p>4 = 18 pF</p> <p>5 = 10 pF</p> <p>6 = 30 pF</p>
STD Calibration Tolerance:	± 10 ppm at +25 ± 3°C
ESR:	60 Ohms Maximum
Shunt Capacitance (Co):	7 pF Maximum
Drive Level:	10 to 100 uW
Aging:	± 1 PPM/ year
Standard Packaging:	Tape and Reel (1000 pcs minimum)
Typical P/N:	VXM2-1B2-28M224
	<p>M2 = 5.0 x 3.2 x 1.0 mm 4 pads</p> <p>1 = Fundamental Mode</p> <p>B = ± 50 PPM -20°C to + 70°C</p> <p>2 = 20 pF load</p>



CONNECTION

- #1 : INPUT
- #2 : NC
- #3 : OUTPUT
- #4 : GROUND

TOP VIEW



267 Lowell Road
 Hudson, NH 03051 USA
 Tel: 603-578-3049 Fax: 603-578-3071
<http://www.vectron.com/>