



QEFS45M0B7.5

SMD Monolithic Crystal Filter – 45.000 MHz
Specification (Rev-A)

▣ Electrical Characteristics	P01
▣ Environmental Specifications	P01
▣ Mechanical Characteristics	P01
▣ Test Circuit	P02
▣ Marking	P02
▣ Reflow Soldering Profile.....	P02
▣ Tape & Reel.....	P03

QEFS45M0B7.5

SMD Monolithic Crystal Filter – 45.000 MHz
Specification (Rev-A)

June 30th, 2006

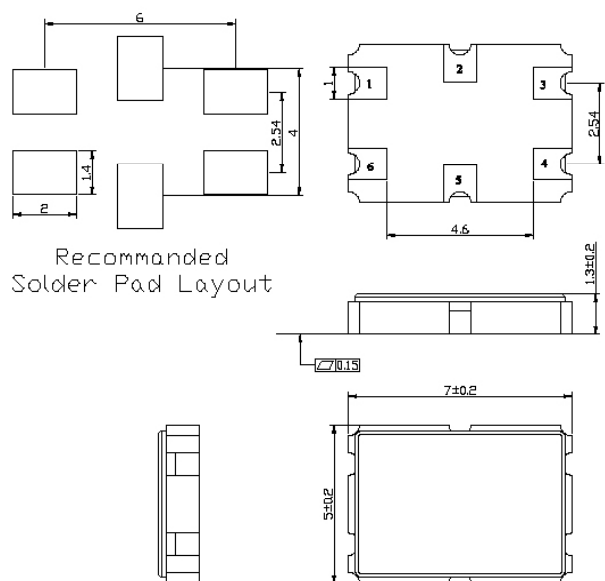
Electrical Characteristics

Electrical Parameters	Unit	Minimum	Typical	Maximum	Test conditions
Nominal Frequency	MHz		45.000		
Insertion Loss	dB			5	
Pass Band at 3.0dB	KHz	±3.75			
Ripple in pass band	dB			1	
Stop Band attenuation at 30dB	KHz			±12.5	
Terminating Impedance	KΩ//pF		330±5% // 6.0±0.2 (Cc = 16pF)	-	
Number of Poles			4 Single SMD Package		

Environmental Specifications

Electrical Parameters	Unit	Minimum	Typical	Maximum
Operating Temperature	°C	-20		+70

Mechanical Characteristics



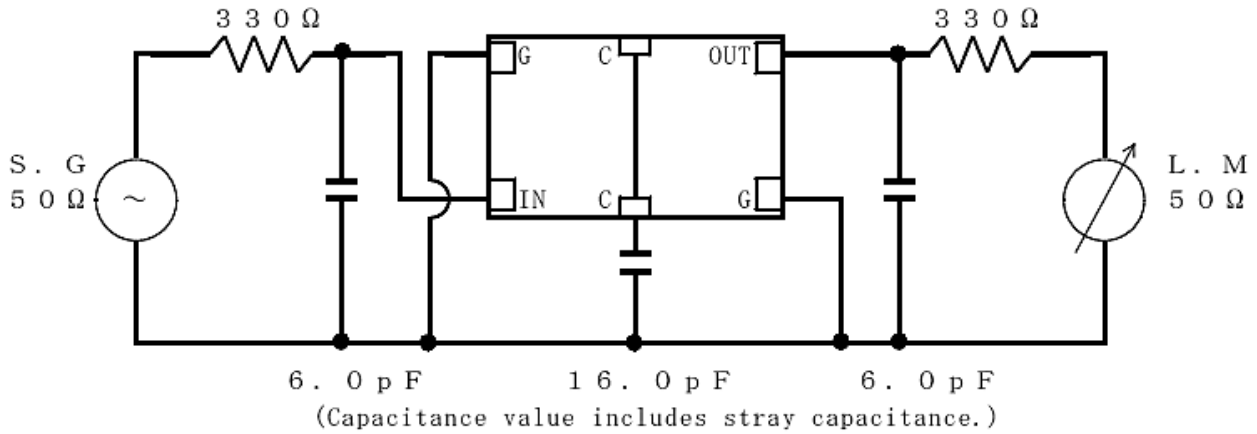
Pin Connections	
# 1	In
# 2	Coupling Capacitance
# 3	Gnd
# 4	Out
# 5	Coupling Capacitance
# 6	Gnd

QEFS45M0B7.5

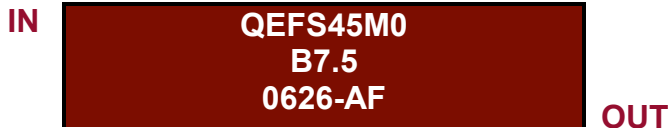
SMD Monolithic Crystal Filter – 45.000 MHz
Specification (Rev-A)

June 30th, 2006

Test Circuit 4 Poles Mono

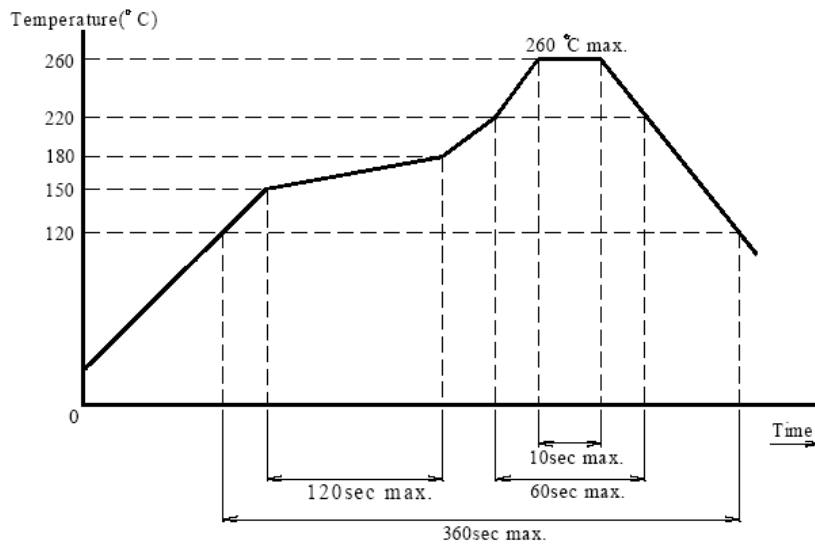


Marking



- QEFS45M0 : Temex Model
- B7.5: Passband width
- 0626: Date code (YYWW) - AF: Manuf. Code

Reflow Soldering Profile

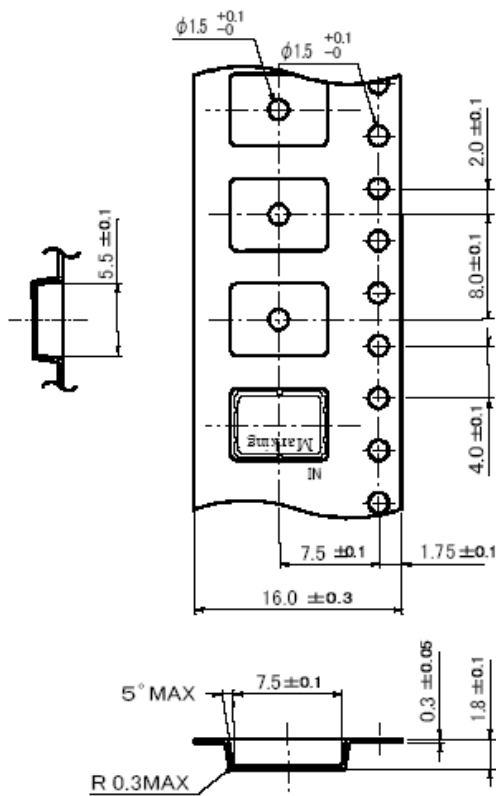


QEFS45M0B7.5

SMD Monolithic Crystal Filter – 45.000 MHz
Specification (Rev-A)

June 30th, 2006

▣ Tape & Reel



← Drawing Out Direction.

