

26-port 10/100M Smart Switch Controller

Features

- Embeds 1.5 Mb packet buffer
- Handles up to 4K MAC address entries
- Supports non-blocking wire speed operation
- Provides 24-port SS-SMII and 2-port MII
- Supports 2 ports selectable normal MII, reverse MII
- All I/O signals can operate at 3.3V or 1.8V.
- Supports up to 26 port based VLAN group
- Supports 256 levels of data rate control
- Captures BPDU, IGMP and OSPF ...packet and forward to the 26th port.
- Suppress/enable per port address learning.
- Embeds two levels of priority queues for VLAN tag, physical port and IP Differentiated Service.
- Supports flexible port trunking configuration: up to 3 groups and up to 4 ports for each group
- Embeds an internal regulator controller to simplify the system design.
- Power supply: 1.8V for core logic; optional 3.3V or 1.8V for I/O.
- 128 pin QFP package
- Adjustable I/O driving capability
- Support packet length up to 1536 Bytes
- Spanning Tree state support.
- Supports 3 kinds of port mirroring methods
- HOL blocking prevention
- Only one 25MHz crystal needed
- Broadcast storm control support
- Programmable MAC address table through 2 serial pins.
- Support Lead Free package (Please refer to the Order Information)

General Description

Supporting 24-port SS-SMII, 2-port MII and various advanced features, the IP1726 LF fits both the office switch and the ETTH(Ethernet to the Home) application. The IP1726 LF embeds internal SSRAM for the use of the packet buffer and the MAC address table. Besides the traditional switch functions, the IP1726 LF provides the easy-to-design solution, fitting the requirement of most switch application.

The IP1726 LF also supports some features which can simplify the customer's design from the viewpoint of the system. The embedded regulator controller can reduce the component number on the system board. The web management can be easily accomplished by adding an external CPU with protocol stack. All the I/O pins can operate at 3.3V or 1.8V, providing more design flexibility for power supply distribution.

The IP1726 LF embeds 1.5Mb internal packet buffer and stores up to 4K MAC address entries, making it suitable for the generic switch application. In addition, the IP1726 LF supports a wide range of data rate for both egress and ingress, which is useful in the ETTH(Ethernet to the Home) application. The higher layer data packet such as BPDU, IGMP, OSPF can be forwarded to either the 25th or 26th (CPU) port. The flexible trunk configuration allows the user to scale the switch interconnection bandwidth. When the port mirroring function is enabled, the data traffic on the source port will be forwarded to a specified destination port, making the switch administration easier. Supporting up to 26 port based VLAN groups, the IP1726 LF can be configured to fit various traffic partitions. The CoS function is accomplished by configuring the priority of the physical port, the 802.1Q VLAN tag and IP DSCP(Differentiated Service Code Point). In order to fit the application of some special environment, the address learning and the MAC address table aging can be disabled.



Table Of Contents

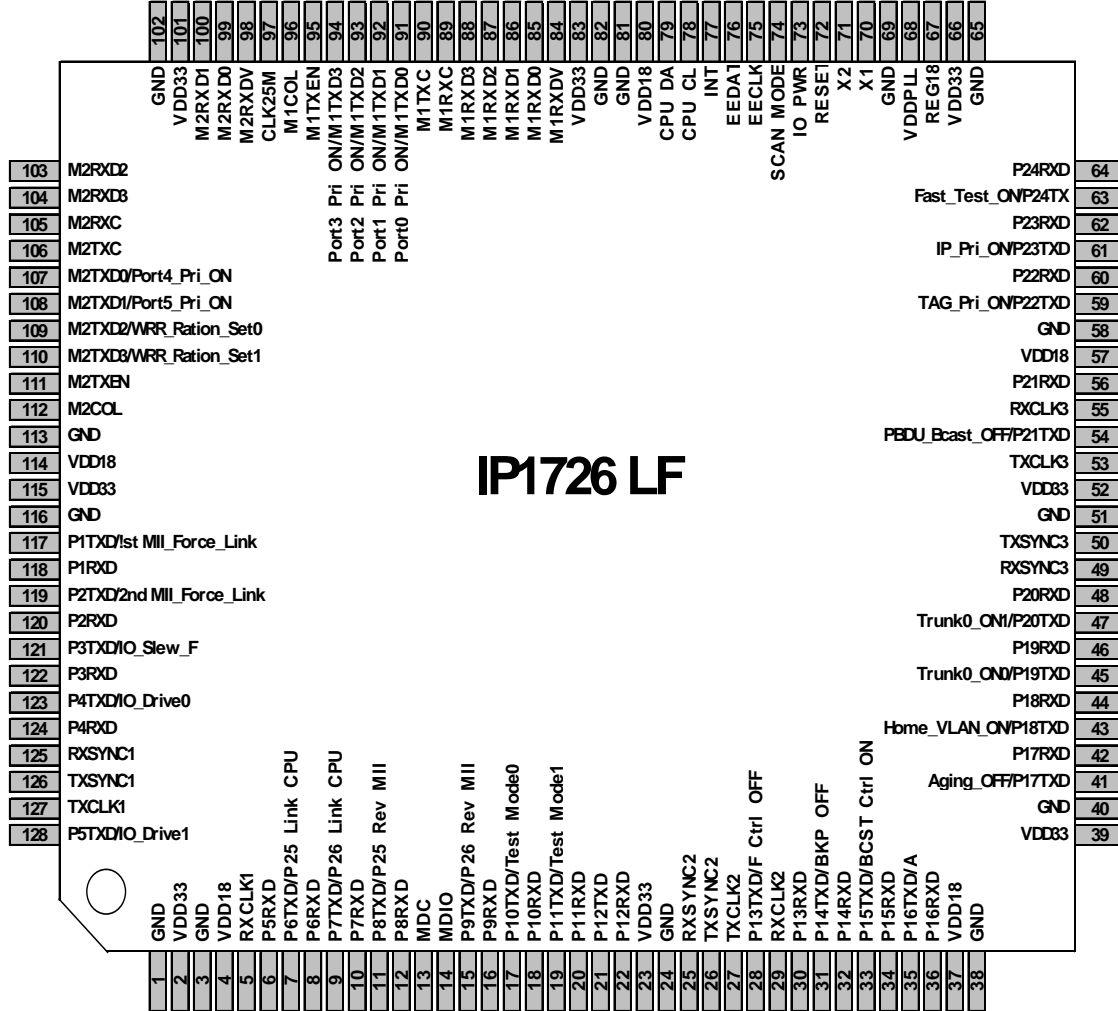
Features.....	1
General Description.....	1
Table Of Contents.....	2
Revision History.....	3
1 Pin Diagram.....	4
2 Block Diagram.....	5
3 Pin description.....	6
Pin description (continued).....	7
Pin description (continued).....	8
Pin description (continued).....	10
4 Functional Description.....	11
4.1 Medium Access Control(MAC).....	11
4.1.1 Data Rate Control.....	11
4.1.2 Flow Control.....	11
4.2 Switch Engine and Queue Management.....	12
4.2.1 Store & Forward Mechanism.....	12
4.2.2 Address Learning and aging time.....	12
4.2.3 Class of Service.....	12
4.2.4 Port_based VLAN.....	13
4.2.5 Trunk Channel.....	14
4.2.6 Port Mirroring.....	14
4.2.7 Queue Management.....	14
4.2.8 Broadcast Storm Control.....	15
4.2.9 Handling the Higher Layer Protocol.....	15
4.2.10 Port Security.....	15
5 System Operation.....	16
5.1 Reset and EEPROM Download Procedure.....	16
5.2 Polling/Writing the PHY.....	16
5.3 Programming the Internal Registers.....	17
5.4 SS-SMII.....	17
6 Register Map.....	19
7 Electrical Characteristics.....	28
7.1 Absolute Maximum Rating.....	28
7.2 AC Characteristics.....	28
7.3 DC Characteristics.....	31
8 Order Information.....	32
9 Package Detail.....	33



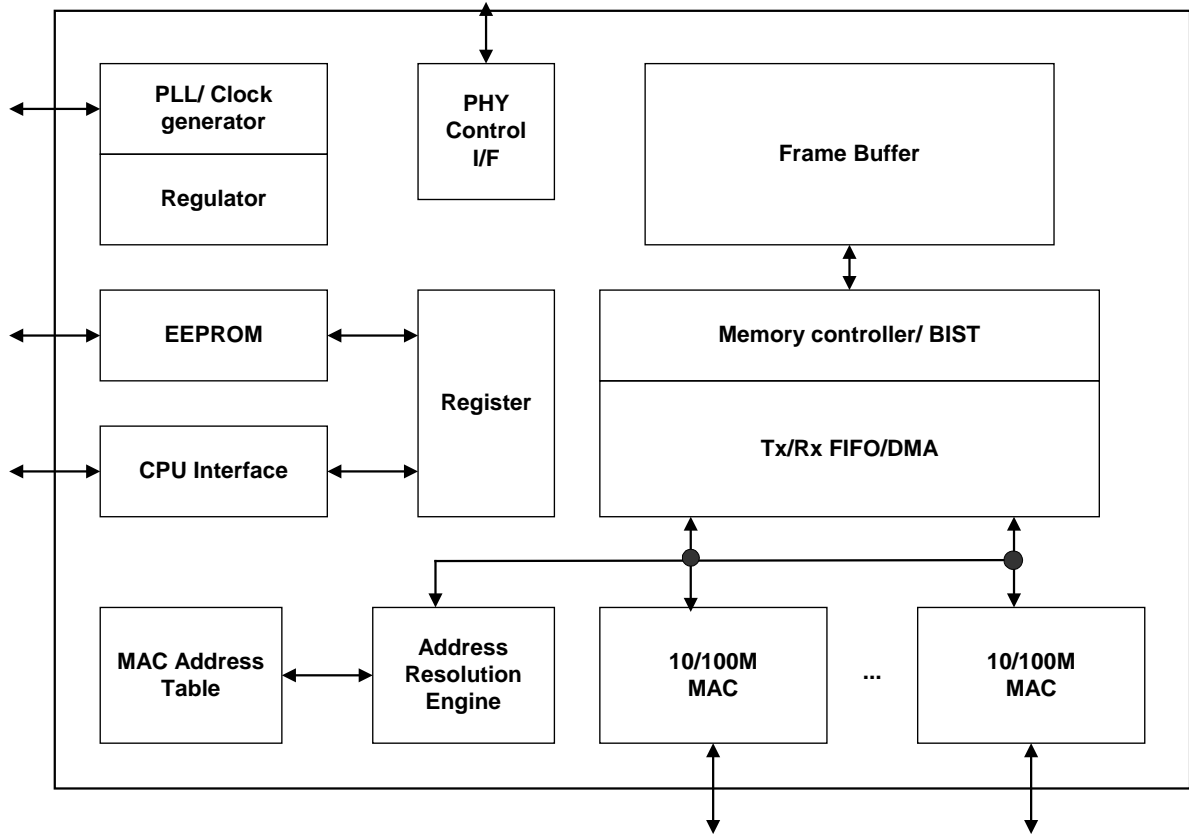
Revision History

Revision #	Change Description
IP1726 LF-DS-R01	Initial release.
IP1726 LF-DS-R02	Revise the pin diagram. Revise the pin description. Revise the register description.
IP1726 LF-DS-R03	Revise the feature. Revise pin 21, pin 43, pin 47, pin 45, pin 63, pin 79, pin 74 in pin description. Add MDC, MDIO to pin description. Rename MII port 1 to 1st MII (port 25) and MII port 2 to 2nd MII (port 26). Revise data rate control section, the baroadcast storm control section and handling the higher layer proocol section. Functions for pin 117 & pin 119 are re-defined. The register 2 description is revised. Revise the timing chart of the SCPUIO and SCPUC.
IP1726 LF-DS-R04	Revise the pin diagram. Revise the pin description for pin 89, pin 90, pin 105, and pin 106.
IP1726 LF-DS-R05	Add the order information for lead free package.
IP1726 LF-DS-R06	Modify the pin description of pin 107, pin 108, pin 109, pin 110, pin 111 and pin 112. For CoS hardware setting.

1 Pin Diagram



2 Block Diagram





3 Pin description

Type	Description
P	Positive power or ground
I; O	I: Input pin; O:Output pin
IL	Input latched upon reset

Type	Description
PD,	PD:Pulled down with internal resistor
PU	PU:Pulled up with internal resistor
I/O	Bi-direction Input/Output

Pin No.	Label	Type	Description
SS-SMII			
117, 119 121, 123, 128, 7, 9, 11, 15, 17, 19, 21, 28, 31, 33, 35, 41, 43, 45, 47, 54, 59, 61, 63	P1TXD, P2TXD, P3TXD, P4TXD, P5TXD, P6TXD, P7TXD, P8TXD, P9TXD, P10TXD, P11TXD, P12TXD, P13TXD, P14TXD, P15TXD, P16TXD, P17TXD, P18TXD, P19TXD, P20TXD, P21TXD, P22TXD, P23TXD, P24TXD	O	SS-SMII transmit data output for port 1 to port 24.
126, 26, 50	TXSYNC1, TXSYNC2, TXSYNC3	O	SS-SMII synchronization output for transmit data
127, 27, 53	TXCLK1, TXCLK2, TXCLK3	O	SS-SMII transmit clock output
118, 120, 122, 124, 6, 8, 10, 12, 16, 18, 20, 22, 30, 32, 34, 36, 42, 44, 46, 48, 56, 60, 62, 64	P1RXD, P2RXD, P3RXD, P4RXD, P5RXD, P6RXD, P7RXD, P8RXD, P9RXD, P10RXD, P11RXD, P12RXD, P13RXD, P14RXD, P15RXD, P16RXD, P17RXD, P18RXD, P19RXD, P20RXD, P21RXD, P22RXD, P23RXD, P24RXD	I	SS-SMII receive data input
125, 25, 49	RXSYNC1, RXSYNC2, RXSYNC3	I	SS-SMII receive synchronization input
5, 29, 55	RXCLK1, RXCLK2, RXCLK3	I	SS-SMII receive clock input



Pin description (continued)

Pin No.	Label	Type	Description
MII/Reverse MII			
95	M1TXEN	O	1st MII (port 25) transmit enable
94, 93, 92, 91	M1TXD[3:0]	O	1st MII (port 25) transmit data output
84	M1RXDV	I	1st MII (port 25) receive valid
88, 87, 86, 85	M1RXD[3:0]	I	1st MII (port 25) receive data input
90	M1TXC	I/O	1st MII (port 25) transmit clock. Input for normal (MAC mode) MII. Output for reverse (PHY mode) MII
89	M1RXC	I/O	1st MII (port 25) receive clock. Input for normal (MAC mode) MII. Output for reverse (PHY mode) MII.
111	M2TXEN	O	2nd MII (port 26) transmit enable
110, 109, 108, 107	M2TXD[3:0]	O	2nd MII (port 26) transmit data output
98	M2RXDV	I	2nd MII (port 26) receive valid
104, 103, 100, 99	M2RXD[3:0]	I	2nd MII (port 26) receive data input
106	M2TXC	I/O	2nd MII (port 26) transmit clock. Input for normal (MAC mode) MII. Output for reverse (PHY mode) MII
105	M2RXC	I/O	2nd MII (port 26) receive clock. Input for normal (MAC mode) MII. Output for reverse (PHY mode) MII.
112	M2COL	I/O	2nd MII (port 26) collision input. Input for normal MII Output for reverse MII
13	MDC	O	Clock for serial management bus. It's recommended to add a 30pf capacitor to ground for noise filtering.
14	MDIO	I/O	I/O data for serial management bus. It's recommended to add a 4.7K pull up resistor connecting to VDD and a 30pf capacitor connecting to ground.
Miscellaneous			
70	X1/OSCI	I	Crystal/ Oscillator 25MHz input
71	X2	O	Crystal output
72	RESETB	I	System reset (low active). Should be kept at "low" for at least 10 microseconds.
75	SCL	O, PU	Serial EEPROM clock output
76	SDA	I/O, PU	Serial EEPROM data
78	SCPUC	I, PU	Serial CPU access clock input. Please see the section of "Programming the Internal Register" for the usage of SCPUC and SCPUIO.
79	SCPUIO	I/O, PU	Serial CPU data
77	INTB	O, PU	Interrupt output. Active low.
74	TEST	O, PD	Test mode control. Keep this pin unconnected for normal operation.
73	IO_PWR	I	Power selection for I/O pad. 0:1.8V; 1:3.3V.



67	REG18	O	1.8V regulator control. This pin can be connected to the base of the PNP transistor to generate the 1.8V power.
----	-------	---	---

Pin description (continued)

Pin No.	Label	Type	Description
Power & Ground			
68	VDDPLL	P	1.8V Power for PLL
69	GNDPLL	P	Ground for PLL
4,37,57,80,114	VDD18	P	1.8V Power for Core circuit
3,38,58,81,113	GND18	P	Ground for core circuit
2,23,39,52,66,83,101,115	VDD33	P	3.3/1.8V Power for I/O PAD
1,24,40,51,65,82,102,116	GND33	P	Ground for I/O PAD
Power On setting. These pins' state will be latched upon reset			
117	1st MII_Force_Link	IL, PU	This pin is pulled up internally. Connecting a pull down resistor to this pin will force the 1st MII linking to the external device regardless of the PHY polling status,
119	2nd MII_Force_Link	IL, PU	This pin is pulled up internally. Connecting a pull down resistor to this pin will force the 2nd MII linking to the external device regardless of the PHY polling status,
121	IO_SLEW	IL, PD	Output PAD slew rate setting. 1: fast, 0: normal (Default)
128, 123	IO_DRIVE[1:0]	IL, PD	Output PAD driving current capability 00 : 4mA (Default) 01 : 8mA 10 : 12mA 11 : 16mA
7	P25_LINK_CPU	IL, PD	1st MII (port 25) linked to CPU. 1: 1st MII is connected to CPU. 0: 1st MII is the normal port (Default)
9	P26_LINK_CPU	IL, PD	2nd MII (port 26) linked to CPU. 1:2nd MII is connected to CPU. 0: 2nd MII is the normal port (Default)
11	P25_REV_MII	IL, PD	1st MII (port 25) is reverse MII interface 1: Reverse MII; 0:Normal MII (Default).
15	P26_REV_MII	IL, PD	2nd MII (port 26) is reverse MII interface. 1: Reverse MII; 0:Normal MII (Default).
19,17	TEST_MODE[1:0]	IL, PD	Reserved for IC test.
21	IPG_COMP_EN	IL, PD	Transmit IPG compensation (+80ppm) 1: Enable; 0: Disable (Default)
28	FCTRL_OFF	IL, PD	Disable the full duplex flow control of all ports 1: Disable; 0: Enable (Default)
31	BKP_OFF	IL, PD	Disable the half duplex backpressure control of all ports. 1: Disable; 0: Enable (Default).



33	BCST_CTRL_EN	IL, PD	Enable the broadcast storm control 1: Enable; 0: Disable (Default)
35	AUTO_OFF_FC	IL, PD	1: Auto turn off the flow control, when the flow control and the priority is enabled. 0: Flow control works normally (Default)



Pin description (continued)

Pin No.	Label	Type	Description
Power On setting. These pins will be latched upon reset (continued)			
41	AGING_OFF	IL, PD	Disable the MAC address table aging function 1: Disabled; 0: Enabled (Default)
43	HOME_VLAN_EN	IL, PD	1: Enable the home VLAN setting : Port 1 ~ Port24 are all individual VLAN shared with 2 MII ports. For example, Port 1, port 25 and port 26 form a VLAN group, etc. 1: Enabled; 0: Disabled (Default)
47, 45	TRUNK_0_ON[1:0]	IL, PD	The trunk group 0 setting: 00 : no trunk (Default) 01 : port 1, 2 trunk-grouped 10 : port 1, 2, 3 trunk-grouped 11 : port 1, 2, 3, 4 trunk-grouped
54	BPDU_BCST_OFF	IL, PD	Filter the packet with MAC destination address 01-80-c2-00-00-03~01-80-c2-00-00-0F 0 : Broadcast (Default) 1 : Filter
59	TAG_PRI_ON	IL, PD	Enable 802.1Q TAG priority function of all ports 1:Enabled; 0: Disabled (Default)
61	IP_PRI_ON	IL, PD	Enable IP TOS/DS priority function of all ports 1: Enable; 0: Disable (Default)
63	FAST_TEST_MODE	IL, PD	Reserved for IC test.
108,107,94,93, 92,91	PORT_PRI_ON[5:0]	IL, PD	Enable port base high priority function of port 1~ port 6 1: Enable; 0: Disable (Default)
110,109	WRR_RATIO_SET[1:0]	IL, PD	The ratio of the packet number for the weighted round robin. The switch engine handles both priority queues based on the ratio of the packet number defined below. 00 : First in first out (Default) 01 : 2/1 10 : 4/1 11 : 8/1 When these bits are set to "00", the CoS priority will be void.
50, 26, 126	DELAY_SSSMII[2:0]	IL, PD	The delay time of SS-SMII transmit data delay_sssmii[0] : port 1~ port 8 delay_sssmii[1] : port 9~ port 16 delay_sssmii[2] : port 17~ port 24 1: 4ns delay; 0: no delay(Default)

Note:

1. All the trapped pins are latched upon reset and are pulled down or pulled up by a 50K resistor inside the chip.
2. The designer can connect a 4.7K ohms resistor to set these pins to "1" or "0" to change the default state.
3. The content of an EEPROM will override the pin setting.

4 Functional Description

4.1 Medium Access Control(MAC)

4.1.1 Data Rate Control

The IP1726 LF implements a sophisticated data rate control mechanism, which is very useful for the bandwidth-limited network. By controlling both the ingress data rate and the egress data rate, the IP1726 LF provides a variety of the bandwidth configuration.

By means of calculating the maximum TX/RX byte number in a time unit of the corresponding port, the IP1726 LF provides a precise bandwidth control mechanism. The formula for calculating the maximum byte during a time unit is:

$$M.B.N = S.D.R * 512$$

Where M.B.N stands for the maximum byte number; S.D.R the specified data rate.

The time unit is 10ms at 100 Mbps speed and 100ms at 10Mbps speed.

The data rate for each port is specified in registers ranging from 03H to 1CH.

If the transmit/receive byte number reaches the specified M.B.N after the transmit/receive timer expires, the MAC will continue the operation until the whole data packet is transmitted/received and then wait until the next time unit starts.

For example, if the value set to register 06H is 12H(18 in decimal) and the port 1 runs at 100Mbps speed, the maximum byte number allowed to transmit through port 1 is 9216 bytes(the result of 512*18) within 10ms(1,000,000 bit time). 9216 bytes stands for 73,728 bit time. The flow control mechanism will be activated for the spare time. Thus the data rate can be limited to a specified value.

4.1.2 Flow Control

The IP1726 LF embeds the flow control mechanism for both full duplex mode and half duplex mode. When the buffer reach a pre-defined level, the transmit MAC will generate the flow control pattern to prevent the buffer overflow. These flow control patterns are dependent on the duplex mode. The IP1726 LF transmit MAC generates the backpressure pattern in half duplex mode and the 802.3x pause packet in full duplex mode.

When operating in half duplex mode, the IP1726 LF should comply with CSMA/CD standard. The transmit MAC will generate the jam pattern to inform the link partner that the receive buffer is not available when the buffer reaches a pre-defined level. The IP1726 LF supports the collision_based backpressure. When the collision_based backpressure is enabled, the transmit MAC of the IP1726 LF will generate the jam pattern only when the link partner is transmitting data and the buffer is not available. When detecting the collision on line, the link partner will back off the transmission and then wait until the back off time expires.

The IP1726 LF uses 802.3x pause packet to accomplish the flow control for full duplex mode. When the buffer reach a pre-defined level, the transmit MAC generates a Xoff pause packet immediately or right after the current packet has been transmitted. When receiving a pause packet, the link partner will stop the transmission for a time period according to the pause value carried by the pause packet, preventing the internal buffer from overrun.

4.2 Switch Engine and Queue Management

4.2.1 Store & Forward Mechanism

The IP1726 LF utilizes the “store & forward” method to handle the switch engine. Each data packet will not be forwarded to the destination port until the entire packet is received. The internal mechanism will check whether the packet is correct. The data packet will be forwarded to the destination port if the packet is correct; otherwise it will be discarded.

Besides the erroneous packet and the 802.3x pause packet are not forwarded. The 802.1D Reserved Group packet with 01-80-c2-00-00-03 ~ 01-80-c2-00-00-0F MAC address can be optionally dropped by setting pin 54 or register 01H.

4.2.2 Address Learning and aging time

The address learning function for each port can be either disabled or enabled by setting the corresponding bit in registers 31H and 32H. The overall MAC address capacity is 4096. The aging time can be programmed according to the system requirement, ranging from 30sec to 8400sec +-6.7%.

The IP1726 LF provides two kinds of hash method to store the MAC address table. One is the direct mapping and the other is the CRC-12 algorithm. When the direct mapping method is selected, the IP1726 LF recognizes the least significant 12 bits of the source MAC address. When the CRC-12 algorithm is used, the IP1726 LF executes the following equation to decide the address of the MAC address table.

CRC-12 equation: $X^{12}+X^{11}+X^3+X^2+X+1$

Some source MAC address will be excluded in MAC address table. These data packets are:

- Erroneous packet
- 802.3x pause packet
- 802.1D Reserved Group packet
- Multicast source MAC address

4.2.3 Class of Service

The IP1726 LF implements two levels of priority queues, high priority and low priority. The priority for each data packet is based on one of the following schemes: 802.1Q VLAN tag, IP TOS/DS or physical port. Each incoming data packet can be mapped to either one priority. When no CoS function is enabled, the first-in first-out forwarding method is used.

When the CoS for 802.1Q VLAN tag is enabled, the IP1726 LF will recognize 3 bits of precedence carried by the VLAN tag and map it to the specified priority. The data precedence 0 to 3 will be treated as low priority packet, and the packet with other values will be stored in high priority queue. Setting register 25H and 26H to “1” will enable the CoS function for the corresponding port. The LSB of both registers controls the lowest port ID for that group. For example, the bit 0 of register 25H corresponds to port 1.

The IP1726 LF provides the IP layer CoS function by recognizing the DSCP(Differentiated Service Code Point) Octet and mapping it to the specified priority. For IPv4 packet, DSCP is embedded in the TOS(type of Service) Octet. For a IPv6 data packet, the Traffic Class Octet can be used to differentiate the Class of Service. When this function is enabled, the IP1726 LF will automatically recognize the IP version and capture the either the TOS field(IPv4) or Traffic Class(IPv6). The following tables show the location of DSCP in a packet.

Destination MAC Address(6 bytes)	Source MAC Address(6 bytes)	0800H	IP version = 0100b(4 bits)	IHL(4 bits)	TOS(8 bits). IP1726 LF maps TOS[5:0] to 2 levels of
----------------------------------	-----------------------------	-------	----------------------------	-------------	--



					priority.
--	--	--	--	--	-----------

Table 4.1 IPv4 Data Format

Destination MAC Address(6 bytes)	Source MAC Address(6 bytes)	0800H	IP version = 0110b(4 bits)	Traffic Class(8 bits). IP1726 LF maps TC[5:0] to 2 levels of priority.
----------------------------------	-----------------------------	-------	----------------------------	--

Table 4.2 IPv6 Data Format

	High Priority	Low Priority
802.1Q VLAN tag Precedence	3'b100 ~ 3'b111	3'b000 ~ 3'b011
IPv6 Traffic Class Field & IPv4 TOS	6'b101110; 6'b001010; 6'b010010; 6'b011010; 6'b100010; 6'b11x000	Other values

Table 4.3 Forwarding Priority for IP DS and 802.1Q VLAN tag

The IP TOS/DS priority configuration can be set through enabling the corresponding register, ranging from 27H to 28H.

The port based priority only concerns the physical port location in a switch. By enabling the CoS function of the corresponding bit in registers 23H and 24H, the IP1726 LF can set each physical port to a “high” priority.

Please note that for those three CoS functions, the LSB (Least Significant Bit) of the registers corresponds to the low physical port number for that group.

A data packet dropping mechanism is implemented to prevent the buffer from overrun. Once the packet buffer reach a specified level, the data packet assigned to the low priority will be dropped to reserve the buffer space for the high priority data packet.

When multiple CoS schemes are enabled, the data packet is treated as the high priority as long as any one of three CoS schemes is mapped to “high”.

Take the following example for detailed explanation.

If port 3 is set as a low priority port and it receives a data packet which embeds VLAN tag with high priority and IP DS field with low priority, this data packet will be forwarded in a high priority. In the other word, the priority of a data packet would be set to high if any of three CoS schemes is interpreted as the high priority.

4.2.4 Port_based VLAN

The IP1726 LF provides various port_based VLAN configurations. The overall number of VALN groups that the IP1726 LF can support is 26. The IP1726 LF implements two registers to describe the routing table for each port. Thus the total number of registers which defines the port_based VLAN is 52.

Take the following example for the detailed description. The data incoming from port 1 will be forwarded to the corresponding port defined in register 34H and 35H. Similarly, the forwarding rule for the data incoming from port 2 will refer to the register 36H and 37H.

Note: The port ID is counted from 1 to 26.

4.2.5 Trunk Channel

Supporting up to 3 trunk channels, the IP1726 LF provides a versatile configurations that fit many applications. Each trunk channel may comprise 2 to 4 ports. The traffic of the destination port passing through the trunk channel is defined by the registers 68H to 6AH. The hash algorithm from which the IP1726 LF derives the trunk ID is specified by registers 2FH. The result calculated by the hash algorithm is mapped to the trunk ID. A physical port can forward the trunk traffic only when the trunk ID decided by hash algorithm matches the setting of the Trunk Configuration register. The following table describes the traffic distribution rule.

The Behavior for Each Port in a Trunk

Result of the Hash Algorithm	Trunk Channel Configuration	Behavior of the Member of Trunk
2'b00	4'bXXX1	Forward the data through the first port of this group
	4'bXXX0	Do not forward the data through the first port of this group
2'b01	4'bXX1X	Forward the data through the second port of this group
	4'bXX0X	Do not forward the data through the second port of this group
2'b10	4'bX1XX	Forward the data through the third port of this group
	4'bX0XX	Do not forward the data through the third 7 port of this group
2'b11	4'b1XXXX	Forward the data through the fourth port of this group
	4'b0XXXX	Do not forward the data through the fourth port of this group

There are four ports for each trunk and each port can be configured to fit the trunk traffic as depicted above.

4.2.6 Port Mirroring

There are some circumstances that the network administrator requires to monitor the network status. The port mirroring function can help the network administrator diagnose the network.

A port mirroring function can be accomplished by assigning a monitored port(source port) and a snooping port (destination port). The IP1726 LF supports three kinds of mirroring methods: the ingress, the egress and ingress plus egress. This function can be enabled by programming the corresponding bit in registers 6BH to 6DH.

Registers 6BH and 6CH defined the port which will be monitored(mirroring source). The register 6DH specifies the port which will snoop(mirroring destination) and the mirroring method.

4.2.7 Queue Management

The IP1726 LF supports three kinds of priority management: The first in first out, the strict priority and the weighted-round-robin.

The first in first out method will override the CoS setting and is not recommended when the CoS function is enabled. When the strict priority is enabled, the data packets stored in low priority queue will not be sent out until all data packets in high priority queue are sent out. When the weighted round robin function is enabled, the IP1726 LF will send the data packet in an order switching between high priority queue and low priority queue with ratio defined by pin 109,110 setting (without EEPROM) or Register 2CH(with EEPROM/CPU)

4.2.8 Broadcast Storm Control

To prevent the broadcast storm, the IP1726 LF implement a broadcast storm control mechanism. When this function is enabled, the IP1726 LF will monitor the number of the broadcast packet and take the proper action to prevent the broadcast packet from reaching the pre-defined buffer level. The behavior of handling the broadcast packet is dependent on the operating mode of the IP1726 LF.

- Drop the broadcast packet when the flow control is disabled

4.2.9 Handling the Higher Layer Protocol

The IP1726 LF can handle two categories of data packet, the configuration related and the TCP/IP related. The configuration-related protocol concerns the network configuration such as, the VLAN group, the link aggregation and the spanning tree. Unlike the configuration-related protocol, the TCP/IP related data has nothing to do with the network.

Four forwarding schemes can be selected to handle the protocol mentioned above, dropping the packet, sending to a specified port(commonly connected to a CPU), and broadcasting to all ports. The protocol handling scheme is programmed by writing the corresponding bit in register 02H.

4.2.10 Port Security

In some cases, it is required to disable the address learning mechanism and specify the MAC address. This function is useful for the application which will prevent the unauthorized user from intruding the network. The typical application is the Ethernet to the Home(ETTH).

Programming the registers 31H and 32H will enable/disable the address learning function. The LSB of the register 31H corresponds port 1.

The register 33H handles the forwarding rule. A data packet will be either forwarded or dropped depending on the setting of this register.

5 System Operation

5.1 Reset and EEPROM Download Procedure

The reset input should be kept at “0” for more than 1.6 microsecond after power up. After detecting the rising edge of reset input, the IP1726 LF will start downloading the content of EEPROM(acting like an EEPROM master).

The internal register address of the IP1726 LF should comply with the address of EEPROM. Being an EEPROM master, the IP1726 LF will download the content of EEPROM with EEPROM ID “1726H”.

The mapping relationship between the IP1726 LF registers and the EEPROM address are depicted as the following table.

EEPROM address	EEPROM content	IP1726 LF Register
00H	17H	XX
01H	26H	XX
02H	Expected value	01H[15:8]
03H	Expected value	01H[7:0]
04H	Expected value	02H[15:8]
05H	Expected value	02H[7:0]
•••••	•••••	•••••
•••••	•••••	•••••
FCH	Expected value	7EH[15:8]
FDH	Expected value	7EH[8:0]

Note:

1. The EEPROM ID should be set to “3'b000”; i.e. A2=0; A1=0; A0=0
2. The IP1726 LF download the content of the EEPROM ranging from address 00H to FDH; i.e. the register beyond this range is not recognized by the IP1726 LF.
3. The ID for IP1726 LF recognition should be set at address 00H and address 01H as stated in the table.

5.2 Polling/Writing the PHY

The IP1726 LF periodically, around 2.8ms for each access cycle, read the status of the PHY through MDC, MDIO management signals. The PHY registers that will be read/write are 0, 1, 4 and 5. After reading the PHY status, the IP1726 LF will reconfigure the internal MAC to meet the operating mode of the PHY.

The relationship between the port ID and the PHY ID is shown below.

IP1726 LF Port ID	Port 1 to Port 24	Port 25	Port 26
PHY ID	address 8 to address 31	address 4	address 5
Comment	The smallest ID of the IP1726 LF corresponds to the smallest PHY ID.		

Table 5.1 The Relationship between PHY ID and the IP1726 LF Port ID

The IP1726 LF can be enforced to run at a specified mode without referring to the PHY status. When enforced, the IP1726 LF will write the forced mode to the corresponding PHY through MDC/MDIO and poll the link status of PHY. Care should be taken that the operating mode in both MAC side and PHY side should be consistent.

By programming the register 80H and 81H, the user can easily set the PHY register to a specified value. Since the MDC runs at 2.5 Mhz clock speed, the CPU should check whether the current command has been completed or not before issuing the next command. Bit 13 in the register 80H indicates the progress of the read/write operation.

5.3 Programming the Internal Registers

There is no need to program the register of the IP1726 LF for the generic application. However it's probably necessary to program the internal register to fit some special applications. The interface between the IP1726 LF and the CPU is a serial bus which comprises a clock and a I/O signal. Like the access cycle of the serial management interface, the serial interface comprises the device ID, the read/write command, the address and the data. The access cycle is depicted as below.

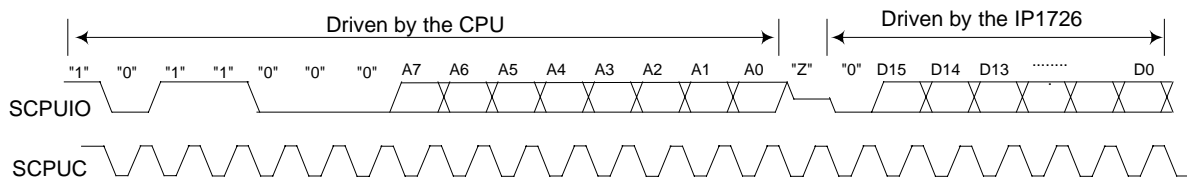


Fig. 5.1 The CPU read data from the IP1726

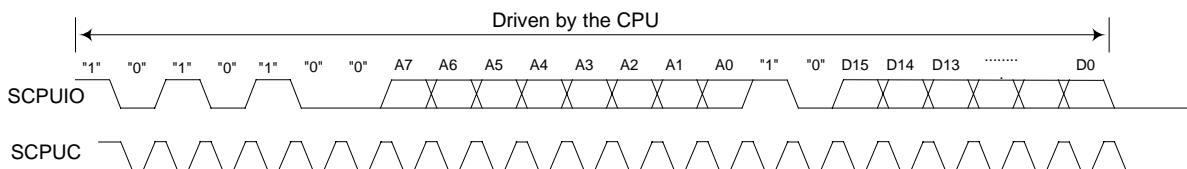


Fig. 5.2 The CPU write data to the IP1726

The access cycle is much like the access cycle of MDC, MDIO. Care should be taken that the switch ID is 2-bit wide rather than 5-bit wide.

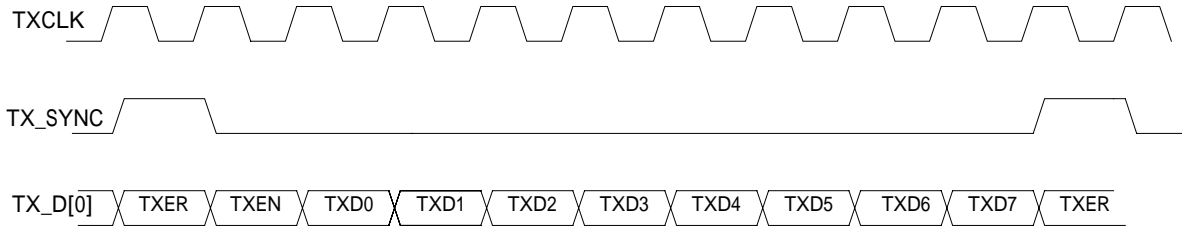
5.4 SS-SMII

The transmitter of the MAC transfers the transmit data to the PHY at the rising edge of TXCLK and the TXSYNC indicates the start of the 10-bit frame. By recognizing the high pulse of the TXSYNC, the PHY can capture the correct transmit data stream. The PHY transfers the receive data to the IP1726 LF in a similar way. The difference is that the signal direction is reverse.

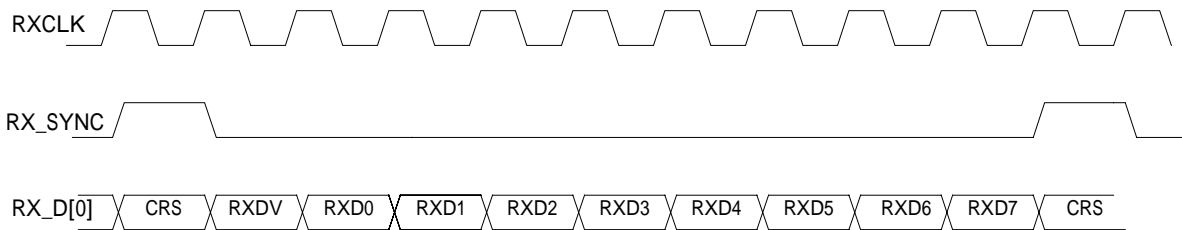
Accompanied by the high pulse of TXSYNC, the TXEN status is present on the TXDATA pin and then the TX-ER status and finally 8-bit data. For the RX part of SS-SMII, the CRS(Carrier Sense) status is present on the RXDATA during the high pulse of RXSYNC. The RX_DV(receive data valid) status follows CRS and finally the 8-bit data.

For a given PHY port, the SS-SMII consists of six signals.
RXDATA-one bit data for receiver

TXDATA- one bit data for transmitter
TXSYNC- This signal is driven by MAC.
RXSYNC- This signal is driven by PHY.
TXCLK- This signal is driven by MAC
RXCLK- This signal is driven by PHY.



Transmit SS-SMII



Receive SS-SMII



6 Register Map

R = Read ; W = Write ; R/W = Read/Write

Register Address	Register Description	Attribute	Default value
01H	<p>Half duplex control</p> <p>Bit [0]: Drops the packet that encounters 16 successive collisions. 1: Drop; 0: Forward</p> <p>Bit [1]: Collision back off. 1: Disable; 0: Enable</p> <p>Bit [2]: Reserved and should be set to "0".</p> <p>Bit [3]: Broadcast BPDU packet. 1: Broadcast; 0: Drop</p> <p>Bit [4]: Reserved and should be set to "0".</p> <p>Bit [15]~ Bit 5: Not used.</p>	R/W	5'h0A
02H	<p>Network configuration packet capture:</p> <p>Bit [0]: Spanning tree. 1: Capture & forward to the CPU port. 0: Drop.</p> <p>Bit[1]: In-band management packet(Destinatopn MAC Address =This Switch MAC Address) 1: Forward to the CPU port 0: Drop</p> <p>Note: If this bit is set to "1", the ARP packet will be sent to CPU port too.</p> <p>Bit[2]: LACP 1: Only forward to the CPU port when register1 bit[3]= 0. Braodcast to other ports when register1 bit[3]=1 0: Drop</p> <p>Bit[3]: GVRP 1: Capture & forward to the CPU port only . 0: Broadcast</p> <p>IP packet capture</p> <p>Bit[5:4] : ICMP Bit[7:6] : IGMP Bit[9:8] : TCP Bit[11:10] : UDP Bit[13:12] : OSPF Bit[15:14] : Others 00 : Send to port 1 ~ port 24 only 01 : Send to port 26(CPU) and port 1 ~ port 24 10 : Send to port 26(CPU) only</p> <p>Note:</p> <ol style="list-style-type: none"> When the packet capture function is enabled, port 26 should be set to as CPU port! If only one CPU port is required, it's recommeded to set port 26 as the CPU port. 	R/W	16'h0000



Register Address	Register Description	Attribute	Default value
03H	Egress/Ingress data rate control for port 1. Bit[7:0]: Egress data rate control. Bit[15:8]: Ingress data rate control. The maximum ingress/egress byte number in one time unit is. Bit[15:8] * 512 for Ingress Bit[7:0] * 512 for Egress. The one time unit is 10ms for 100Mbps seed and 100ms for 10Mbps speed.	R/W	16'hfff
04H~1CH	Egress/Ingress data rate control for port 2 to port 26. The definition is the same as that of the register 03H.	R/W	16'hfff
1DH	Port receive function. 1: Enable; 0: Disable. Bit 0 corresponds to port 1. Bit 15 corresponds to port 16.	R/W	16'Hffff
1EH	Port receive function. 1: Enable; 0: Disable. Bit 0 corresponds to port 17. Bit 9 corresponds to port 26.	R/W	10'h3ff
1FH	MAC reset for port 1 to port 16. 0: Activate reset; 1: normal operation. Bit 0 corresponds to port 1. Bit 15 corresponds to port 16.	R/W	16'hffff
20H	MAC reset for port 17 to port 26. 0: Activate reset; 1: normal operation. Bit 0 corresponds to port 17. Bit 9 corresponds to port 26.	R/W	10'h3ff
21H	MAC filters the data frames for port16~pot1, 1 bit per port 0: only control frames are forwarded 1: all good frames are forwarded	R/W	16'hffff
22H	MAC filters the data frames for port26~pot17, 1 bit per port bit[9:0] : 0: only control frames are forwarded 1: all good frames are forwarded. Other bits are reserved.	R/W	10'h3ff
23H	Port base priority enable for port16~pot1, 1 bit per port bit[15:0] : 0: This port is set to normal priority 1: This port is set to high priority	R/W	16'h0
24H	Port base priority enable for port26~pot17, 1 bit per port bit[15:0] : 0: This port is set to normal priority 1: This port is set to high priority	R/W	10'h0
25H	VLAN Tag based priority enable for port16~pot1, 1 bit per port bit[15:0] : 0: disable 1: enable	R/W	16'h0
26H	VLAN Tag based priority enable for port26~pot17, 1 bit per port bit[15:0] : 0: disable 1: enable	R/W	10'h0



Register Address	Register Description	Attribute	Default value
27H	IP DS based priority enable for port16~pot1, 1 bit per port bit[15:0] : 0: disable 1: enable	R/W	16'h0
28H	IP DS based priority enable for port26~pot17, 1 bit per port bit[15:0] : 0: disable 1: enable	R/W	10'h0
29H	Switch MAC address[15:0]	R/W	16'h0
2AH	Switch MAC address[31:16]	R/W	16'h0
2BH	Switch MAC address[47:32]	R/W	16'h0
2CH	Out queue schedule mode / weight selection Bit[1:0] : Schedule mode 2'b00: First in First out 2'b01: Strict Priority. The IP1726 LF will always forward all packets with high priority until the packet in the high priority queue is empty. 2'b10 : WRR. Weighted-and-round-robin scheme.The packet number in both priority queues is based on the defined ratio. 2'b11 : undefined Bit[4:2] : Low priority queue weight number when the WRR mode is selected Bit[7:5] : High priority queue weight number when the WRR mode is selected. Note: When Bit[4:2] and Bit[7:5] are set to "000", the weight number will be interpreted as "8".	R/W	8'd0
2DH	Reserved for test. Do not access to this register.	R/W	9'd475
2EH	Reserved for test. Do not access to this register.	R/W	9'd500



Register Address	Register Description	Attribute	Default value
2FH	bit[0] : Hash algorithm selection 0 : CRC mapping 1 : Direct mapping bit[1] : Address table aging function disable 0 : aging function enabled 1 : aging function disabled bit[3:2] : Trunk ID hash algorithm selection 2'b00 : Port ID(the least significant 2 bits of the result of port ID +1); Note: The port ID is counted from 1 to 26. 2'b01 : SA(the least significant 2 bits of the source MAC address) 2'b10 : DA(address bit 16 is mapped to trunk ID[1] and address bit 0 is mapped to trunk ID[0]); 2'b11 : SA XOR DA(the result of the XOR operation described above) bit[4] : Broadcast Storm Control enable 0 : broadcast storm control disabled 1 : broadcast storm control enabled bit[5] : Auto turn on/off flow control when priority queue enable 0 : normal flow control 1 : auto turn on/off flow control bit[6] : Broadcast frames egress is blocked for port 25 0 : Broadcast frames send to p25 1 : Broadcast frames do not send to p25 bit[7] : Broadcast frames egress is blocked for port 26	R/W	8'h0
30H	bit[7:0] : Aging timer The aging time is about : (aging_timer + 1) x 30.7 +-6.7% sec. bit[14:8] : Broadcast storm control threshold The broadcast frame number allow in one time unit The time period is 1ms for 100M speed. The time period is 10ms for 10M speed.	R/W	8'd9 8h'7f
31H	Enable Source MAC address learning function for port16~1 bit[15:0] : 0: disable learning 1: enable learning	R/W	16'hffff
32H	Enable Source MAC address learning function for port26~17 bit[8:0] : 0: disable learning 1: enable learning	R/W	10'h3ff
33H	Security configuration bit[0] : Drop the unknown SA frame going to port 26 (CPU) 0 : forward 1 : Drop bit[1] : forward unknown Source MAC address frame when the address learning function is disabled 0 : drop the unknown SA frame 1 : forward the unknown SA frame	R/W	2'b10



Register Address	Register Description	Attribute	Default value
34H	VLAN group setting for port 1 (p16~p01) The bit 15 corresponds to port 16 and the LSB corresponds to port 1. 0: The data incoming from port 1 is NOT allowed to be forwarded to the corresponding port. 1: The data incoming from port 1 is allowed to be forwarded to the corresponding port.	R/W	16'hfff
35H	VLAN group setting for port 1 (p26~p17) The bit 9 corresponds to port 26 and the LSB corresponds to port 17. 0: The data incoming from port 1 is NOT allowed to be forwarded to the corresponding port. 1: The data incoming from port 1 is allowed to be forwarded to the corresponding port.	R/W	10'h3ff
36H~67H	The registers within this range are used to define the VLAN group setting for port 2 to port 26. Like the statement of registers 34H and 35H, two registers comprise the definition of the forwarding rule for a port.	R/W	16'hfff &10'h3ff



Register Address	Register Description	Attribute	Default value
68H	<p>Trunk group 0 (p4, p3, p2, p1) setting port 1 ~ port 4 are the same trunk group and can be any combination to form a trunk. The trunk ID described below is derived by the algorithm defined in register 2FH.</p> <p>bit[3:0] : trunk configuration for port 01 4'b0000 : the trunk is disabled. 4'bxxx1 : pass the frame with trunk ID = 0 4'bx1x : pass the frame with trunk ID = 1 4'bx1xx : pass the frame with trunk ID = 2 4'b1xxx : pass the frame with trunk ID = 3</p> <p>bit[7:4] : trunk configuration for port 02 bit[11:8] : trunk configuration for port 03 bit[15:12] : trunk configuration for port 04</p> <p>Note : In a trunk group, the configuration should be ORed to 4'b1111 and no more than one port has the same configuration bit.</p> <p>Example 1: bit[3:0] = 4'b1100, bit[7:4] = 4'b0010, bit[11:8]=4'b0001, bit[15:12]=4'b0000. This configuration stands for the following forwarding rule. Forwarding to port 1 of this group when the hash result defined in register 21H is 3 or 2. Forwarding to port 2 of this group when the hash result defined in register 21H is 1. Forwarding to port 3 of this group when the hash result defined in register 21H is 0. Port 4 is not allowed to forward the data since bit[15:12] is set to 4'b0000.</p> <p>Example 2: Bit[3:0]=4'b1100, bit[15:12]=4'b1000 is not allowed. When the hash result is 3, the switch can not decide to forward the packet through either port 1 or port 4.</p>	R/W	16'h0000
69H	<p>Trunk group 1 (p8, p7, p6, p5) setting port 5 ~ port 8 are the same trunk group and can be any combination to form a trunk</p> <p>bit[3:0] : trunk configuration for port 05 bit[7:4] : trunk configuration for port 06 bit[11:8] : trunk configuration for port 07 bit[15:12] : trunk configuration for port 08</p>	R/W	16'd0
6AH	<p>Trunk group 2 (p26, p25) setting port 25 ~port 26 are the same trunk group</p> <p>bit[3:0] : trunk configuration for port 25 bit[7:4] : trunk configuration for port 26</p>	R/W	8'h00



Register Address	Register Description	Attribute	Default value
6BH	Port Mirroring Configuration 0 bit[15:0] : p16~p01 monitored port (source port) 0 : this port is not monitored 1 : this port is monitored The LSB corresponds to port 1.	R/W	16'h0000
6CH	Port Mirroring Configuration 1 bit[9:0] : p26~p17 monitored port (source port) 0 : this port is not monitored 1 : this port is monitored The LSB corresponds to port 17.	R/W	10'h000
6DH	Port Mirroring Configuration 2 bit[4:0] : the snooping port(destination) 5'h0: port 1 5'h1A: port 26 bit[6:5] : the port snooping scheme 00 : disabled 01 : egress 10 : ingress 11 : egress/ingress	R/W	7'd0
6EH	(Reserved)		
6FH	CPU read/write MAC address table Configuration bit[11:0] : the 4K SRAM address for MAC address table bit[12] : read/write configuration 0 : read 1 : write bit[13] : 70H data indicator 0 : 70H is the data read from the table 1 : 70H is the data to be written to table bit[14] : read/write enable 0 : No action 1 : read/write table bit[15] : command complete	R/W	16'h0000
70H	CPU read/write table Data [15:0] Store the data read from table for read command Store the data to be written to table for write command	R/W	16'd0
71H	CPU read/write table Data [31:16] Store the data read from table for read command Store the data to be written to table for write command	R/W	16'd0
72H	CPU read/write table Data [45:32] Store the data read from table for read command Store the data to be written to table for write command	R/W	14'd0
73H	Auto negotiation for port16~pot1, 1 bit per port bit[15:0] : 0: auto negotiation disabled 1: auto negotiation enabled	R/W	16'hffff
74H	Auto negotiation for port26~pot17, 1 bit per port bit[9:0] : 0: auto negotiation disable 1: auto negotiation enable	R/W	10'h3ff



Register Address	Register Description	Attribute	Default value
75H	Speed setting for port16~pot1, 1 bit per port bit[15:0] : 0: 10Mb 1: 100Mb The LSB corresponds to port 1.	R/W	16'hffff
76H	Speed setting for port26~pot17, 1 bit per port bit[9:0] : 0: 10Mb 1: 100Mb The LSB corresponds to port 17.	R/W	10'h3ff
77H	Duplex setting for port16~pot1, 1 bit per port bit[15:0] : 0: Half duplex 1: Full duplex The LSB corresponds to port 1.	R/W	16'hffff
78H	Duplex setting for port26~pot17, 1 bit per port bit[9:0] : 0: Half duplex 1: Full duplex The LSB corresponds to port 17.	R/W	10'h3ff
79H	Pause setting for port16~pot1, 1 bit per port bit[15:0] : 0: disabled 1: enabled The LSB corresponds to port 1.	R/W	16'hffff
7AH	Pause setting for port26~pot17, 1 bit per port bit[9:0] : 0: disabled 1: enabled The LSB corresponds to port 17.	R/W	10'h3ff
7BH	Backpressure setting for port16~pot1, 1 bit per port bit[15:0] : 0: disabled 1: enabled The LSB corresponds to port 1.	R/W	16'hffff
7CH	Backpressure setting for port26~pot17, 1 bit per port bit[9:0] : 0: disable 1: enable The LSB corresponds to port 17.	R/W	10'h3ff
7DH	Transmit enable for port16~pot1, 1 bit per port bit[15:0] : 0: Tx. disabled 1: Tx. Enabled The LSB corresponds to port 1.	R/W	16'hffff
7EH	Transmit enable for port26~pot17, 1 bit per port bit[9:0] : 0: Tx. disabled 1: Tx. Enabled The LSB corresponds to port 17.	R/W	10'h3ff



Register Address	Register Description	Attribute	Default value
80H	CPU read/write PHY register command bit[4:0] : the PHY address bit[9:5] : the MII register address bit[12:10] : (Reserved) bit[13] : 1: the read/write command has been completed 0: not yet bit[14] : 0: read operation, 1: write operation bit[15] : the read/write command trigger 0: IDLE or command complete 1: Start command	R/W	16'd0
81H	CPU read/ write PHY register data bit[15:0] : the data to be written into PHY register for write command. The last data read from PHY register read command.	R/W	16'd0
82H	Port status of port4~pot1, 4 bit per port bit[3:0] : {flow_ctrl, duplex, speed, link}	R	16'd0
83H~88H	Link status port26~pot5, 4 bit per port bit[3:0] : {flow_ctrl, duplex, speed, link}	R	16'd0
90H	bit[15] : share memory over-flow indication bit[14] : share memory under-flow indication bit[10:0] : share memory current page count	R	16'hxx
91H	Reserved for test	Reserved	16'hxx
92H	Reserved for test	Reserved	16'hxx
A0H	bit[0] : Interrupt enable for completing CPU r/w SMI command 1: Enable interrupt indication; 0: No interrupt bit[4] : Status of the CPU r/w SMI command 1: Command completed; 0: Command processing	R/W	5'h00
A1	Do not access to this register.	Reserved	16'h000f
A2H	bit[0] : Software reset. Writing a "1" to this bit will reset the IP1726 LF. This bit is self-cleared to "0".	W	1'b0

7 Electrical Characteristics

7.1 Absolute Maximum Rating

Permanent device damage may occur if Absolute Maximum Ratings are applied. Functional operation should be restricted to the conditions as specified in the following section. Exposure to the Absolute Maximum Conditions for extended periods may affect device reliability.

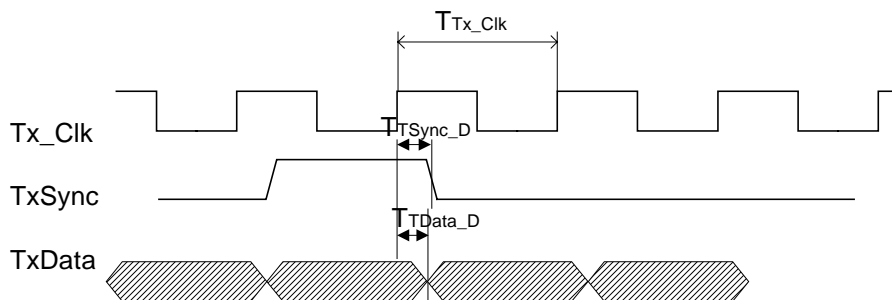
PARAMETER		SYMBOL	MIN.	MAX.	UNIT
Supply Voltage	I/O	$V_{DDI/O}$	- 0.5	+3.6V	V
	Core	V_{DDCore}	- 0.5	+1.9V	V
Input Voltage		V_I	- 0.5	$V_{DDI/O}$	V
Output Voltage		V_O	- 0.5	$V_{DDI/O}$	V
Storage Temperature		T_{STG}	-65	+150	°C
Operation Temperature		T_{OPT}	0	+70	°C

Note: The maximum ratings are the limit value that must never be exceeded even for short time.

7.2 AC Characteristics

SS-SMII Transmit Timing

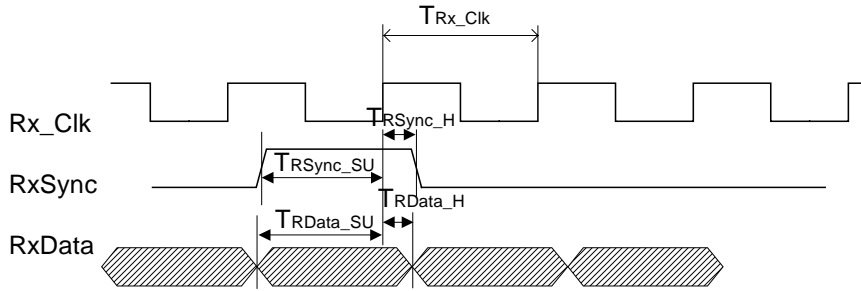
Symbol	Description	Min.	Typ.	Max.	Unit
T_{Tx_Clk}	Transmit clock cycle time	-	8	-	ns
T_{TSync_D}	Tx_Clk rising edge to TX_Sync output delay	1.0		5.0	ns
T_{TData_D}	Tx_Clk rising edge to TXD output delay	1.0	-	5.0	ns



SS-SMII Transmit

SS-SMII Receive Timing

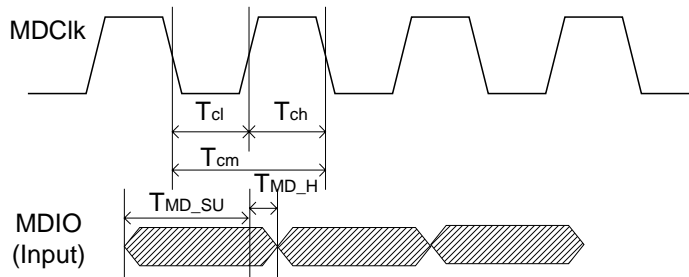
Symbol	Description	Min.	Typ.	Max.	Unit
T_{Rx_Clk}	Receive clock cycle time	-	8	-	ns
T_{RSync_SU}	Rx_Sync Set up time	2.0			ns
T_{Rdata_H}	Rx_Sync Hold time	1.0	-		ns
T_{Rdata_SU}	RxData Set up time	2.0			ns
T_{RData_H}	RxData Hold time	1.0	-		ns



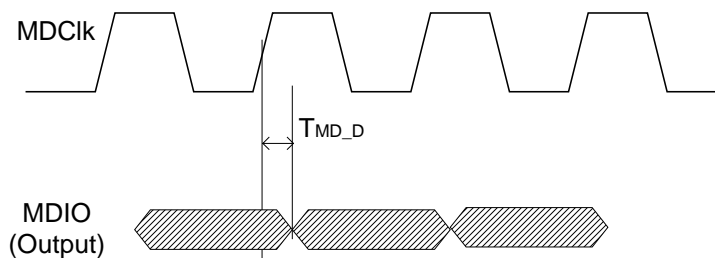
SS-SMII Receive

PHY Management (MDIO) Timing

Symbol	Description	Min.	Typ.	Max.	Unit
T_{ch}	MDCK High Time	-	200	-	ns
T_{cl}	MDCK Low Time	-	200	-	ns
T_{cm}	MDCK cycle time	-	400	-	ns
T_{MD_SU}	MDIO set up time	10	-	-	ns
T_{MD_H}	MDIO hold time	10	-	-	ns
T_{MD_D}	MDIO output delay time	200	-	210	ns



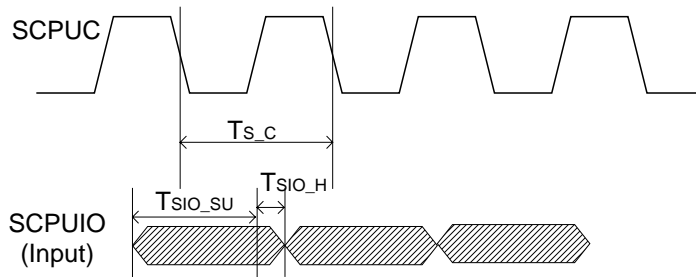
MDIO Input Cycle



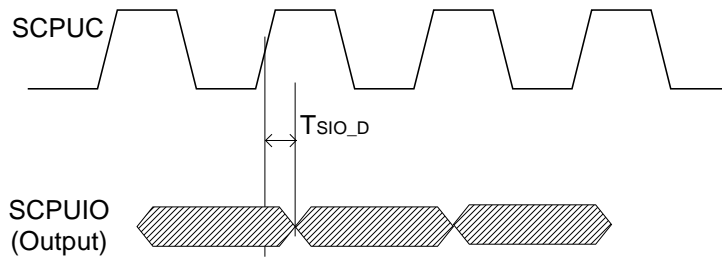
MDIO Output Cycle

CPU Serial Bus Timing

Symbol	Description	Min.	Typ.	Max.	Unit
T_{S_c}	SCPUC cycle time	400		-	ns
T_{SIO_SU}	Serial I/O set up time	10	-		ns
T_{SIO_H}	Serial I/O hold time	10	-	-	ns
T_{SIO_D}	Serial I/O output delay time		-	20	ns



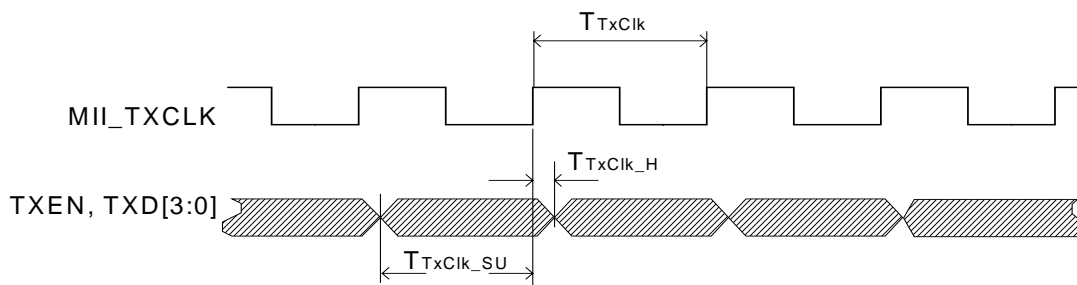
Serial I/O Input Cycle



Serial I/O Output Cycle

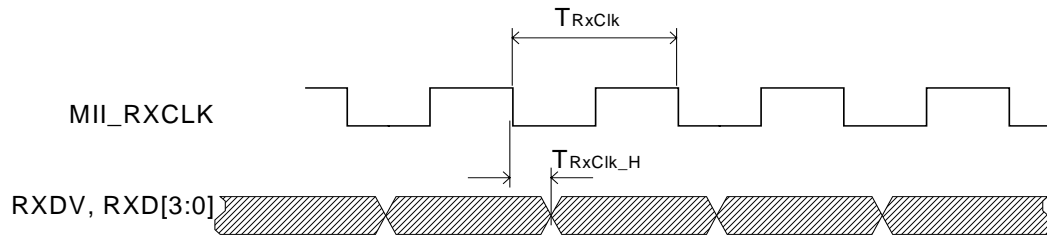
MII Transmit Timing

Symbol	Description	Min.	Typ.	Max.	Unit
T_{TxClk}	Transmit clock period 100Mbps MII	-	40	-	ns
T_{TxClk}	Transmit clock period 10Mbps MII	-	400	-	ns
T_{TxClk_SU}	TXEN, TXD to MII_TXCLK setup time	2	-	-	ns
T_{TxClk_H}	TXEN, TXD to MII_TXCLK hold time	0.5	-	-	ns



MII Receive Timing

Symbol	Description	Min.	Typ.	Max.	Unit
T_{RxClk}	Receive clock period 100Mbps MII	-	40	-	ns
T_{RxClk}	Receive clock period 10Mbps MII	-	400	-	ns
T_{RxClk_D}	MII_RXCLK falling edge to RXDV, RXD	1	-	4	ns



7.3 DC Characteristics

PARAMETER	SYMBOL	MIN.	TYP.	MAX.	UNIT
Output low voltage	V_{OL}			0.4	V
Output high voltage	V_{OH}	1.7V for 1.8V I/O supply voltage; 3V for 3.3V I/O supply voltage;			V
Low level output current	I_{OL}				mA
High level output current	I_{OH}				
VDD33 supply current					
VDD18 supply current					
VDDPLL supply current					
VDD33 supply voltage			1.8 or 3.3		V
VDD18 supply voltage			1.8		V
VDDPLL supply voltage			1.8		V
SS-SMII Input Low to High threshold point(3.3V operation)	V_{T+}	1.66	1.75	1.79	V
SS-SMII Input High to Low threshold point(3.3V operation)	V_{T-}	0.93	1.01	1.06	V
Pull-down resistor	R_{PD}	51		127	$K\Omega$
J_c					
J_a					

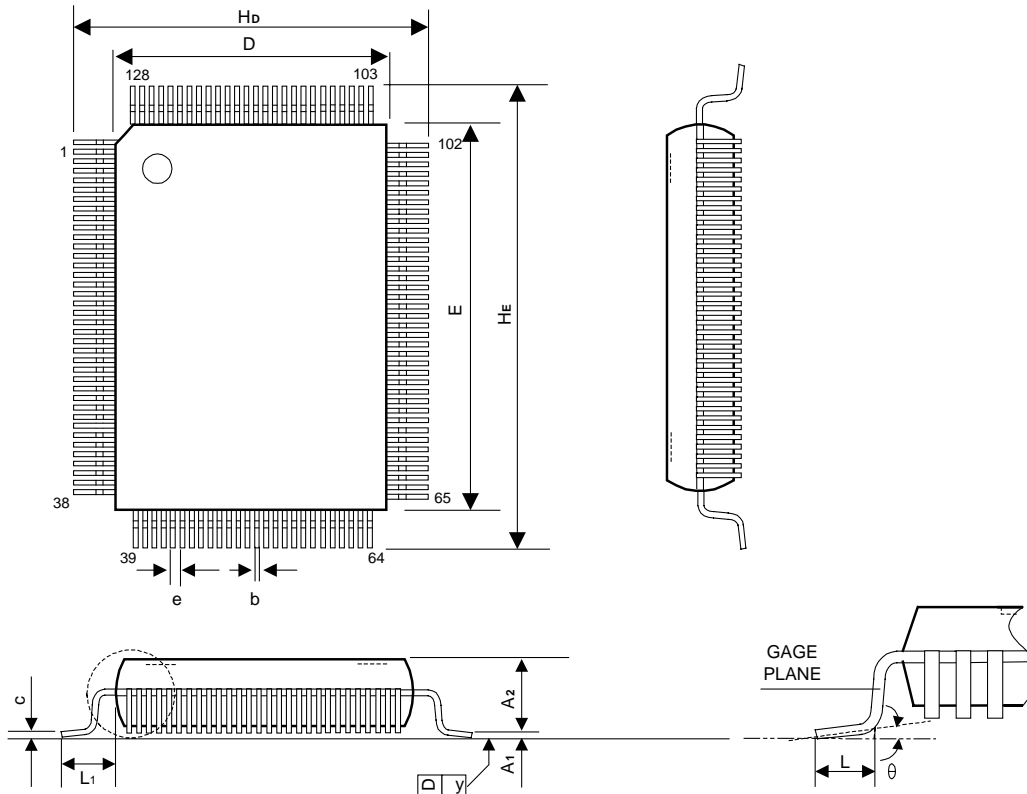


8 Order Information

Part No.	Package	Notice
IP1726	128-PIN PQFP	-
IP1726 LF	128-PIN PQFP	Lead free

9 Package Detail

128 PQFP Outline Dimensions



Symbol	Dimensions In Inches			Dimensions In mm		
	Min.	Nom.	Max.	Min.	Nom.	Max.
A1	0.010	0.014	0.018	0.25	0.35	0.45
A2	0.107	0.112	0.117	2.73	2.85	2.97
b	0.007	0.009	0.011	0.17	0.22	0.27
c	0.004	0.006	0.008	0.09	0.15	0.20
HD	0.669	0.677	0.685	17.00	17.20	17.40
D	0.547	0.551	0.555	13.90	14.00	14.10
HE	0.906	0.913	0.921	23.00	23.20	23.40
E	0.783	0.787	0.791	19.90	20.00	20.10
e	-	0.020	-	-	0.50	-
L	0.025	0.035	0.041	0.65	0.88	1.03
L1	-	0.063	-	-	1.60	-
y	-	-	0.004	-	-	0.10
θ	0°	-	12°	0°	-	12°

Note:

1. Dimension D & E do not include mold protrusion.
2. Dimension B does not include dambar protrusion. Total in excess of the B dimension at maximum material condition. Dambar cannot be located on the lower radius of the foot.

IC Plus Corp.

Headquarters

10F, No.47, Lane 2, Kwang-Fu Road, Sec. 2,
Hsin-Chu City, Taiwan 300, R.O.C.
TEL : 886-3-575-0275 FAX : 886-3-575-0475
Website: www.icplus.com.tw

Sales Office

4F, No. 106, Hsin-Tai-Wu Road, Sec.1,
Hsi-Chih, Taipei Hsien, Taiwan 221, R.O.C.
TEL : 886-2-2696-1669 FAX : 886-2-2696-2220