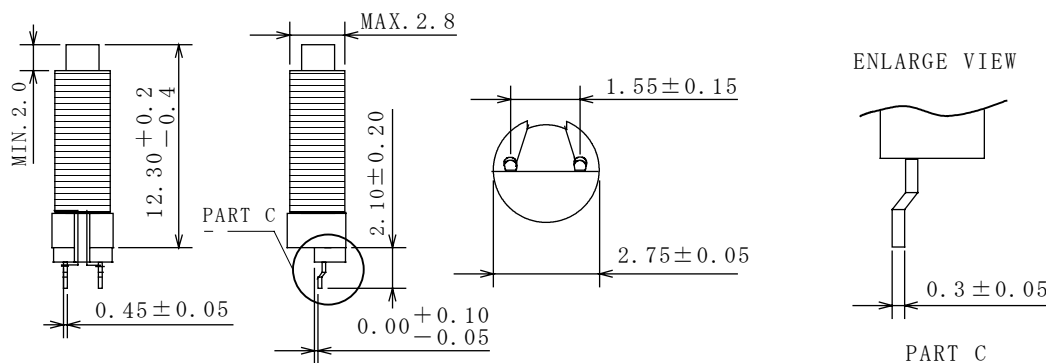
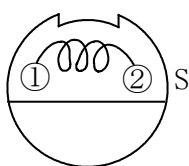


Type: AR13D28
◆ Product Description

- 2.4×2.4mm Max.(L×W),10.5mm Max. Height.
- Operating temperature: -40°C~+85°C.


◆ Feature

- LF transponder receiver antenna.
- Ideally used in keyless smart entry system.
- RoHS Compliance.

◆ Dimensions (mm)

◆ Schematics(Bottom)


“S” is winding start.

◆ Specification

	(2 - 1)	MEASURING CONDITIONS
INDUCTANCE	2.47mH ± 4% WITHIN	134.2kHz, 1V
UNLOADED Q	MIN. 90 (at 25°C)	134.2kHz, 1V
Line Capacitance	14pF ± 8pF	