

BRIGHT LED ELECTRONICS CORP.

PHOTO DIODE SPECIFICATION

VERSION : 1.0 / 2000.08.28

●COMMODITY : T-1 3/4 Standard 1.0"Lead, 5 φ

●DEVICE NUMBER : BPD-BQA334

●LEN APPEARANCE: Water Clear

●APPLICATIONS

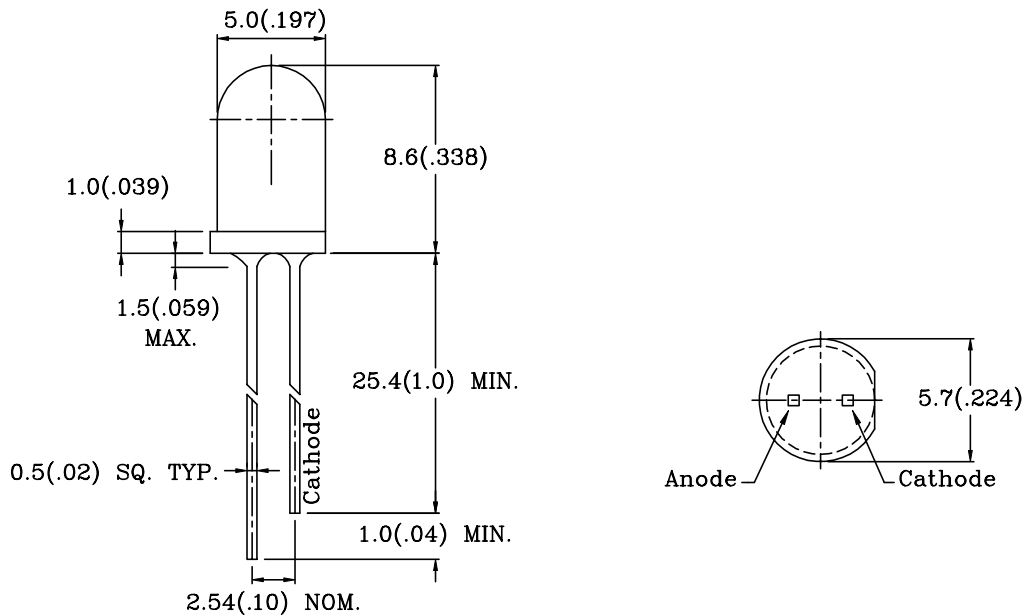
•Infrared Sensor •Strobe •Camera •Smoke Detector •Remote Control for T.V.,VTR,AUDIO •Exposuremeter

●ABSOLUTE MAXIMUM RATINGS (Ta=25°C)

- High output and fast response
- Wide angle to receive lights
- High sensitivity in a wide range of wave length
- Peak wave length for filtered type is best match for Infrared Led
- High reliability
- Low cost

●ELECTRICAL AND OPTICAL CHARACTERISTICS (Ta=25°C)

Open Circuit Voltage	Short Circuit Current	Reverse Dark Current	Reverse Light Current	Reverse Break Down Voltage	Tr	Tf	Peak Wave Length λ P (nm)	Viewing Angle 2 θ 1/2 (deg)
(VOC) Typ.(mV) H=5.0mW/cm ²	(ISC) Typ.(uA) VR=5V H=0.05 mW/cm ²	ID(R) Max.(nA) VR=10V H=0 mW/cm ²	(IL) Typ.(uA) VR=5V H=5 mW/cm ²	(VBR) Min.(V) IR=100uA H=0 mW/cm ²	VR=10V RL=1kΩ (ns)			
400	2.0	30	90	30	6	6	940	20



NOTES: 1.All dimensions are in millimeters (inches).

2.Tolerance is ± 0.25mm (0.01") unless otherwise specified.

3.Lead spacing is measured where the leads emerge from the package.

4.Specifications are subject to change without notice.

RELEASED :



ENGINEER :

