

Type: CDBH38D18

UNDER DEVELOPMENT

Product Description

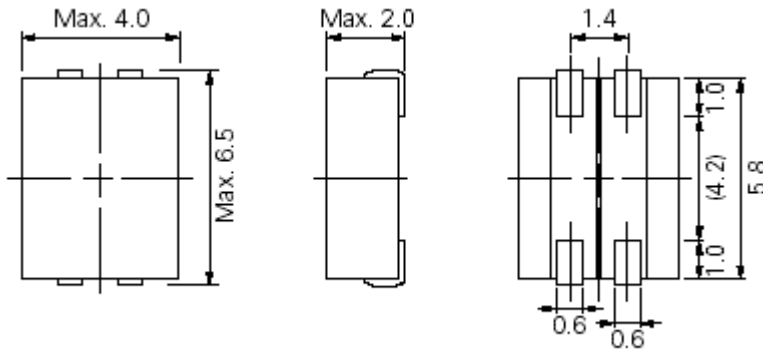
- 6.5 × 4.0mm Max.(L × W), 2.0mm Max. Height.
- Reference Inductance : 80nH.
- Reference rated current : 10.0A.



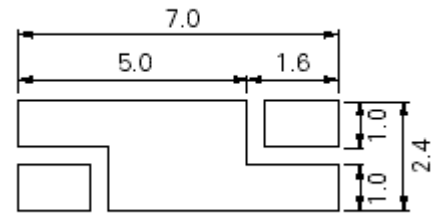
Feature

- Magnetically shielded construction.
- High Current Inductor for Server & CPU, etc. (Multiple chopper DC-DC converter, various decentralized Power Supplier).
- RoHS Compliance

Dimensions (mm)



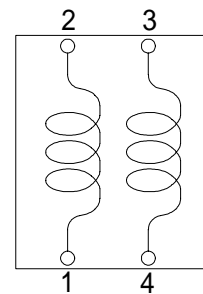
Land Pattern (mm)



Specification (Part No.1748-T001)

Item	Specification	Measuring conditions
Inductance (1-2), (3-4)	80nH(Typ.)	1MHz
Inductance (1-3)	240nH±20%	1MHz (Terminal 2,4 short)
D.C.R. (1-2),(3-4)	1.25mΩ Max. (1.0mΩTyp.)	at 20
Saturation current (1-3) 1	10.0A	at 20 (Terminal 2,4 short)
	8.5A	at 105 (Terminal 2,4 short)
Temperature rise current(1-3) 2	11.0A	(Terminal 2,4 short)

Schematics (Bottom)



1.Saturation Current: The DC current at which the inductance decreases to 75% of it's initial value.
 2 Temperature rise current: The DC current at which the temperature rise is $t = 40$.(Ta = 20)