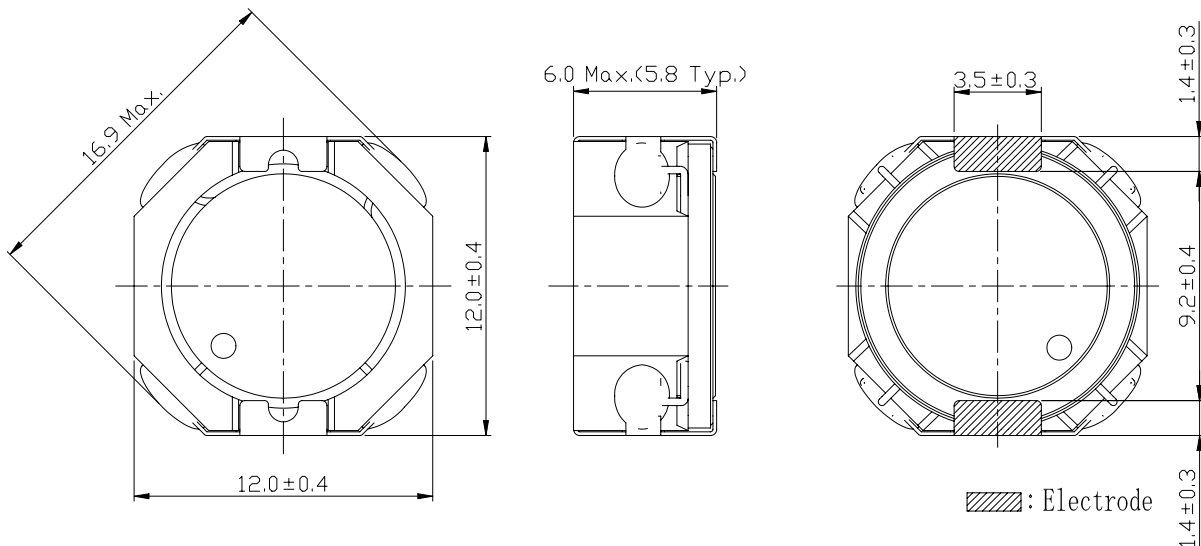
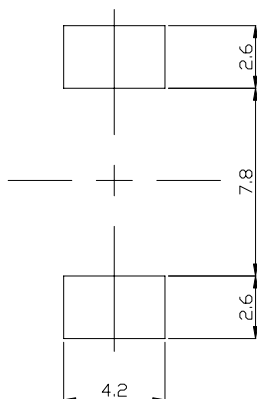


Type: CDRH12D58R
◆ Product Description

- 12.4 × 12.4mm Max.(L × W), 6.0mm Max. Height.
- Inductance range: 10 μH ~ 1000 μH
- Rated current range: 0.48 ~ 4.7A
- Custom design is available.


◆ Feature

- Magnetically shielded construction.
- Ideally used in Game machine, Notebook PC, LCD TV, DVD, STB, Projector etc as DC-DC Converter inductors.
- RoHS Compliance

◆ Dimensions (mm)

◆ Land Pattern (mm)


Type: CDRH12D58R
◆ Specification

Part Name ※	Stamp	Inductance 100kHz/1V	D.C.R.(mΩ) Max.(Typ.) (at 20°C)	Saturation Current (A) ※1		Temperature Rise Current (A) ※2
				(at 20°C)	(at 105°C)	
CDRH12D58RNP-100M□	100	10μH±20%	22.5(18)	7.20	4.70	4.70
CDRH12D58RNP-150M□	150	15μH±20%	28.8(23)	5.50	3.60	4.60
CDRH12D58RNP-220M□	220	22μH±20%	42.5(34)	4.70	3.10	3.30
CDRH12D58RNP-330M□	330	33μH±20%	53.8(43)	3.70	2.40	2.95
CDRH12D58RNP-470M□	470	47μH±20%	86.5(69)	3.15	2.10	2.10
CDRH12D58RNP-680M□	680	68μH±20%	121(97)	2.65	1.75	1.86
CDRH12D58RNP-101M□	101	100μH±20%	176(141)	2.25	1.5	1.56
CDRH12D58RNP-151M□	151	150μH±20%	251(201)	1.80	1.20	1.28
CDRH12D58RNP-221M□	221	220μH±20%	391(313)	1.45	1.00	1.03
CDRH12D58RNP-331M□	331	330μH±20%	544(435)	1.22	0.80	0.90
CDRH12D58RNP-471M□	471	470μH±20%	764(611)	1.01	0.66	0.68
CDRH12D58RNP-681M□	681	680μH±20%	1078(863)	0.86	0.56	0.61
CDRH12D58RNP-102M□	102	1.0mH±20%	1625(1300)	0.69	0.46	0.48

※ Description of part name

CDRH12D58RNP-100M□

└──	B	Box
└──	C	Carrier Tape

※1. Saturation current: The DC current at which the inductance decreases by 35% from its nominal value.

 ※2. Temperature rise current: The DC current at which the temperature rise is $\Delta t=40^{\circ}\text{C}$ ($T_a=20^{\circ}\text{C}$).