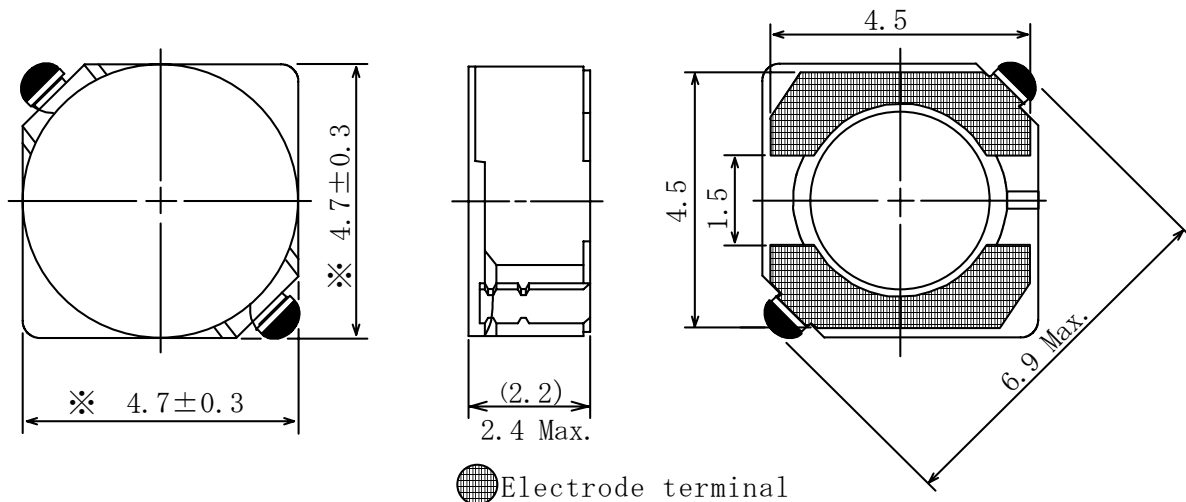
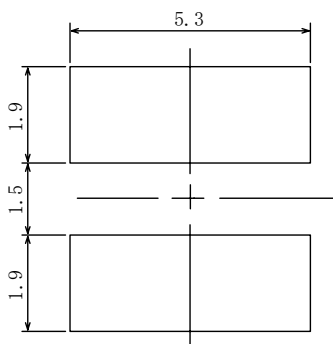


Type: CDRH4D22, CDRH4D22/HP
◆ Product Description

- 5.0×5.0mm Max.(L×W),2.4mm Max. Height.
- Both Standard Type CDRH4D22 and High Power Type CDRH4D22/HP are available.
- Inductance Range: 1.5~150 μ H(CDRH4D22); 1.2~100 μ H(CDRH4D22/HP).
- Rated current range: 0.21~2.0A(CDRH4D22); 0.35~3.2A(CDRH4D22/HP).
- In addition to the standards versions shown here, custom inductors are also available to meet your exact requirements.


◆ Feature

- Magnetically shielded construction.
- Ideally used in Mobile phone, PDA, MP3, HDD, DSC/DVC, Portable Computers, etc as DC-DC Converter inductors.
- RoHS Compliance.

◆ Dimensions (mm)

◆ Land Pattern (mm)


Type: CDRH4D22, CDRH4D22/HP
◆ Standard Type(CDRH4D22)

Part Name ※	Stamp	Inductance (μ H) [Within] 100kHz/1V	D.C.R. ($m\Omega$) Max.(Typ.) (at 20°C)	Saturation Current (A) ※1		Temperature Rise current (A) ※2
				(at 20°C)	(at 100°C)	
CDRH4D22NP-1R5N□	1R5	1.5±30%	18.3(14.1)	2.00	1.60	4.20
CDRH4D22NP-1R8N□	1R8	1.8±30%	21.6(16.6)	1.90	1.50	3.70
CDRH4D22NP-2R3N□	2R3	2.3±30%	25.4(19.5)	1.80	1.40	3.60
CDRH4D22NP-3R3N□	3R3	3.3±30%	35.1(27.0)	1.40	1.10	3.07
CDRH4D22NP-3R9N□	3R9	3.9±30%	40.2(30.9)	1.30	1.00	3.04
CDRH4D22NP-4R7N□	4R7	4.7±30%	55.9(43.0)	1.10	0.90	2.08
CDRH4D22NP-5R6N□	5R6	5.6±30%	62.0(47.7)	1.05	0.85	2.05
CDRH4D22NP-6R8N□	6R8	6.8±30%	88.0(67.7)	1.00	0.75	1.95
CDRH4D22NP-8R2N□	8R2	8.2±30%	96.5(74.2)	0.90	0.65	1.85
CDRH4D22NP-100N□	100	10±30%	102.4(78.8)	0.80	0.60	1.82
CDRH4D22NP-120N□	120	12±30%	110.4(84.9)	0.75	0.55	1.80
CDRH4D22NP-150N□	150	15±30%	127.4(98.0)	0.68	0.50	1.59
CDRH4D22NP-180N□	180	18±30%	168.7(129.8)	0.60	0.43	1.41
CDRH4D22NP-220N□	220	22±30%	199.7(153.6)	0.54	0.41	1.32
CDRH4D22NP-270N□	270	27±30%	282.5(217.3)	0.51	0.38	1.04
CDRH4D22NP-330N□	330	33±30%	325.8(250.6)	0.48	0.35	1.02
CDRH4D22NP-390N□	390	39±30%	451.2(347.1)	0.43	0.32	0.85
CDRH4D22NP-470N□	470	47±30%	500.4(384.9)	0.38	0.30	0.82
CDRH4D22NP-560N□	560	56±30%	555.4(427.2)	0.36	0.28	0.72
CDRH4D22NP-680N□	680	68±30%	634.1(487.8)	0.33	0.25	0.67
CDRH4D22NP-820N□	820	82±30%	794.6(608.9)	0.30	0.22	0.58
CDRH4D22NP-101N□	101	100±30%	880(670)	0.25	0.20	0.55
CDRH4D22NP-121N□	121	120±30%	1140(880)	0.23	0.18	0.52
CDRH4D22NP-151N□	151	150±30%	1350(1040)	0.21	0.17	0.47

Type: CDRH4D22, CDRH4D22/HP
◆ High Power Type(CDRH4D22/HP)

Part Name ※	Stamp	Inductance (μ H) [Within] 100kHz/1V	D.C.R.(m Ω) Max.(Typ.) (at 20°C)	Saturation Current (A) ※1		Temperature Rise current (A) ※2
				(at 20°C)	(at 100°C)	
CDRH4D22HPNP-1R2N□	1R2	1.2 \pm 25%	26.5(21.2)	4.20	3.40	3.20
CDRH4D22HPNP-1R5N□	1R5	1.5 \pm 25%	31.3(25.0)	3.90	3.20	3.00
CDRH4D22HPNP-2R2N□	2R2	2.2 \pm 25%	44.3(35.4)	3.20	2.50	2.40
CDRH4D22HPNP-2R7N□	2R7	2.7 \pm 25%	57.8(46.3)	2.80	2.35	2.20
CDRH4D22HPNP-3R5N□	3R5	3.5 \pm 25%	65.1(52.0)	2.50	2.10	2.00
CDRH4D22HPNP-4R7N□	4R7	4.7 \pm 25%	82.6(66.0)	2.20	1.80	1.80
CDRH4D22HPNP-5R2N□	5R2	5.2 \pm 25%	92.8(74.3)	2.00	1.65	1.70
CDRH4D22HPNP-6R3N□	6R3	6.3 \pm 25%	110.0(87.9)	1.85	1.50	1.40
CDRH4D22HPNP-8R2N□	8R2	8.2 \pm 25%	128.3(102.6)	1.65	1.40	1.35
CDRH4D22HPNP-1 \emptyset 0M□	100	10 \pm 20%	143.8(115.0)	1.50	1.20	1.30
CDRH4D22HPNP-12 \emptyset M□	120	12 \pm 20%	187.2(150.0)	1.30	1.10	1.10
CDRH4D22HPNP-15 \emptyset M□	150	15 \pm 20%	212.9(170.3)	1.20	1.00	0.85
CDRH4D22HPNP-18 \emptyset M□	180	18 \pm 20%	238.7(191.0)	1.10	0.90	0.80
CDRH4D22HPNP-22 \emptyset M□	220	22 \pm 20%	267.0(213.6)	1.05	0.85	0.90
CDRH4D22HPNP-27 \emptyset M□	270	27 \pm 20%	393.9(315.0)	0.90	0.75	0.70
CDRH4D22HPNP-33 \emptyset M□	330	33 \pm 20%	448.9(359.0)	0.80	0.68	0.65
CDRH4D22HPNP-39 \emptyset M□	390	39 \pm 20%	667.9(534.3)	0.75	0.60	0.52
CDRH4D22HPNP-47 \emptyset M□	470	47 \pm 20%	723.3(578.6)	0.70	0.56	0.50
CDRH4D22HPNP-56 \emptyset M□	560	56 \pm 20%	810.0(648.2)	0.65	0.52	0.48
CDRH4D22HPNP-68 \emptyset M□	680	68 \pm 20%	913.0(730.4)	0.60	0.48	0.45
CDRH4D22HPNP-82 \emptyset M□	820	82 \pm 20%	1221(977.0)	0.55	0.45	0.40
CDRH4D22HPNP-1 \emptyset 1M□	101	100 \pm 20%	1370(1096.0)	0.48	0.38	0.35

※ Description of part name

CDRH4D22NP-1R5N□

- B Box
- C Carrier Tape

※1.Saturation Current: The DC current at which the inductance decreases to 65% of it's nominal value

 ※2 Temperature rise current: The DC current at which the temperature rise is $\Delta t=40^{\circ}\text{C}$.($T_a=20^{\circ}\text{C}$)