

SGM4717

4.5Ω, 300MHz Bandwidth, Dual, SPDT Analog Switch

GENERAL DESCRIPTION

The SGM4717 is a dual, bidirectional, single-pole/double-throw (SPDT) CMOS analog switches designed to operate from a single +1.8V to +5.5V supply. It features high-bandwidth (300MHz) and low ON-resistance (4.5Ω typ), Targeted applications for audio switching.

SGM4717 features guaranteed on-resistance matching (0.3Ω max) between switches and guaranteed on-resistance flatness over the signal range (2.3Ω TYP). This ensures excellent linearity and low distortion when switching audio signals.

The SGM4717 is a committed dual single-pole/double-throw (SPDT) that consist of two normally open (NO) and two normally close (NC) switches. This configuration can be used as a dual 2-to-1 multiplexer.

SGM4717 is available in MSOP-10 and CSP-10 packages.

APPLICATIONS

- Portable Instrumentation
- Battery-Operated Equipment
- Computer Peripherals
- Cell Phones
- PDA's
- MP3's

FUNCTION TABLE

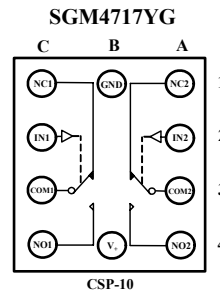
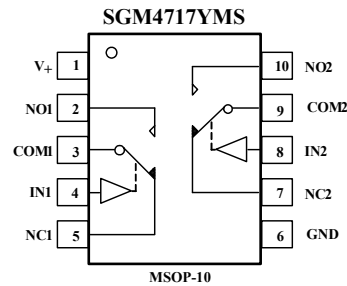
LOGIC	NO	NC
0	OFF	ON
1	ON	OFF

Switches Shown For Logic "0" Input

FEATURES

- Voltage Operation : 1.8 V to 5.5 V
- On-Resistance: 4.5Ω (typ) at 5.0V
- High Bandwidth: 300 MHz
- Fast Switching Time
 t_{ON} 26 ns
 t_{OFF} 20 ns
- High Off-Isolation: 57dB at 10MHz
- Low Crosstalk: 99dB at 10MHz
- Rail-to-Rail Operation
- TTL/CMOS Compatible
- Break-Before-Make Switching
- Extended Industrial Temperature Range:
 -40°C to 85°C
- MSOP-10 and CSP-10 Packages

PIN CONFIGURATIONS (TOP VIEW)



ELECTRICAL CHARACTERISTICS

($V_+ = +2.7V$ to $+3.6V$, $V_{IH} = +1.4V$, $V_{IL} = +0.5V$, $T_A = -40^\circ C$ to $+85^\circ C$, Typical values are at $V_+ = 3.0V$, $T_A = +25^\circ C$, unless otherwise noted.)

PARAMETER	SYMBOL	CONDITIONS	TEMP	MIN	TPY	MAX	UNITS
ANALOG SWITCH							
Analog Signal Range	V_{NO}, V_{NC}, V_{COM}		-40°C to +85°C	0		V_+	V
On-Resistance	R_{ON}	$V_+ = 2.7V, V_{NO}$ or $V_{NC} = 1.5V,$ $I_{COM} = -10$ mA, Test Circuit 1	+25°C		7	10	Ω
			-40°C to +85°C			10.5	Ω
On-Resistance Match Between Channels	ΔR_{ON}	$V_+ = 2.7V, V_{NO}$ or $V_{NC} = 1.5V,$ $I_{COM} = -10$ mA, Test Circuit 1	+25°C		0.15	0.3	Ω
			-40°C to +85°C			0.4	Ω
On-Resistance Flatness	$R_{FLAT(ON)}$	$V_+ = 2.7V, V_{NO}$ or $V_{NC} = 1.0V, 1.5V,$ $2.0V, I_{COM} = -10$ mA, Test Circuit 1	+25°C		3	4	Ω
			-40°C to +85°C			4.3	Ω
Source OFF Leakage current	$I_{NC(OFF)}, I_{NO(OFF)}$	$V_+ = 3.6V, V_{NO}$ or $V_{NC} = 0.3V, 3.3V,$ $V_{COM} = 0.3V, 3.3V,$	-40°C to +85°C			1	μA
Channel ON Leakage current	$I_{NC(ON)}, I_{NO(ON)},$ $I_{COM(ON)}$	$V_+ = 3.6V, V_{COM} = 0.3V, 3.3V,$ V_{NO} or $V_{NC} = 0.3V, 3.3V,$ or floating	-40°C to +85°C			1	μA
DIGITAL INPUTS							
Input High Voltage	V_{INH}		-40°C to +85°C	1			V
Input Low Voltage	V_{INL}		-40°C to +85°C			0.5	V
Input Leakage Current	I_{IN}	$V_+ = +3.6V, V_{IN} = 0$ or $5.5V$	-40°C to +85°C			1	μA
DYNAMIC CHARACTERISTICS							
Turn-On Time	t_{ON}	V_{NO} or $V_{NC} = 1.5V,$ $R_L = 300\Omega, C_L = 35pF,$ Test Circuit 2; $V_{IH} = 1.5V, V_{IL} = 0V$	+25°C		23		ns
Turn-Off Time	t_{OFF}	V_{NO} or $V_{NC} = 1.5V,$ $R_L = 300\Omega, C_L = 35pF,$ Test Circuit 2; $V_{IH} = 1.5V, V_{IL} = 0V$	+25°C		22		ns
Break-Before-Make Time Delay	t_d	V_{NO1} or $V_{NC1} = V_{NO2}$ or $V_{NC2} = 3V,$ $R_L = 300\Omega, C_L = 35pF,$ Test Circuit 3	+25°C		4		ns
Skew	t_{SKEW}	$R_S = 39\Omega, C_L = 50pF,$ Test Circuit 4	+25°C		5		ns
Off Isolation	O_{ISO}	$R_L = 50\Omega, C_L = 5pF,$ Signal = 0dBm, Test Circuit 5	f = 10MHz	+25°C		-57	dB
			f = 1MHz	+25°C		-76	dB
Channel-to-Channel Crosstalk	X_{TALK}	$R_L = 50\Omega, C_L = 5pF,$ Test Circuit 6	f = 10MHz	+25°C		-98	dB
			f = 1MHz	+25°C		-103	dB
Bandwidth -3 dB	BW	Signal = 0dBm, $R_L = 50\Omega, C_L = 5pF,$ Test Circuit 7	+25°C		300		MHz
Source OFF Capacitance	$C_{NC(OFF)}, C_{NO(OFF)}$	f = 1MHz	+25°C		5.5		pF
Channel ON Capacitance	$C_{NC(ON)}, C_{NO(ON)},$ $C_{COM(ON)}$	f = 1MHz	+25°C		15.5		pF
POWER REQUIREMENTS							
Power Supply Range	V_+		-40°C to +85°C	1.8		5.5	V
Power Supply Current	I_+	$V_+ = +5.5V, V_{IN} = 0V$ or V_+	-40°C to +85°C			5	μA

Specifications subject to change without notice.

ELECTRICAL CHARACTERISTICS

($V_+ = +4.5V$ to $+5.5V$, $V_{IH} = +2.0V$, $V_{IL} = +0.8V$, $T_A = -40^\circ C$ to $+85^\circ C$, Typical values are at $V_+ = 5.0V$, $T_A = +25^\circ C$, unless otherwise noted.)

PARAMETER	SYMBOL	CONDITIONS	TEMP	MIN	TPY	MAX	UNITS
ANALOG SWITCH							
Analog Signal Range	V_{NO}, V_{NC}, V_{COM}		-40°C to +85°C	0		V_+	V
On-Resistance	R_{ON}	$V_+ = 4.5V, V_{NO}$ or $V_{NC} = 3.5V,$ $I_{COM} = -10$ mA, Test Circuit 1	+25°C		4.5	8	Ω
			-40°C to +85°C			8.5	Ω
On-Resistance Match Between Channels	ΔR_{ON}	$V_+ = 4.5V, V_{NO}$ or $V_{NC} = 3.5V,$ $I_{COM} = -10$ mA, Test Circuit 1	+25°C		0.15	0.3	Ω
			-40°C to +85°C			0.4	Ω
On-Resistance Flatness	$R_{FLAT(ON)}$	$V_+ = 4.5V, V_{NO}$ or $V_{NC} = 1.0V, 2.0V,$ $3.5V, I_{COM} = -10$ mA, Test Circuit 1	+25°C		2.3	3.3	Ω
			-40°C to +85°C			3.7	Ω
Source OFF Leakage current	$I_{NC(OFF)}, I_{NO(OFF)}$	$V_+ = 5.5V, V_{NO}$ or $V_{NC} = 1.0V, 4.5V,$ $V_{COM} = 1.0V, 4.5V,$	-40°C to +85°C			1	μA
Channel ON Leakage current	$I_{NC(ON)}, I_{NO(ON)},$ $I_{COM(ON)}$	$V_+ = 5.5V, V_{COM} = 1.0V, 4.5V,$ V_{NO} or $V_{NC} = 1.0V, 4.5V,$ or floating	-40°C to +85°C			1	μA
DIGITAL INPUTS							
Input High Voltage	V_{INH}		-40°C to +85°C	1.5			V
Input Low Voltage	V_{INL}		-40°C to +85°C			0.6	V
Input Leakage Current	I_{IN}	$V_+ = +5.5V, V_{IN} = 0$ or $5.5V$	-40°C to +85°C			1	μA
DYNAMIC CHARACTERISTICS							
Turn-On Time	t_{ON}	V_{NO} or $V_{NC} = 3.0V,$ $R_L = 300\Omega, C_L = 35pF,$ Test Circuit 2; $V_{IH} = 1.5V, V_{IL} = 0V$	+25°C		26		ns
Turn-Off Time	t_{OFF}	V_{NO} or $V_{NC} = 3.0V,$ $R_L = 300\Omega, C_L = 35pF,$ Test Circuit 2; $V_{IH} = 1.5V, V_{IL} = 0V$	+25°C		20		ns
Break-Before-Make Time Delay	t_d	V_{NO1} or $V_{NC1} = V_{NO2}$ or $V_{NC2} = 3V,$ $R_L = 300\Omega, C_L = 35pF,$ Test Circuit 3	+25°C		4		ns
Skew	t_{SKEW}	$R_S = 39\Omega, C_L = 50pF,$ Test Circuit 4	+25°C		5.8		ns
Off Isolation	O_{ISO}	$R_L = 50\Omega, C_L = 5pF,$ Signal = 0dBm, Test Circuit 5	f = 10MHz	+25°C		-57	dB
			f = 1MHz	+25°C		-76	dB
Channel-to-Channel Crosstalk	X_{TALK}	$R_L = 50\Omega, C_L = 5pF,$ Test Circuit 6	f = 10MHz	+25°C		-99	dB
			f = 1MHz	+25°C		-110	dB
Bandwidth -3 dB	BW	Signal = 0dBm, $R_L = 50\Omega, C_L = 5pF,$ Test Circuit 7	+25°C		300		MHz
Source OFF Capacitance	$C_{NC(OFF)}, C_{NO(OFF)}$	f = 1MHz	+25°C		5.5		pF
Channel ON Capacitance	$C_{NC(ON)}, C_{NO(ON)},$ $C_{COM(ON)}$	f = 1MHz	+25°C		15.5		pF
POWER REQUIREMENTS							
Power Supply Range	V_+		-40°C to +85°C	1.8		5.5	V
Power Supply Current	I_+	$V_+ = +5.5V, V_{IN} = 0V$ or V_+	-40°C to +85°C			5	μA

Specifications subject to change without notice.

ORDERING INFORMATION

MODEL	PIN-PACKAGE	SPECIFIED TEMPERATURE RANGE	ORDERING NUMBER	PACKAGE MARKING	PACKAGE OPTION
SGM4717	CSP-10	- 40°C to +85°C	SGM4717YG/TR	4717YG	Tape and Reel, 3000
	MSOP-10	- 40°C to +85°C	SGM4717YMS/TR	SGM4717YMS	Tape and Reel, 3000

ABSOLUTE MAXIMUM RATINGS

V₊, IN to GND..... - 0.3V to +6V
 Analog, Digital voltage range(1)..... - 0.3V to (V₊ + 0.3V)
 Continuous Current NO, NC, or COM..... ±200mA
 Peak Current NO, NC, or COM..... ±300mA
 Operating Temperature Range..... - 40°C to +85°C

Junction Temperature.....+150°C
 Storage Temperature..... - 65°C to +150°C
 Lead Temperature (soldering, 10s).....+260°C
 ESD(HBM).....2000V

Stresses beyond those listed under “Absolute Maximum Ratings” may cause permanent damage to the device. These are stress ratings only, and functional operation of the device at these or any other conditions beyond those indicated in the operational sections of the specifications is not implied. Exposure to absolute maximum rating conditions for extended periods may affect device reliability.

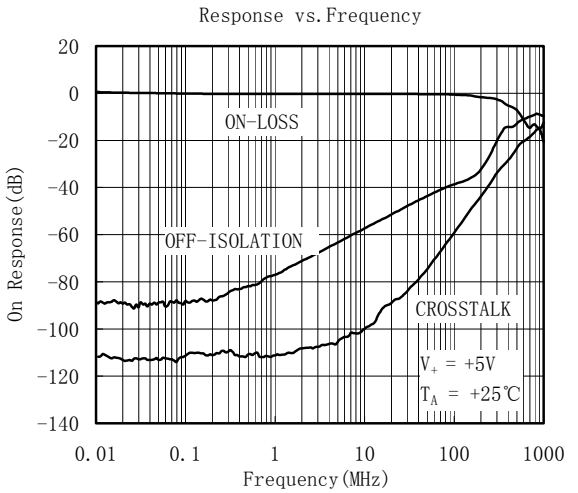
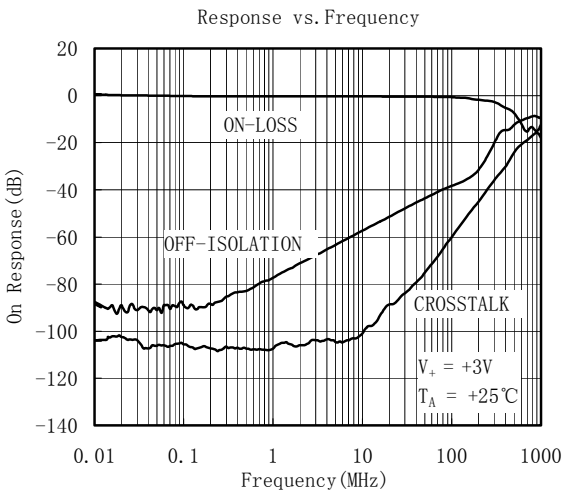
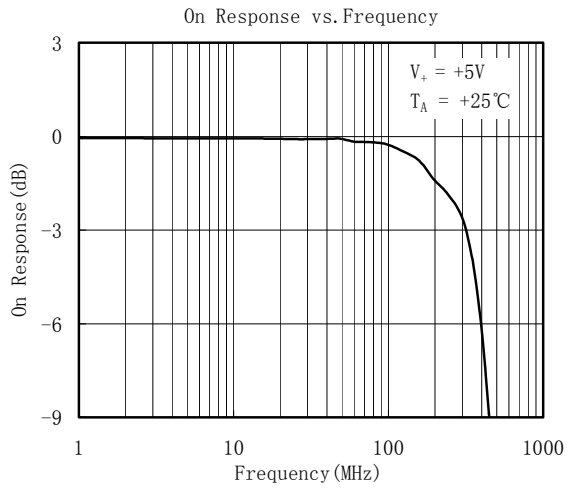
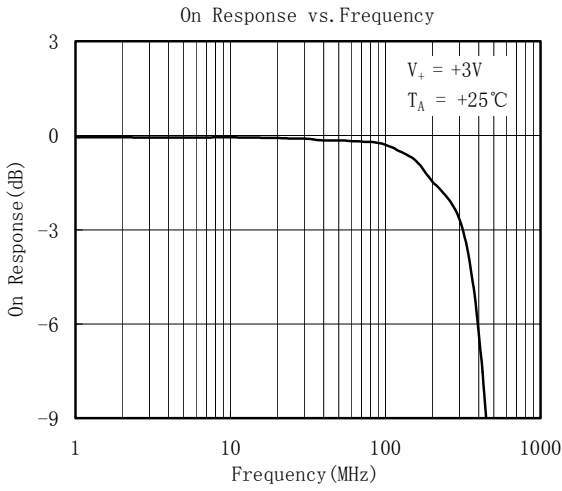
(1) Signals on NC, NO, or COM or IN exceeding V₊ will be clamped by internal diodes. Limit forward diode current to maximum current ratings.

PIN DESCRIPTION

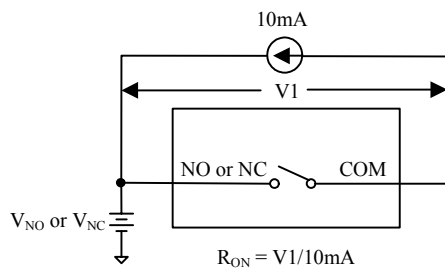
NAME	FUNCTION
V ₊	Power supply
GND	ground
IN1, IN2	Digital control pin to connect the COM terminal to the NO or NC terminals
COM1, COM2	Common terminal
NO1, NO2	Normally-open terminal
NC1, NC2	Normally-closed terminal

Note: NO, NC and COM terminal may be an input or output.

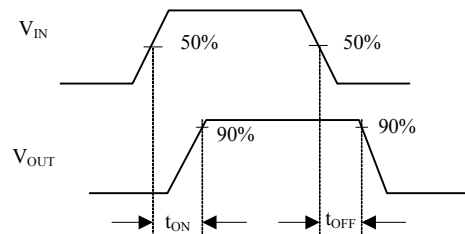
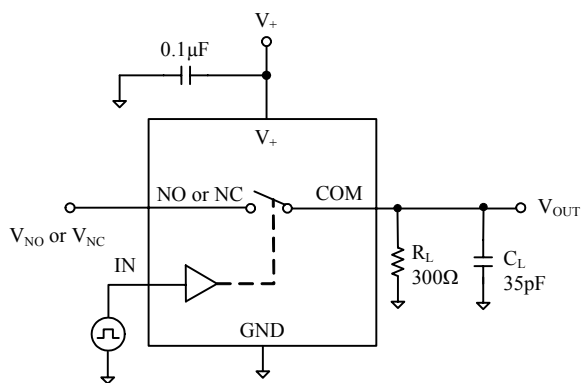
TYPICAL PERFORMANCE CHARACTERISTICS



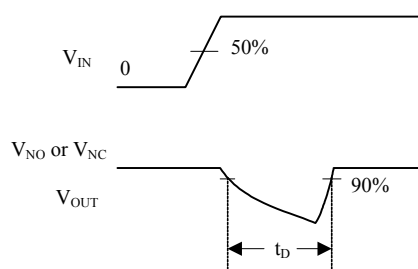
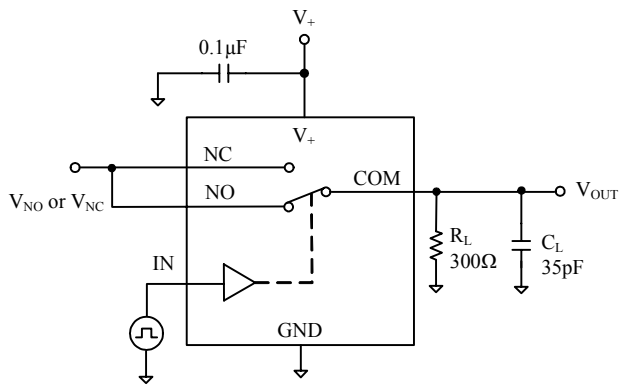
TEST CIRCUITS



Test Circuit 1. On Resistance

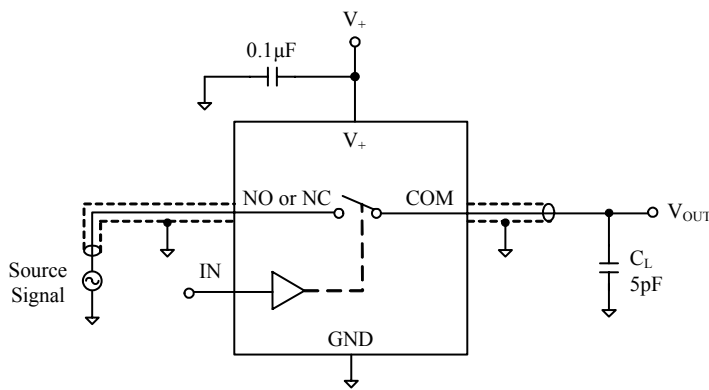
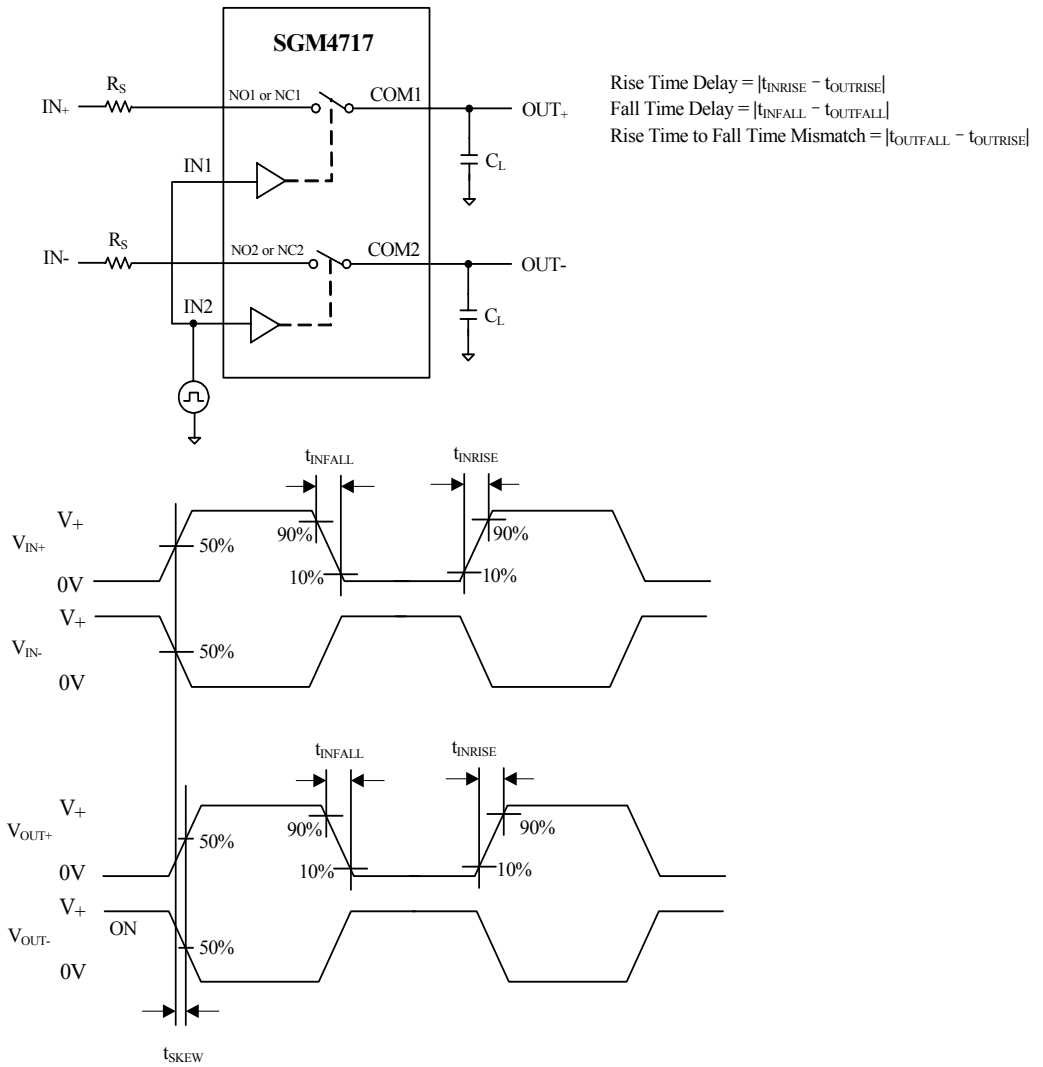


Test Circuit 2. Switching Times

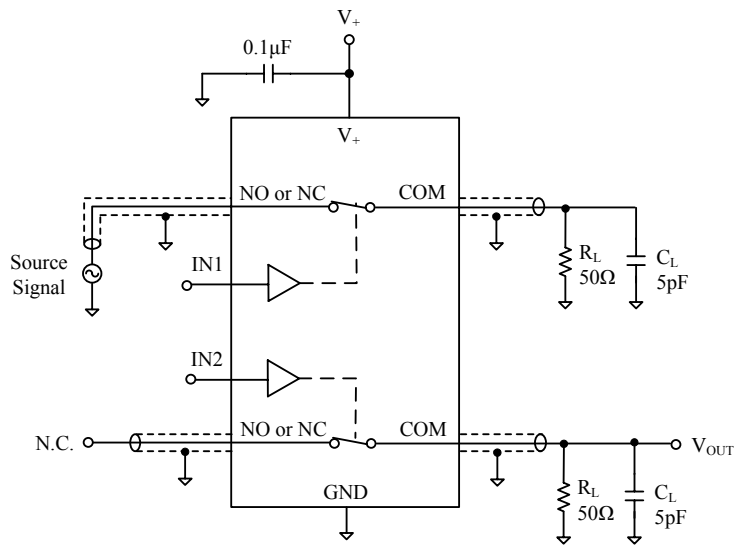


Test Circuit 3. Break-Before-Make Time Delay, t_D

TEST CIRCUITS (Cont.)

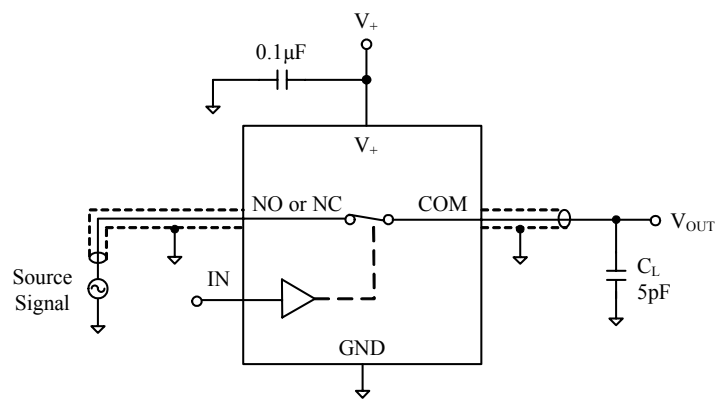


TEST CIRCUITS (Cont.)



$$\text{Channel To Channel Crosstalk} = -20 \times \log \frac{V_{\text{NO or V}_{\text{NC}}}}{V_{\text{OUT}}}$$

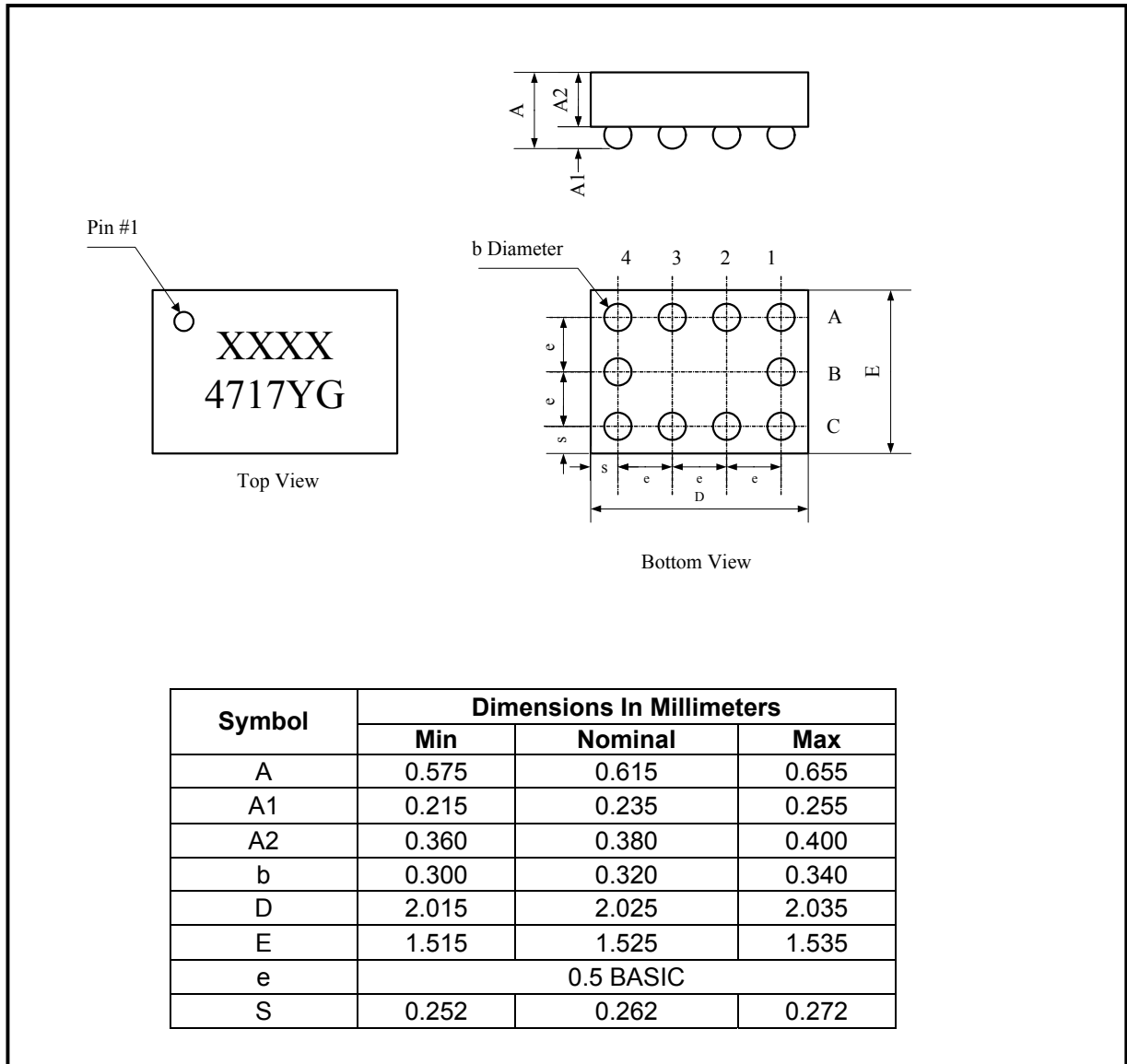
Test Circuit 6. Channel-to-Channel Crosstalk



Test Circuit 7. Bandwidth

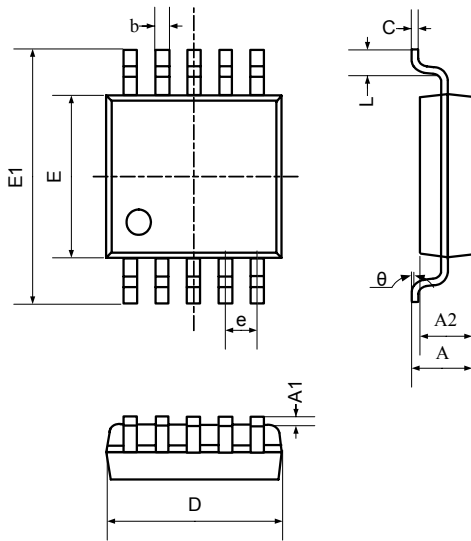
PACKAGE OUTLINE DIMENSIONS

CSP-10



PACKAGE OUTLINE DIMENSIONS

MSOP-10



Symbol	Dimensions In Millimeters		Dimensions In Inches	
	Min	Max	Min	Max
A	0.800	1.200	0.031	0.047
A1	0.000	0.200	0.000	0.008
A2	0.760	0.970	0.030	0.038
b	0.30 TYP		0.012 TYP	
c	0.152 TYP		0.006 TYP	
D	2.900	3.100	0.114	0.122
e	0.50 TYP		0.020 TYP	
E	2.900	3.100	0.114	0.122
E1	4.700	5.100	0.185	0.201
L	0.410	0.650	0.016	0.026
θ	0°	6°	0°	6°

REVISION HISTORY

Location	Page
08/07— Data Sheet REV.A	
10/07— Data Sheet changed from REV.A to REV.B	
Changes to TYPICAL PERFORMANCE CHARACTERISTICS	5

Shengbang Microelectronics Co, Ltd

Unit 3, ChuangYe Plaza
No.5, TaiHu Northern Street, YingBin Road Centralized Industrial Park
Harbin Development Zone
Harbin, HeiLongJiang 150078
P.R. China
Tel.: 86-451-84348461
Fax: 86-451-84308461
www.sg-micro.com