

ATS660LSB

True Zero Speed Hall Effect Adaptive Gear Tooth Sensors

Discontinued Product

These parts are no longer in production. The device should not be purchased for new design applications. Samples are no longer available.

Date of status change: May 1, 2006

Recommended Substitutions:

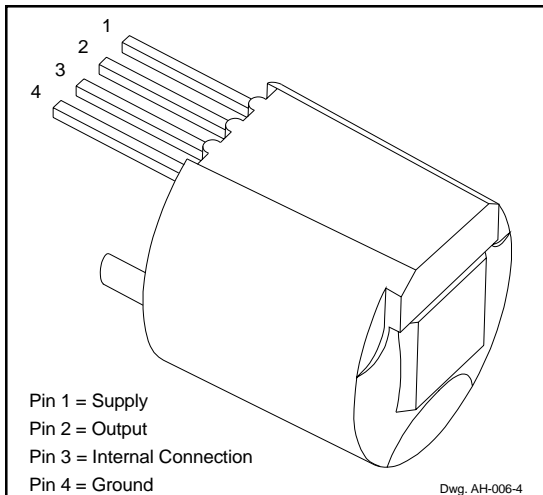
NOTE: For detailed information on purchasing options, contact your local Allegro field applications engineer or sales representative.

Allegro MicroSystems, Inc. reserves the right to make, from time to time, revisions to the anticipated product life cycle plan for a product to accommodate changes in production capabilities, alternative product availabilities, or market demand. The information included herein is believed to be accurate and reliable. However, Allegro MicroSystems, Inc. assumes no responsibility for its use; nor for any infringements of patents or other rights of third parties which may result from its use.



ATS660LSB

TRUE ZERO-SPEED, HALL-EFFECT ADAPTIVE GEAR-TOOTH SENSOR



ABSOLUTE MAXIMUM RATINGS at $T_A = 25^\circ\text{C}$

| | |
|--|------------------|
| Supply Voltage, V_{CC} | 26.5 V* |
| Reverse Supply Voltage, V_{RCC} | -24 V |
| Output OFF Voltage, V_{OUT} | 26.5 V |
| Reverse Output Voltage, V_{ROUT} | -24 V |
| Continuous Output Current, I_{OUT} | 20 mA |
| Reverse Output Current, I_{ROUT} | 50 mA |
| Package Power Dissipation, P_D | See Graph |
| Operating Temperature Range, T_A | -40°C to +150°C* |
| Junction Temperature, (continuous), T_J | +165°C |
| (100 hr), T_{JM} | +180°C |
| Storage Temperature, T_S | +170°C |

* Operation at increased supply voltages with external circuitry is described in Applications Information. Devices for operation at increased temperatures are available on special order.

The ATS660LSB is an ideal gear-tooth sensor solution for uniform teeth targets as found in today's demanding transmission applications. This digital differential Hall-effect sensor is the choice when repeatability and timing accuracy count. The ATS660LSB incorporates patented self-calibration circuitry (U.S. Pat. 5,917,320) that nulls out the effects of installation air gap, ambient temperature, and magnet offsets to provide superior timing accuracy with symmetrical targets over large operating air gaps — typical of targets used in speed-sensing applications (pitches varying from below 0.5 to over 1.2 teeth per diametric millimeter). The self-calibration at power up keeps the performance optimized over the life of the sensor. The ATS660LSB has an open-collector output for direct digital interfacing with no further signal processing required. This device is available in a small 9-mm diameter by 7-mm long package for optimal manufacturing.

The integrated circuit incorporates a dual-element Hall-effect sensor and signal processing that switches in response to differential magnetic signals created by the ferrous gear teeth. The circuitry contains a sophisticated digital circuit to eliminate magnet and system offsets and to achieve true zero-speed operation. D-to-A converters are used to adjust the device gain at power on and to allow air-gap independent switching, which greatly reduces vibration sensitivity of the device.

FEATURES AND BENEFITS

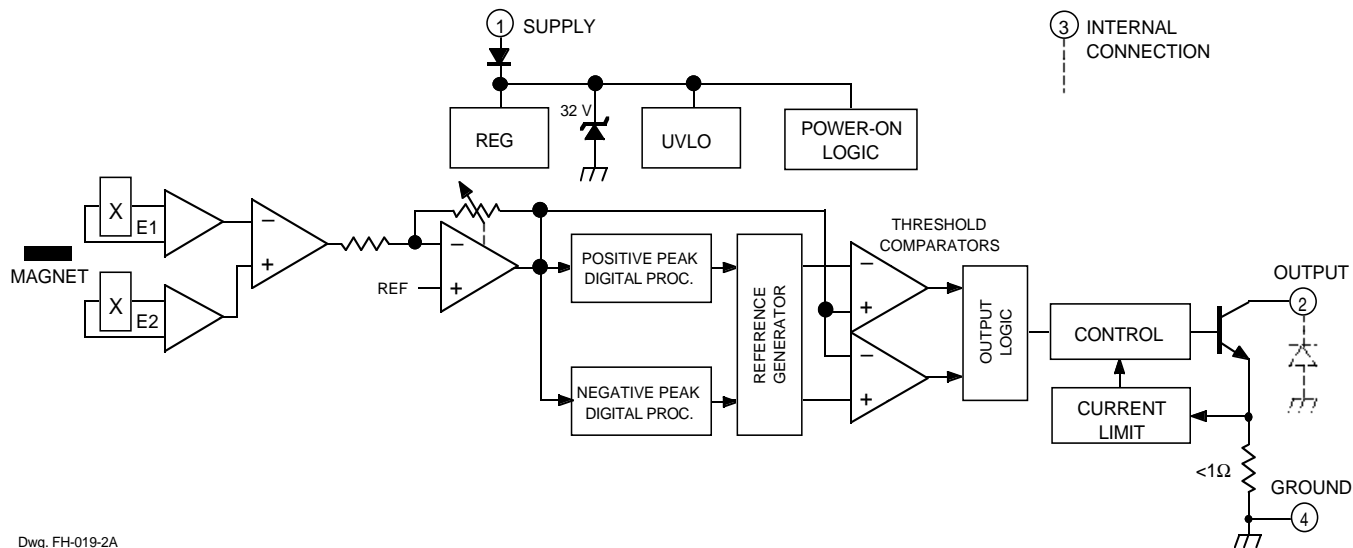
- Fully optimized differential digital gear-tooth sensor
- Single-chip sensing IC for high reliability
- High vibration immunity
- Precise duty cycle
- Small mechanical size (9 mm diameter x 7 mm length)
- Automatic gain control circuitry (self calibration)
- True zero-speed operation
- Under-voltage lockout
- Wide operating temperature range
- Optimized Hall IC magnetic circuit
- Digital signal processing
- Large operating air gap range
- Wide operating voltage range
- Excellent repeatability performance
- Defined power-on state

Always order by complete part number: **ATS660LSB** .

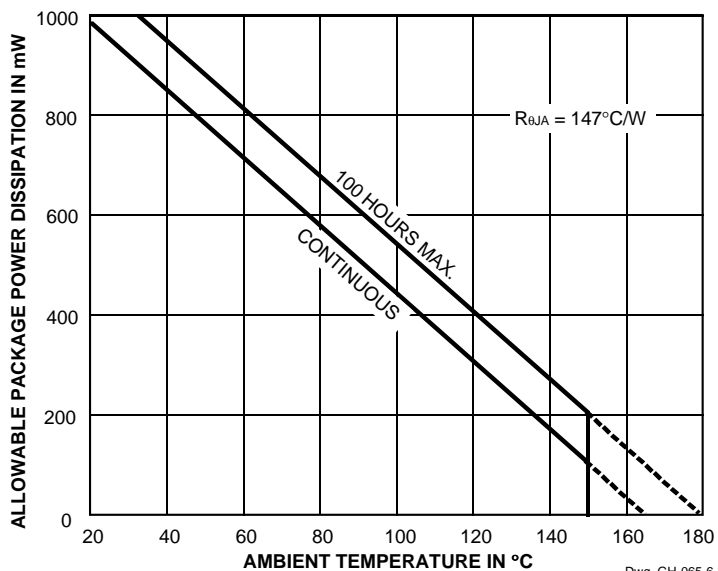
ATS660LSB

TRUE ZERO-SPEED, HALL-EFFECT ADAPTIVE GEAR-TOOTH SENSOR

FUNCTIONAL BLOCK DIAGRAM



Pin 3 must be externally connected to pin 4.



ATS660LSB
TRUE ZERO-SPEED,
HALL-EFFECT ADAPTIVE
GEAR-TOOTH SENSOR

ELECTRICAL CHARACTERISTICS at $V_{CC} = V_{OUT} = 12\text{ V}$ and $T_A = +25^\circ\text{C}$ (unless otherwise noted).

| Characteristic | Symbol | Test Conditions | Limits | | | |
|------------------------|----------------|--|--------|-------|-------|---------------|
| | | | Min. | Typ. | Max. | Units |
| Supply Voltage | V_{CC} | Operating, $T_J < 165^\circ\text{C}$ | 4.5 | 12 | 24 | V |
| Power-On State | POS | $V_{CC} = 0 \rightarrow 5\text{ V}$ | HIGH* | HIGH* | HIGH* | – |
| Under-Voltage Lockout | $V_{CC(UV)}$ | $V_{CC} = 0 \rightarrow 5\text{ V}$ | 4.1 | 4.2 | 4.3 | V |
| Low Output Voltage | $V_{OUT(SAT)}$ | $I_{OUT} = 20\text{ mA}$ | – | 0.2 | 0.4 | V |
| Output Current Limit | I_{OUTM} | | 25 | 45 | 55 | mA |
| Output Leakage Current | I_{OFF} | $V_{OUT} = 24\text{ V}$ | – | 0.2 | 10 | μA |
| Supply Current | I_{CC} | Output off | 3.5 | 7.0 | 12 | mA |
| | | Output on | 5.0 | 8.5 | 14 | mA |
| Output Rise Time | t_r | $R_L = 500\ \Omega$, $C_L = 10\text{ pF}$ | – | 0.2 | 5.0 | μs |
| Output Fall Time | t_f | $R_L = 500\ \Omega$, $C_L = 10\text{ pF}$ | – | 0.2 | 5.0 | μs |
| Power-On Time | t_{on} | Reference gear, $<100\text{ rpm}$ | – | – | 200 | μs |
| Zener Voltage | V_Z | $I_{ZT} = \text{TBD}$ | – | 32 | – | V |

* Output transistor is OFF (high logic level).

ATS660LSB
TRUE ZERO-SPEED,
HALL-EFFECT ADAPTIVE
GEAR-TOOTH SENSOR

OPERATION with reference gear at $T_A = +25^\circ\text{C}$.

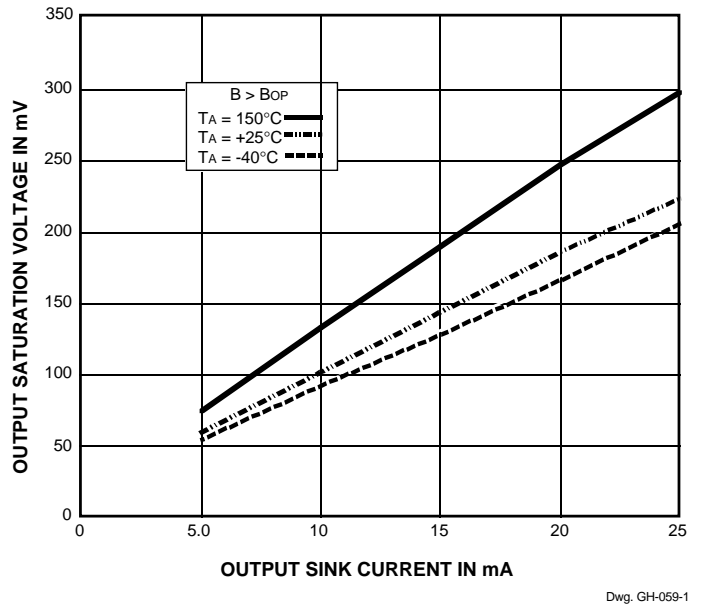
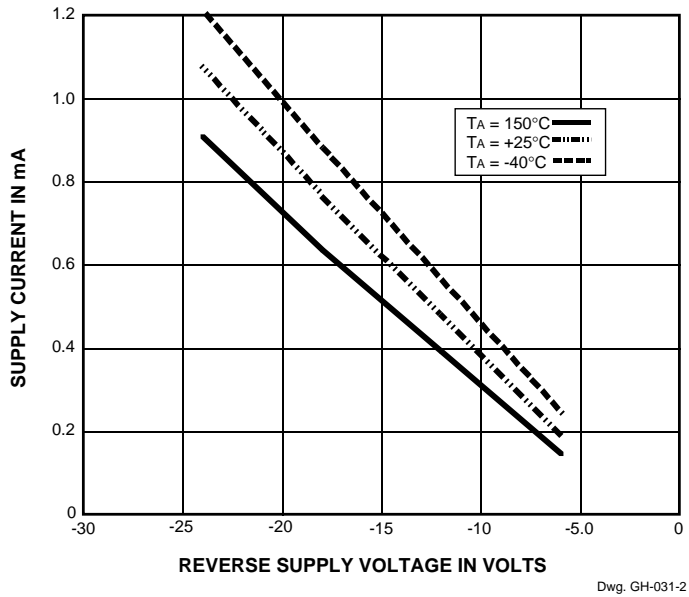
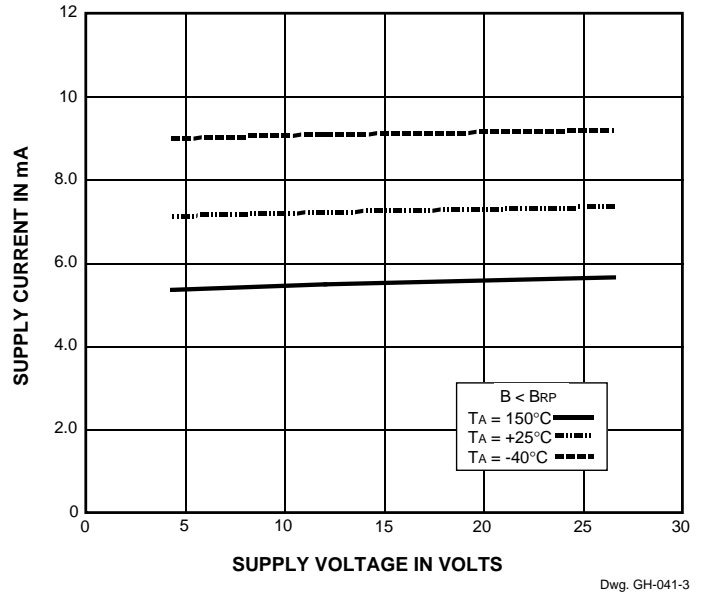
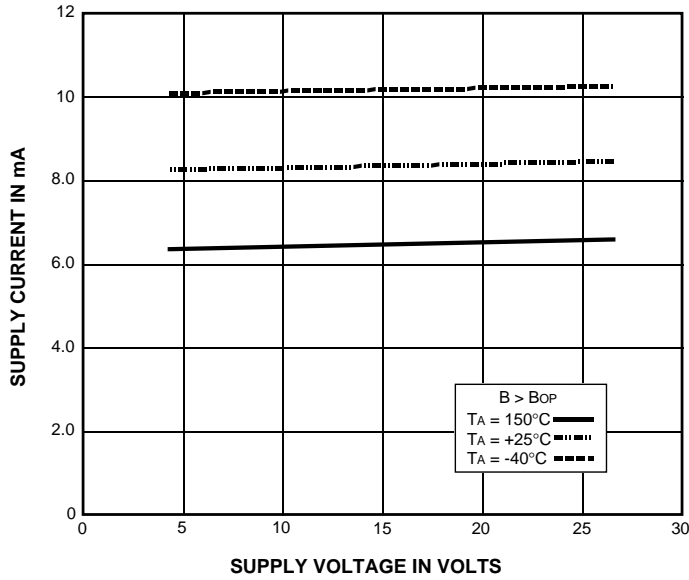
| Characteristic | Symbol | Test Conditions | Limits | | | |
|------------------------|-------------------|---|--------|------|---------|-------|
| | | | Min. | Typ. | Max. | Units |
| Air-Gap Range | AG | Operational | 0.5 | – | 2.5 | mm |
| Calibration Cycle | n_{cal} | Output edges before which calibration is completed | – | 2 | 6 | Edges |
| Recalibration (Update) | n_{rcal} | Operating | 64 | 64 | 64 | Teeth |
| Minimum Speed | v_{min} | Teeth (cycles) per second | – | 0 | – | kHz |
| Maximum Speed | v_{max} | Teeth (cycles) per second | – | 20 | – | kHz |
| Duty Cycle Range | DC | 1000 rpm, $0.5 \text{ mm} < \text{AG} < 2.0 \text{ mm}$ | – | – | ± 5 | % |

REFERENCE GEAR DIMENSIONS

| Characteristic | Symbol | Description | Limits | | | |
|----------------|-------------|-------------|--------|------|------|-------|
| | | | Min. | Typ. | Max. | Units |
| Diameter | D_o | | – | 120 | – | mm |
| Tooth Width | T | | – | 3.0 | – | mm |
| Valley Width | $(p_c - T)$ | | – | 3.0 | – | mm |
| Valley Depth | h_t | | – | 3.0 | – | mm |
| Thickness | F | | 3.0 | – | – | mm |

ATS660LSB TRUE ZERO-SPEED, HALL-EFFECT ADAPTIVE GEAR-TOOTH SENSOR

TYPICAL CHARACTERISTICS



ATS660LSB
TRUE ZERO-SPEED,
HALL-EFFECT ADAPTIVE
GEAR-TOOTH SENSOR

TYPICAL DUTY CYCLE AS A FUNCTION OF AIR GAP

— CURVES COMING

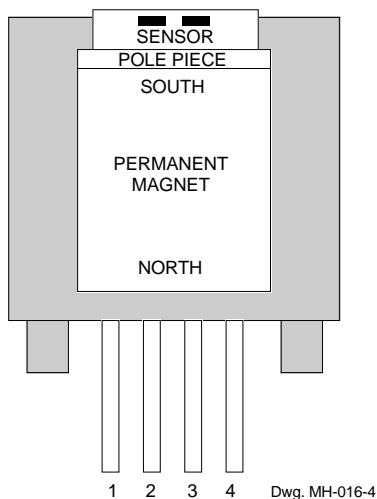
ATS660LSB TRUE ZERO-SPEED, HALL-EFFECT ADAPTIVE GEAR-TOOTH SENSOR

DEVICE DESCRIPTION

Module description. The ATS660LSB true zero-speed gear-tooth sensor system is a Hall IC + magnet configuration that is fully optimized to provide digital detection of gear-tooth* edges in a small package size. The sensor is packaged in a miniature plastic housing that has been optimized for size, ease of assembly, and manufacturability. High operating-temperature materials are used in all aspects of construction.

The use of the sensor is simple. After correct power is applied to the component, it is capable of instantly providing digital information that is representative of the profile of a rotating gear. No additional optimization or processing circuitry is required. This ease of use should reduce design time and incremental assembly costs for most applications.

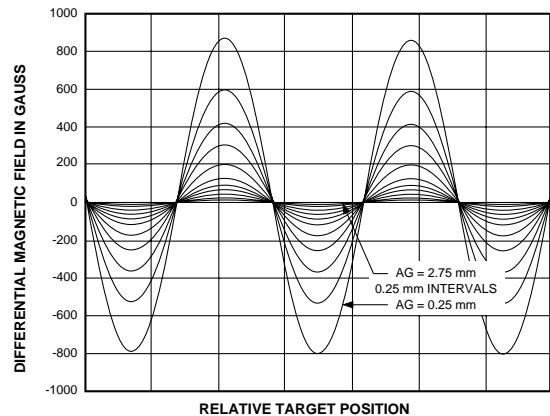
Sensing technology. The gear-tooth sensor module contains a single-chip differential Hall-effect sensor IC, a samarium-cobalt magnet, and a flat ferrous pole piece. The Hall IC consists of two Hall elements spaced 2.2 mm apart, located so as to measure the magnetic gradient created by the passing of a ferrous object (a gear tooth). The two elements measure the field gradient and convert it to a voltage that is then processed to provide a digital output signal.



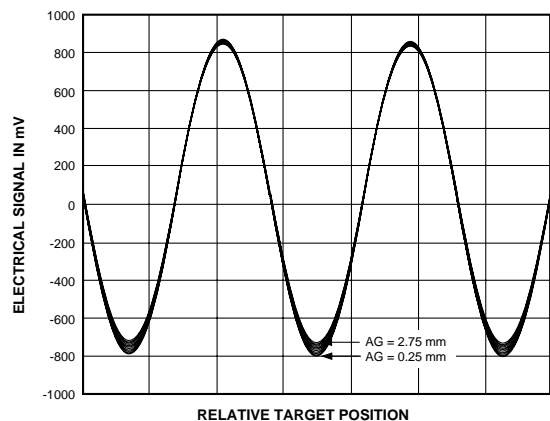
* In application, the terms “gear” and “target” are often interchanged. However, “gear” is preferred when motion is transferred.

Internal electronics. The ATS660LSB is a self-calibrating sensor that contains two Hall-effect elements, a temperature-compensated amplifier, and offset cancellation circuitry. Also contained in the device is a voltage regulator to provide supply rejection over the operating voltage range.

The self-calibrating circuitry is unique. After power up, the device measures the peak-to-peak magnetic signal and adjusts the gain using an on-chip D-to-A converter to make the internal signal amplitude constant independent of the installation air gap of the sensor. This feature allows air-gap-independent operational characteristics.



Magnetic signal



Electrical signal after gain control

ATS660LSB **TRUE ZERO-SPEED,** **HALL-EFFECT ADAPTIVE** **GEAR-TOOTH SENSOR**

DEVICE DESCRIPTION — Continued

In addition to the gain control circuitry, the device also has provisions to zero out chip, magnet, and installation offsets. This is accomplished using two D-to-A converters that capture the peak and valley of the signal and use them as a reference for the switching comparator. This allows the switch points to be precisely controlled independent of air gap or temperature.

The two Hall transducers and the electronics are integrated on a single silicon substrate using a proprietary BiCMOS process.

Solution advantages. The ATS660LSB true zero-speed detecting gear-tooth sensor uses a differential Hall-element configuration. This configuration is superior in most applications to a classical single-element GTS. The single-element configuration commonly used requires the detection of an extremely small signal (often <100 G) that is superimposed on an extremely large back biased field, often 1500 G to 3500 G. For most gear configurations, the back-biased field values change due to concentration effects, resulting in a varying baseline with air gap, with eccentricities, and with vibration. The differential configuration eliminates the effects of the back-biased field through subtraction and, hence, avoids the issues presented by the single Hall element. The signal-processing circuitry also greatly enhances the functionality of this device.

Other advantages are

- temperature drift* — changes in temperature do not greatly affect this device due to the stable amplifier design and the offset rejection circuitry,
- timing accuracy/duty cycle variation due to air gap* — the accuracy variation caused by air-gap changes is minimized by the self-calibration circuitry. A two-to-three times improvement can be seen over conventional zero-crossing detectors,
- dual edge detection — because this device references the positive and negative peaks of the signal, dual edge detection is guaranteed,

- immunity to magnetic overshoot — the air-gap independent hysteresis minimizes the impact of overshoot on the switching of device output,
- response to surface defects in the gear — the gain-adjust circuitry reduces the effect of minor gear anomalies that would normally causes false switching,
- immunity to vibration and backlash — the gain-adjust circuitry keeps the hysteresis of the device roughly proportional to the peak-to-peak signal. This allows the device to have good immunity to vibration even when operating at close air gaps,
- immunity to gear run out — the differential-sensor configuration eliminates the base-line variations caused by gear run out, and
- use with stamped-gear configurations — the high-sensitivity switch points allow the use of stamped gears. The shallow mechanical slopes created by the stamping process create an acceptable magnetic gradient down to zero speed. The surface defects caused by stamping the gear are ignored through the use of gain control circuitry.

Operation versus air-gap/tooth geometry. Operating specifications are impacted by tooth size, valley size and depth, gear material, and gear thickness. In general, the following guidelines should be followed to achieve greater than 2 mm air gap from the face of unit:

- tooth width (T) > 2 mm;
- valley width ($p_c - T$) > 2 mm;
- valley depth (h_t) > 2 mm;
- gear thickness (F) > 3 mm; and the
- gear material must be low-carbon steel.

* Target must be rotating for proper update algorithm operation.

ATS660LSB TRUE ZERO-SPEED, HALL-EFFECT ADAPTIVE GEAR-TOOTH SENSOR

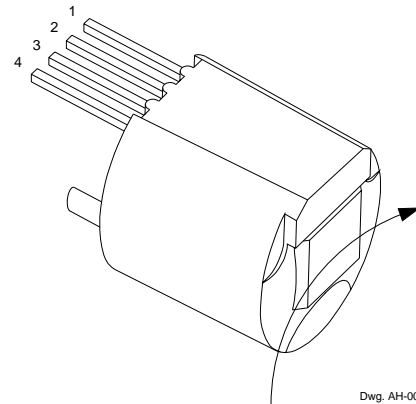
DEVICE DESCRIPTION — Continued

Power-on state operation. The device is guaranteed to power on (power up) in the off state (high output voltage) regardless of the presence or absence of a gear tooth.

Under-voltage lockout. If the supply voltage falls below the minimum operating voltage ($V_{CC(UV)}$), the device output will turn off (high output voltage) and stay off irrespective of the state of the magnetic field. This prevents false signals caused by under-voltage conditions from propagating through to the output of the sensor.

Output. The output of the sensor is a short-circuit-protected open-collector stage capable of sinking 20 mA. An external pull-up (resistor) to a supply voltage of not more than 26.5 V must be supplied.

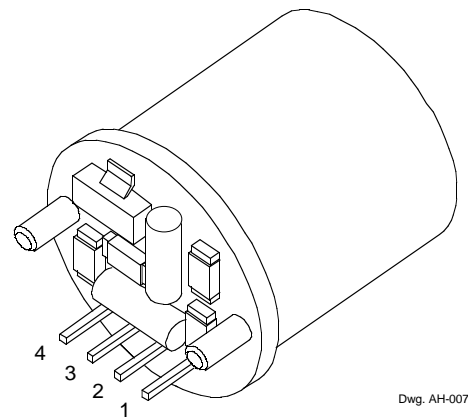
Output polarity. The output of the device will switch from off to on as the leading edge of the target passes the sensor in the direction indicated (pin 4 to pin 1), which means that the output voltage will be low when the unit is facing a tooth. If rotation is in the opposite direction (pin 1 to pin 4), the output of the device will switch from on to off as the leading edge of the target passes the sensor, which means that the output voltage will be high when the unit is facing a tooth.



APPLICATIONS INFORMATION

Power supply protection. The device contains an on-chip regulator and can operate over a wide supply voltage range. For devices that need to operate from an unregulated power supply, transient protection should be added externally. For applications using a regulated line, EMI/RFI protection is still required. Incorrect protection can result in unexplained pulses on the output line, providing inaccurate sensing information to the user.

EMI protection circuitry can easily be added to a PC board for use with this device. Provisions have been made for easy mounting of this board on the back of the unit. PC board installation parallel to the device axis is also possible.



ATS660LSB

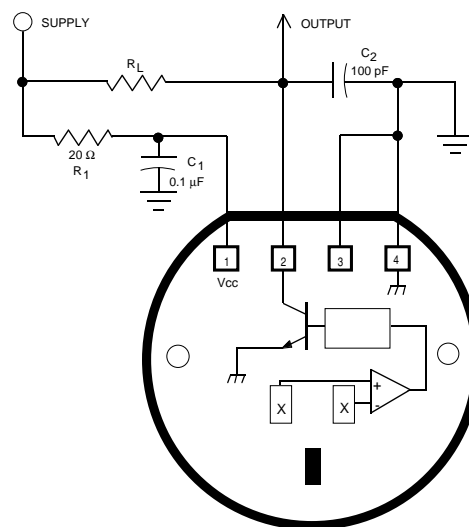
TRUE ZERO-SPEED, HALL-EFFECT ADAPTIVE GEAR-TOOTH SENSOR

APPLICATIONS INFORMATION — Continued

Operation from a regulated power supply. These devices require minimal protection circuitry during operation from a low-voltage regulated line. The on-chip voltage regulator provides immunity to power supply variations between 4.5V and 26.5V. However, even while operating from a regulated line, some supply and output filtering is required to provide immunity to coupled and injected noise on the supply line. A basic RC low-pass circuit (R_1C_1) on the supply line and an optional output capacitor (C_2) is recommended for operation in noisy environments. Because the device has an open-collector output, an output pull-up resistor (R_L) must be included either at the sensor output (pin 2) or by the signal processor input.

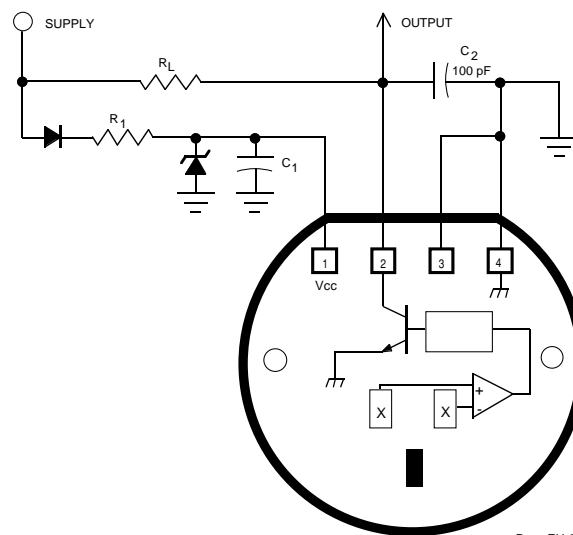
Operation from an unregulated power supply. In automotive applications, where the device receives its power from an unregulated supply such as the battery, full protection is generally required so that the device can withstand the many supply-side transients. Specifications for such transients vary between car manufacturers, and protection-circuit design should be optimized for each application.

In the circuit shown, a standard protection circuit is constructed using discrete components. The Zener diode is used to provide over-voltage protection against load dumps greater than about 40 V; for load dumps less than about 40 V, the internal Zener is sufficient. The series resistor (R) provides current limiting and with the capacitor (C) noise filtering. The Zener diode and current-limiting resistor should be sized for power dissipation requirements. The series diode protects the external Zener diode against reverse battery and provides protection against transients greater than -24 V; it must be rated to withstand the most negative transient. In many transmission applications there is already a Zener diode in the TCU, and the diode and external Zener are not necessary.



Dwg. EH-008-7

Operation from regulated supply



Dwg. EH-008-6

Operation from unregulated supply

ATS660LSB TRUE ZERO-SPEED, HALL-EFFECT ADAPTIVE GEAR-TOOTH SENSOR

APPLICATIONS INFORMATION — Continued

Recommended evaluation technique. The self-calibrating feature of the ATS660LSB requires that a special evaluation technique be used to measure its high-accuracy performance capabilities. Installation inaccuracies are calibrated out at power on; hence, it is extremely important that the device be repowered at each air gap when gathering duty cycle data.

The ATS660LSB is designed to minimize performance variation (caused by the large air-gap variations resulting from installation) by self-calibrating at power-on. These functions should be tested using the procedures described below.

Duty cycle capabilities after correct self-calibration can be measured as follows:

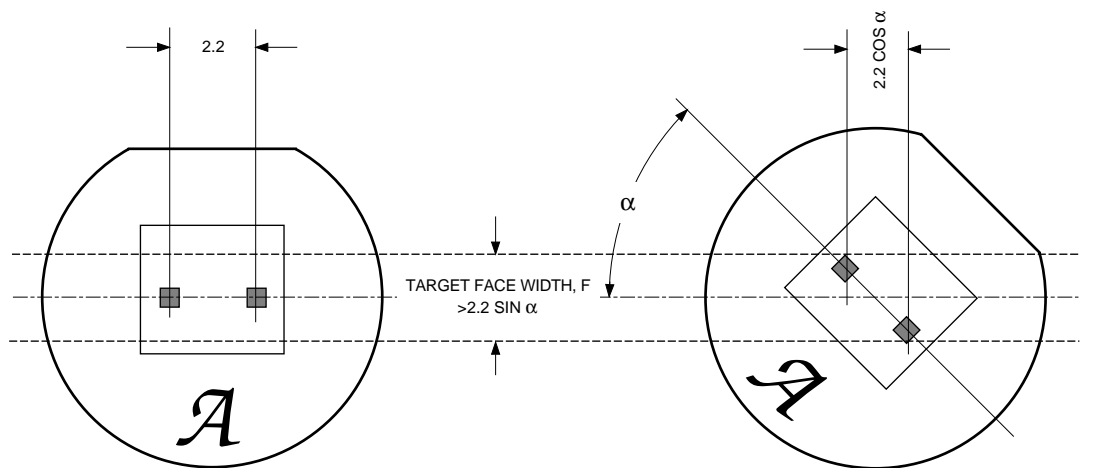
1. Set the air gap to the desired value.
2. Power down and then power up the device.
3. Rotate the gear at the desired speed.
4. Wait for calibration to complete (64 output pulses to occur).
5. Monitor output for correct switching and measure accuracy.
6. Repeat the above for multiple air gaps within the operating range of the device.
7. This can be repeated over the entire operating temperature range.

There is an internal update algorithm that will maintain the correct duty cycle as air gap changes with temperature. Large changes in air gap will require the part to be reset (by cycling power) to maintain the correct duty cycle.

Measurement of the effect of changing air gap after power up:

1. Set the air gap to the desired value (nominal, for example). Rotate the gear at the desired speed. Apply power to the module. Wait for 64 output pulses to occur. Monitor output for correct switching and measure accuracy.
2. Change the air gap by ± 0.25 mm. Do not re-power the module. Wait for update algorithm to finish adjusting thresholds, typically 1 to 2 rotations on a 60-tooth gear.

Operation with fine-pitch gears. For targets with a circular pitch of less than 4mm, a performance improvement can be observed by rotating the front face of the sensor. This sensor rotation decreases the effective sensor-to-sensor spacing and increases the capability of detecting fine tooth or valley configurations, provided that the Hall elements are not rotated beyond the width of the target.



ATS660LSB
TRUE ZERO-SPEED,
HALL-EFFECT ADAPTIVE
GEAR-TOOTH SENSOR

APPLICATIONS INFORMATION — Continued

Signal timing accuracy. The magnetic field profile width is defined by the sensor element spacing and narrows in degrees as the target diameter increases. This results in improved timing accuracy performance for larger gear diameters (for the same number of gear teeth). Valley-to-tooth transitions will generally provide better accuracy than tooth-to-valley transitions for large-tooth or large-valley configurations. For highest accuracy, targets greater than 100mm in diameter should be used.

Additional applications Information on gear-tooth and other Hall-effect sensors is also available in the “Hall-Effect IC Applications Guide”, which can be found in the latest issue of the Allegro MicroSystems Electronic Data Book, AMS-702 or Application Note 27701, or at

www.allegromicro.com

CRITERIA FOR DEVICE QUALIFICATION

All Allegro sensors are subjected to stringent qualification requirements prior to being released to production. To become qualified, except for the destructive ESD tests, no failures are permitted.

| Qualification Test | Test Method and Test Conditions | Test Length | Samples Per Lot | Comments |
|--------------------------------------|--|------------------|-----------------|---|
| Temperature Humidity Bias Life | JESD22-A101, $T_A = 85^\circ\text{C}$, RH = 85% | 1000 hrs | 77 | Device biased for minimum power |
| Bias Life (Surge Operating Life) | JESD22-A108, $T_A = 150^\circ\text{C}$, $T_J \leq 165^\circ\text{C}$ | 1000 hrs | 77 | |
| | $T_A = 175^\circ\text{C}$, $T_J \leq 190^\circ\text{C}$ | 168 hrs | 77 | |
| Autoclave, Unbiased | JESD22-A102, $T_A = 121^\circ\text{C}$, 15 psig | 96 hrs | 77 | |
| High-Temperature (Bake) Storage Life | JESD22-A103, $T_A = 170^\circ\text{C}$ | 1000 hrs | 77 | |
| Temperature Cycle | JESD22-A104 | 1000 cycles | 77 | -55°C to $+150^\circ\text{C}$ |
| ESD, Human Body Model | CDF-AEC-Q100-002 | Pre/Post Reading | 3 per test | Test to failure All leads > x kV |

ATS660LSB
TRUE ZERO-SPEED,
HALL-EFFECT ADAPTIVE
GEAR-TOOTH SENSOR

MECHANICAL INFORMATION

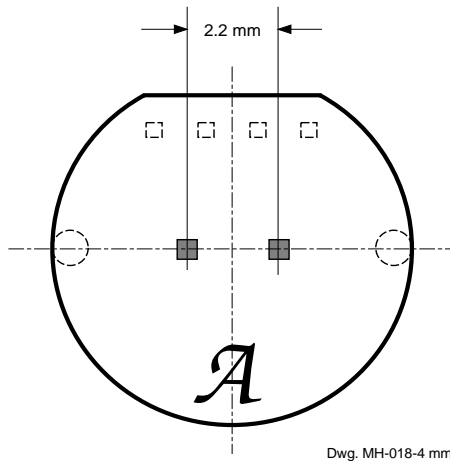
| Component | Material | Function | Units |
|-----------------|-----------------------------|--|-------------------------|
| Sensor Face | Thermoset epoxy | Maximum temperature | 170°C* |
| Plastic Housing | Thermoplastic PBT | 264 psi deflection temp. (DTUL) 66 psi deflection temp. (DTUL) Approximate melting temperature | 204°C 216°C 225°C |
| Leads | Copper | — | — |
| Lead Finish | 90/10 tin/lead solder plate | — | † |
| Lead Pull | — | — | 8 N |

*Temperature excursions to 225 °C for 2 minutes or less are permitted.

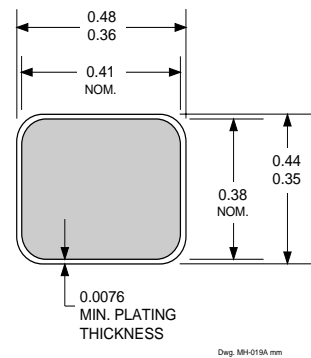
† All industry-accepted soldering techniques are permitted for these modules provided the indicated maximum temperature for each component (e.g., sensor face, plastic housing) is not exceeded. Reasonable dwell times, which do not cause melting of the plastic housing, should be used.

Sensor location (in millimeters)

(sensor location relative to package center is the design objective)

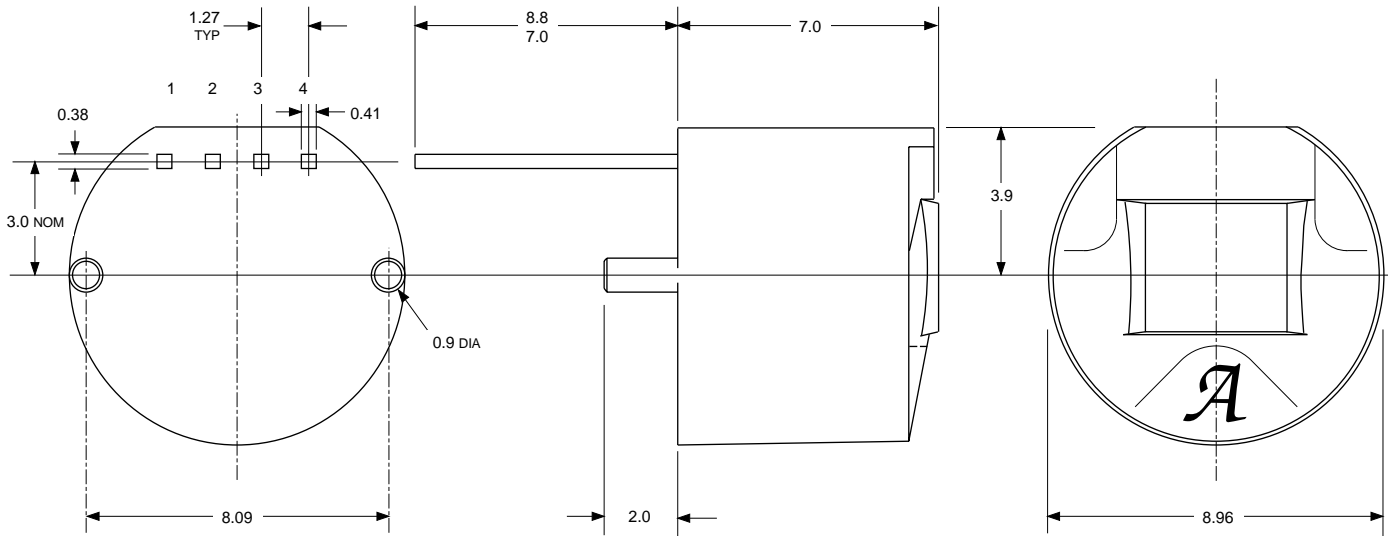


Lead cross section (in millimeters)



ATS660LSB
TRUE ZERO-SPEED,
HALL-EFFECT ADAPTIVE
GEAR-TOOTH SENSOR

DIMENSIONS IN MILLIMETERS



Dwg. MH-017-1B mm

Tolerances, unless otherwise specified: 1 place ± 0.1 mm, 2 places ± 0.05 mm.

ATS660LSB
TRUE ZERO-SPEED,
HALL-EFFECT ADAPTIVE
GEAR-TOOTH SENSOR

ADAPTIVE THRESHOLD SENSORS
(Modules containing sensor & magnet)

| Part Number | Supply Voltage (V) | Power-On State | Specified Air-Gap Range (mm at >20 rpm) | Timing Accuracy | Minimum Speed (rpm) | Target or Gear Pitch |
|--------------|--------------------|----------------|---|--------------------|---------------------|----------------------|
| ATS610LSA | 3.5 to 16 | Off | 0.4 to 2.25 | ±1° (Typ ±0.5°) | 10 | Coarse |
| ATS611LSB | 3.5 to 16 | Off | 0.4 to 2.50 | ±1° (Typ ±0.5°) | 10 | Fine |
| ATS612LSB | 3.6 to 24 | Off | 0.4 to 2.50 | ±0.75° (Typ ±0.5°) | 10 | Coarse/fine |
| ATS622LSB* | 4.5 to 24 | Off | 0.5 to 2.50 | ±0.5° (Typ ±0.25°) | Zero | Coarse/fine |
| ATS660LSB | 4.5 to 24 | Off | 0.5 to 2.50 | — | Zero | Coarse/fine |
| ATS665LSG | 3.3 to 24 | Off | 0.5 to 2.50 | — | Zero | Coarse/fine |
| ATS672LSB-LN | 3.3 to 26.5 | — | 0.5 to 2.25 | ±0.4° (Typ ±0.25°) | Zero | Coarse |

* Some restrictions may apply to certain types of sales. Contact factory for details.

| Part Number | Operating Temp. Range | Salient Features and Key Applications |
|--------------|-----------------------|--|
| ATS610LSA | -40°C to +150°C | Target position, speed sensing, crankshaft or camshaft angle/position. Automotive or industrial large-tooth target. |
| ATS611LSB | -40°C to +150°C | Shaft or transmission speed sensing, ABS systems. Automotive or industrial small-tooth target. |
| ATS612LSB | -40°C to +150°C | Similar to ATS611 with addition of self calibration 5-bit A/D converter. Can replace ATS610 or ATS611. |
| ATS622LSB* | -40°C to +150°C | Zero-speed, differential peak-detecting sensing elements. Automotive/ignition, high accuracy speed or position sensing. |
| ATS660LSB | -40°C to +150°C | Zero-speed, differential-peak-detecting sensing elements. Target position or speed sensing. Automotive or industrial large/small-tooth target. |
| ATS665LSG | -40°C to +150°C | Zero-speed, differential-peak-detecting sensing elements. Target position or speed sensing. Automotive or industrial large/small-tooth target. |
| ATS672LSB-LN | -40°C to +150°C | Zero-speed, self-calibrating, non-oriented. Camshaft angle/position or speed sensing. Automotive or industrial large-tooth target. Can replace ATS632. |

* Some restrictions may apply to certain types of sales. Contact factory for details.

ATS660LSB
TRUE ZERO-SPEED,
HALL-EFFECT ADAPTIVE
GEAR-TOOTH SENSOR

The products described herein are manufactured under one or more of the following U.S. patents: 5,045,920; 5,264,783; 5,442,283; 5,389,889; 5,581,179; 5,517,112; 5,619,137; 5,621,319; 5,650,719; 5,686,894; 5,694,038; 5,729,130; 5,917,320; and other patents pending.

Allegro MicroSystems, Inc. reserves the right to make, from time to time, such departures from the detail specifications as may be required to permit improvements in the performance, reliability, or manufacturability of its products. Before placing an order, the user is cautioned to verify that the information being relied upon is current.

Allegro products are not authorized for use as critical components in life-support appliances, devices, or systems without express written approval.

The information included herein is believed to be accurate and reliable. However, Allegro MicroSystems, Inc. assumes no responsibility for its use; nor for any infringements of patents or other rights of third parties that may result from its use.