

SMD 915.00 MHz SAW FILTER

AFS915.0W03-TS4

*RoHS COMPLIANT



3 x 3 x 1.5mm

STANDARD SPECIFICATIONS:

CHARACTERISTICS	UNIT	MIN.	TYP.	MAX.
Center Frequency Fc	MHz	-	915.0	-
Pass Bandwidth	MHz	-	±13.0	-
Insertion Loss (902MHz ~ 928MHz)	dB	-	-	3.3
Amplitude Ripple (902MHz ~ 928MHz)	dB	-	-	1.5
Relative Attenuation				
10 ~ 800 MHz	dB	50	-	-
800 ~ 845 MHz	dB	45	-	-
845 ~ 880 MHz	dB	35	-	-
947 ~ 992 MHz	dB	15	-	-
992 ~ 1020 MHz	dB	35	-	-
1020 ~ 1200 MHz	dB	45	-	-
Temperature Coefficient of Frequency	ppm/k	-	-30	-
Terminating Impedance		-	50//0	-
DC Permissive Voltage	V	10		
Operating Temperature Range	°C	0°C to +70°C		
Storage Temperature Range	°C	-40°C to +85°C		
Maximum Input Power	dBm		10	

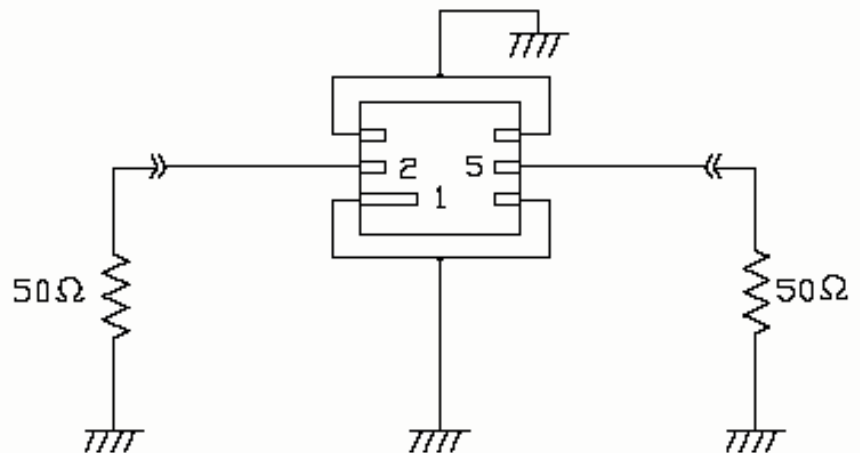
Electrostatic Sensitive Device. Handle with precaution.

MARKING:

- AFS915 (915.0 Frequency in MHz)
- ZYX (ZY: Date code Z for month from A to L; Y for year, i.e. 4 for 2004
X: Traceability code)

PIN NO.	CONNECTIONS
1	Ground
2	Input/Output
3	Ground
4	Ground
5	Output/Input
6	Ground

TEST CIRCUIT:



SMD 915.00 MHz SAW FILTER

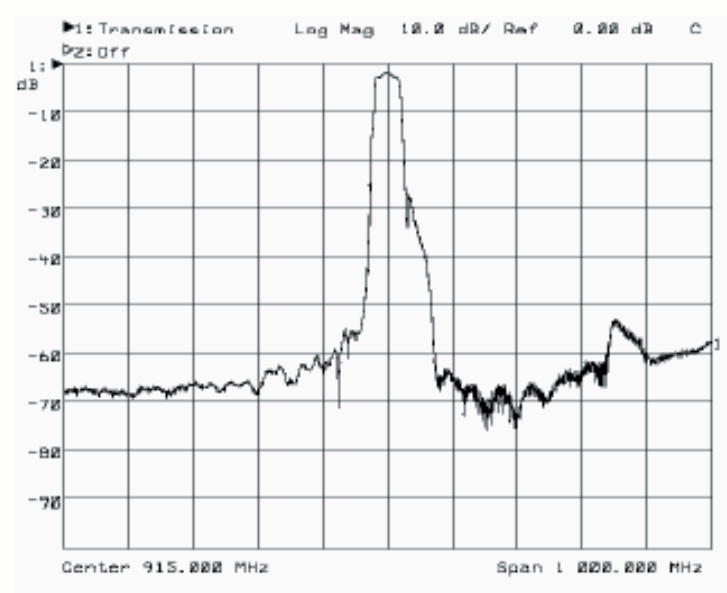
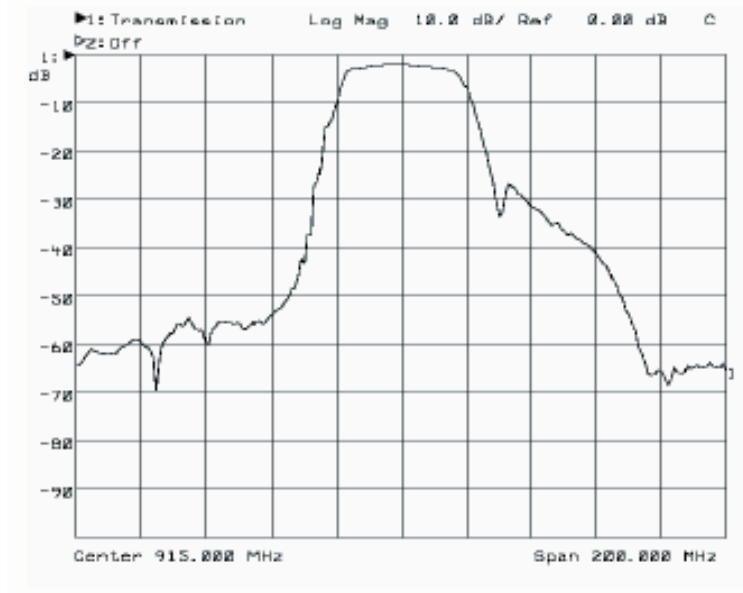
AFS915.0W03-TS4

*RoHS COMPLIANT

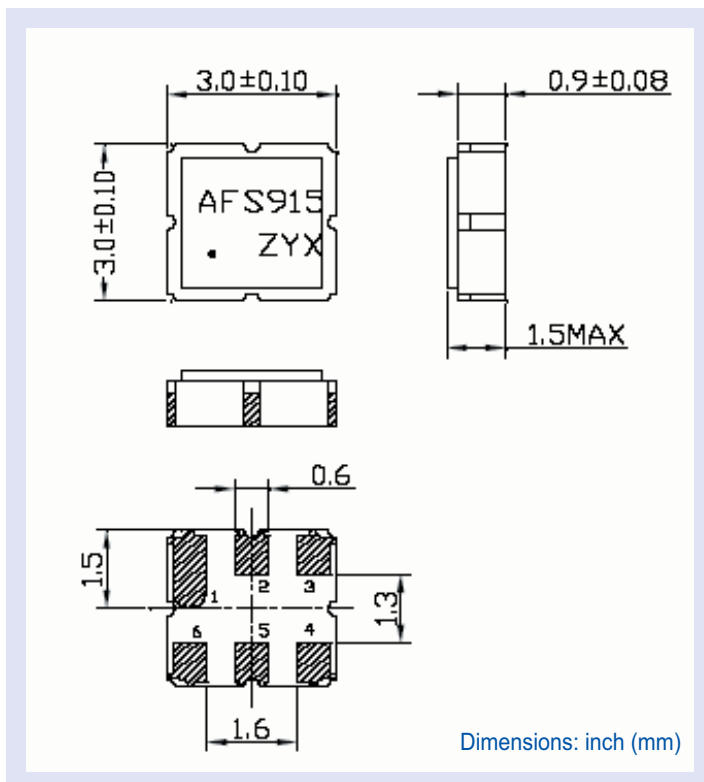


3 x 3 x 1.5mm

➤ FREQUENCY CHARACTERISTICS:



➤ OUTLINE DRAWING:



ABRACON IS
ISO 9001 / QS 9000
CERTIFIED

rev1.1-7/06



ABRACON
CORPORATION

30332 Esperanza, Rancho Santa Margarita, California 92688
tel 949-546-8000 | fax 949-546-8001 | www.abracon.com