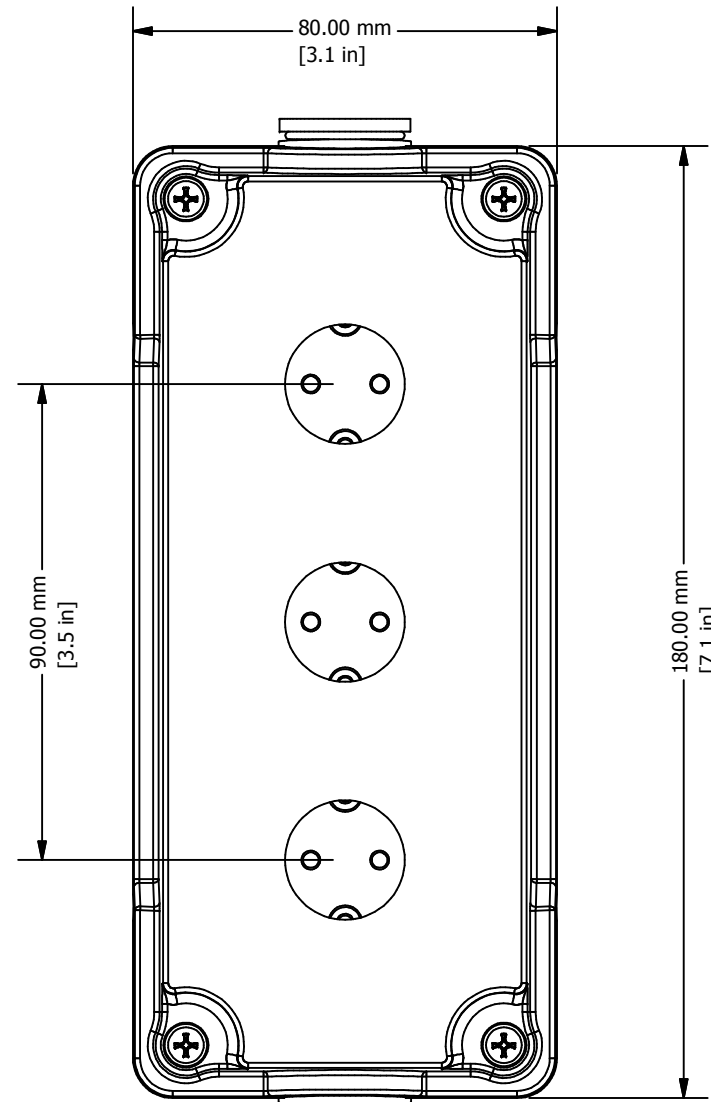
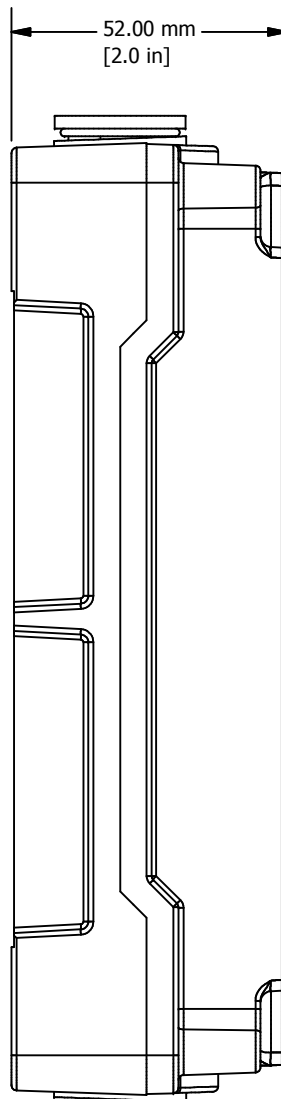
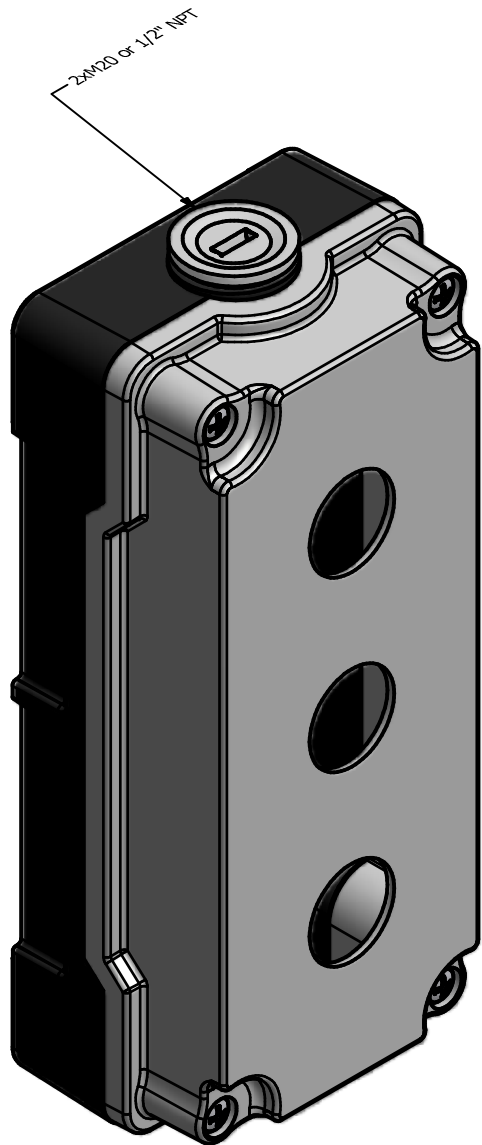


REVISION FOR DWG # 1PB-2007E13

REV	CH.NO.	DESCRIPTION	DATE	REVISED BY
-	-	ORIGINAL DESIGN	11/6/2007	PHILIPP E.



UNLESS OTHERWISE SPECIFIED:
 • ALL DIMENSIONS ARE IN MILLIMETERS
 • THIRD ANGLE PROJECTION



This Drawing is the property of
Altech Corp.

35 Royal Road
 Flemington, NJ 08822-6000
 (908) 806-9400
 Fax (908) 806-9490

M
E
T
R
I
C

TOLERANCE	
XX	= ±1 mm
XX.X	= ±0.5 mm
XX.XX	= ±0.2 mm
ALL	= - mm

AND IS A CONFIDENTIAL DISCLOSURE
 WITHOUT THE CONSIDERATION OF THE BORROWER'S AGREEMENT THAT IT SHALL NOT BE REPRODUCED, COPIED, LENT OR DISPOSED OF DIRECTLY OR INDIRECTLY NOR USED FOR ANY PURPOSE OTHER THAN THAT FOR WHICH IT IS SPECIFICALLY FURNISHED.

TITEL 22 mm Aluminum Enclosure 2007E13 (cable entry thread size: 2xM20) and 2012E13 (cable entry thread size: 2x1/2"-14 NPT)

DRAWN BY: Philipp Ernstberger	11/6/2007	DRAWING NO.:	1PB-2007E13	REV.:	-
CHECKED BY: Laszlo Gyorgypal	11/6/2007	SCALE:	-	SHEET:	1
RELEASED BY: Laszlo Gyorgypal	11/6/2007			OF:	1