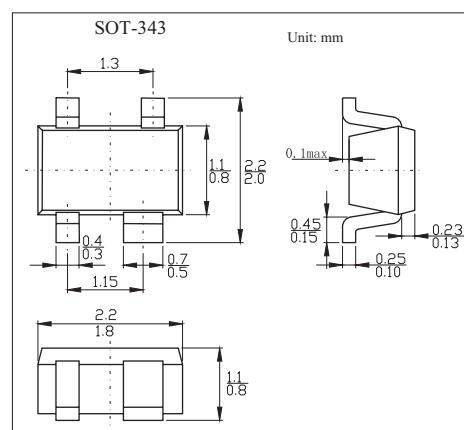


Low Voltage High Speed Switching

1SS383

■ Features

- Composed of 2 independent diodes.
- Low forward voltage: $V_F(3) = 0.54V$ (typ.)
- Low reverse current: $I_R = 5 \mu A$ (max)

■ Absolute Maximum Ratings $T_a = 25^\circ C$

Parameter	Symbol	Rating	Unit
Maximum (peak) reverse voltage	V_{RM}	85	V
Reverse voltage	V_R	80	V
Maximum (peak) forward current	I_{FM}	300 ⁽¹⁾	mA
Average forward current	I_O	100 ⁽¹⁾	mA
Surge current (10 ms)	I_{FSM}	2 ⁽¹⁾	A
Power dissipation	P	150	mW
Junction temperature	T_j	125	$^\circ C$
Storage temperature range	T_{stg}	-55 to +125	$^\circ C$
Operating temperature range	T_{opr}	-40 to +100	$^\circ C$

Note

1. Unit Rating. Total Rating = Unit Rating \times 1.5

■ Electrical Characteristics $T_a = 25^\circ C$

Parameter	Symbol	Conditions	Min	Typ	Max	Unit
Forward voltage	$V_{F(1)}$	$I_F = 1 \text{ mA}$		0.28		V
	$V_{F(2)}$	$I_F = 10 \text{ mA}$		0.36		
	$V_{F(3)}$	$I_F = 100 \text{ mA}$		0.54	0.60	
Reverse current	I_R	$V_R = 40 \text{ V}$			5	μA
Total capacitance	C_T	$V_R = 0 \text{ V}, f = 1 \text{ MHz}$		18	25	pF

■ Marking

Marking	A4
---------	----