

**isc Silicon NPN Power Transistor**

**KSC5321**

**DESCRIPTION**

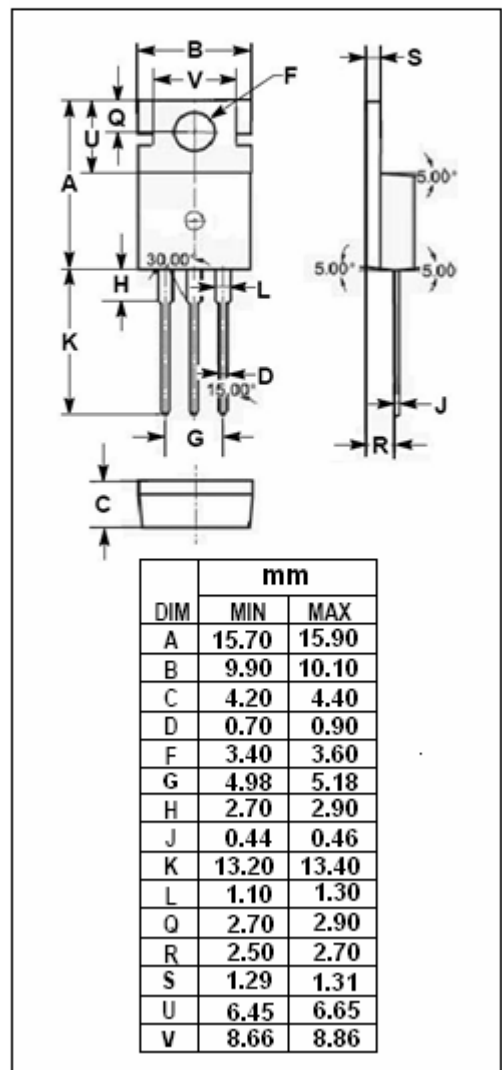
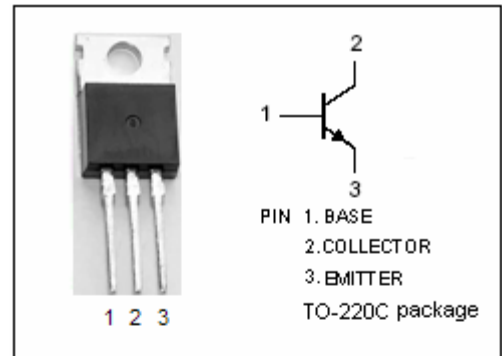
- Collector-Emitter Breakdown Voltage-  
:  $V_{(BR)CEO} = 500V(\text{Min})$
- High Switching Speed
- Wide Area of Safe Operation

**APPLICATIONS**

- Designed for switching regulator and general purpose applications.

**ABSOLUTE MAXIMUM RATINGS( $T_a=25^\circ\text{C}$ )**

SYMBOL	PARAMETER	VALUE	UNIT
$V_{CBO}$	Collector-Base Voltage	800	V
$V_{CEO}$	Collector-Emitter Voltage	500	V
$V_{EBO}$	Emitter-Base Voltage	7	V
$I_C$	Collector Current-Continuous	5	A
$I_{CM}$	Collector Current-Peak	10	A
$I_B$	Base Current-Continuous	2	A
$I_{BM}$	Base Current-Peak	4	A
$P_C$	Collector Power Dissipation @ $T_C=25^\circ\text{C}$	100	W
$T_J$	Junction Temperature	150	$^\circ\text{C}$
$T_{stg}$	Storage Temperature Range	-55~150	$^\circ\text{C}$



## isc Silicon NPN Power Transistor

## KSC5321

## ELECTRICAL CHARACTERISTICS

 $T_C=25^\circ\text{C}$  unless otherwise specified

SYMBOL	PARAMETER	CONDITIONS	MIN	TYP.	MAX	UNIT
$V_{(BR)CBO}$	Collector-Base Breakdown Voltage	$I_C=1\text{mA}; I_E=0$	800			V
$V_{(BR)CEO}$	Collector-Emitter Breakdown Voltage	$I_C=5\text{mA}; I_B=0$	500			V
$V_{(BR)EBO}$	Emitter-Base Breakdown Voltage	$I_E=1\text{mA}; I_C=0$	7			V
$V_{CE(sat)}$	Collector-Emitter Saturation Voltage	$I_C=3\text{A}; I_B=0.6\text{A}$			1.0	V
$V_{BE(sat)}$	Base-Emitter Saturation Voltage	$I_C=3\text{A}; I_B=0.6\text{A}$			1.5	V
$I_{CBO}$	Collector Cutoff Current	$V_{CB}=800\text{V}; I_E=0$			10	$\mu\text{A}$
$I_{EBO}$	Emitter Cutoff Current	$V_{EB}=7\text{V}; I_C=0$			10	$\mu\text{A}$
$h_{FE-1}$	DC Current Gain	$I_C=0.6\text{A}; V_{CE}=5\text{V}$	15		40	
$h_{FE-2}$	DC Current Gain	$I_C=3\text{A}; V_{CE}=5\text{V}$	8			
$C_{OB}$	Output Capacitance	$I_E=0; V_{CB}=10\text{V}; f_{test}=1\text{MHz}$		65		pF
$f_T$	Current-Gain—Bandwidth Product	$I_C=0.6\text{A}; V_{CE}=10\text{V}; f_{test}=1\text{MHz}$		14		MHz

## Switching Times

$t_{on}$	Turn-On Time	$I_C=1\text{A}; I_{B1}=-I_{B2}=0.2\text{A}; V_{CC}=125\text{V}$			0.5	$\mu\text{s}$
$t_s$	Storage Time				6.5	$\mu\text{s}$
$t_f$	Fall Time				0.3	$\mu\text{s}$
$t_{on}$	Turn-On Time	$I_C=4\text{A}; I_{B1}=0.8\text{A}; I_{B2}=-1.6\text{A}; V_{CC}=250\text{V}$			0.5	$\mu\text{s}$
$t_s$	Storage Time				3.0	$\mu\text{s}$
$t_f$	Fall Time				0.3	$\mu\text{s}$