

Features:

- SSL approved
- LED indication
- 99 per loop
- Easy to install
- Rotary wheel for ease of addressing
- Loop powered (When used as relay)
- Simply break tab for non monitored relay operation

Description:

The SSC-CMX2 control module is an addressable output module that can be used either as a relay or a supervised 24VDC output using CLIP protocol (99 detectors and 99 modules per loop).

Breaking the tab on the module changes operation from monitored output to a changeover relay.

Rotary decade switches are used to set the address of each module.

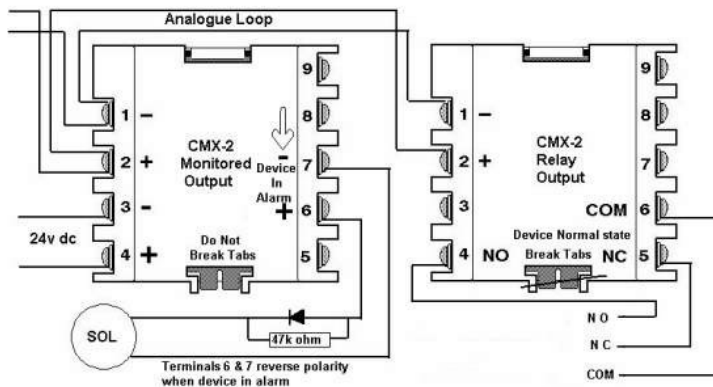
Specifications:

Nominal operating voltage: 15 to 32 VDC
 EOL resistance: 47K ohms (only required when used as a monitored output)
 Temperature range: 0°C to 49°C
 Dimensions: 115mm H x 100mm W x 31mm D
 Mounting Box: (SMB500) 125mm H x 125mm W x 50mm D

Approvals:

SSL Approved, ActivFire Listing: afp 1801

Wiring Diagrams:



Distributors For: