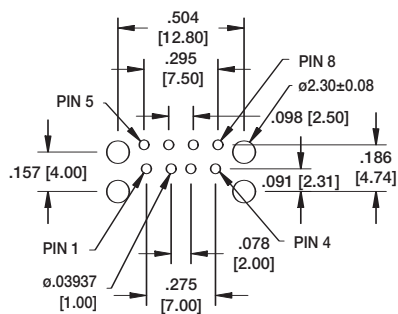
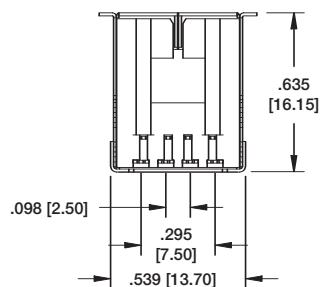
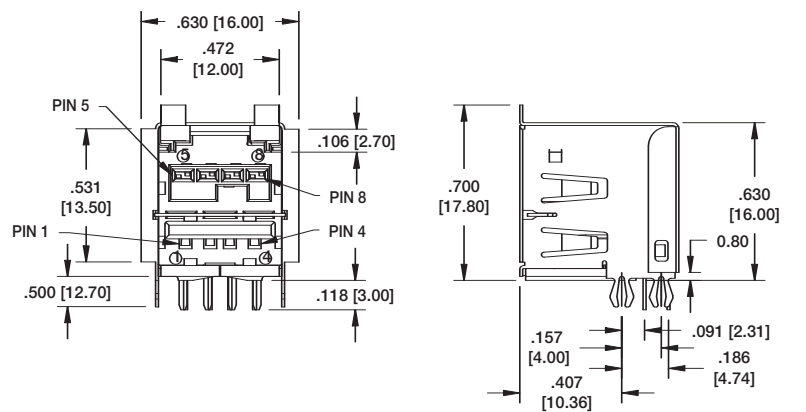
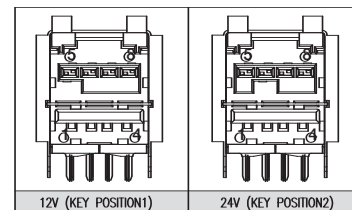


USBP-A-XXV-RA



Recommended PCB Layout

| VOLTAGE | DESCRIPTION | HOUSING COLOR |
|---------|-------------|---------------|
| 12V | POSITION 1 | Green |
| 24V | POSITION 2 | Red |



ORDERING INFORMATION

SIGNAL USB & POWER USB COMBINATION WITH LEDs

USBP

SERIES INDICATOR
USBP = Signal USB & Power USB with LEDs Stacked

A

TYPE
A = Type A

12V

VOLTAGE
12V = 12V DC (Color Green)
24V = 24V DC (Color Red)

RA

MOUNTING ANGLE
RA = Right Angle