

SHIELDED SMD INDUCTOR DR358-2 SERIES

Features

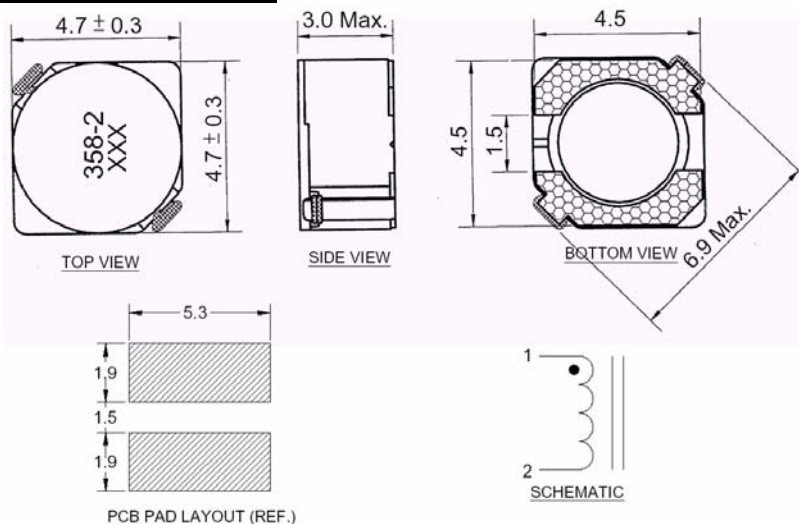
- Low Profile Surface Mount Design
- Flat Top for Pick and Place
- Inductance Range from 1.2 μ H to 220.0 μ H
- Operating Temp. -20°C to +80°C
- Tinned Leads with Leaded Solder is Available (note 7)



ELECTRICAL SPECIFICATIONS AT 25°C

| Part No. | Inductance (μ H) \pm 30% | DCR (Ω) Max. | I rated (A) Max. |
|-------------|------------------------------------|--------------------------|---------------------|
| DR358-2-122 | 1.2 | 0.023 | 2.56 |
| DR358-2-182 | 1.8 | 0.027 | 2.20 |
| DR358-2-222 | 2.2 | 0.031 | 2.04 |
| DR358-2-272 | 2.7 | 0.043 | 1.60 |
| DR358-2-332 | 3.3 | 0.049 | 1.57 |
| DR358-2-392 | 3.9 | 0.064 | 1.44 |
| DR358-2-472 | 4.7 | 0.072 | 1.32 |
| DR358-2-562 | 5.6 | 0.100 | 1.17 |
| DR358-2-682 | 6.8 | 0.108 | 1.12 |
| DR358-2-822 | 8.2 | 0.117 | 1.04 |
| DR358-2-103 | 10.0 | 0.128 | 1.00 |
| DR358-2-123 | 12.0 | 0.131 | 0.84 |
| DR358-2-153 | 15.0 | 0.149 | 0.76 |
| DR358-2-183 | 18.0 | 0.166 | 0.72 |
| DR358-2-223 | 22.0 | 0.235 | 0.70 |
| DR358-2-273 | 27.0 | 0.261 | 0.58 |
| DR358-2-333 | 33.0 | 0.378 | 0.56 |
| DR358-2-393 | 39.0 | 0.383 | 0.50 |
| DR358-2-473 | 47.0 | 0.587 | 0.48 |
| DR358-2-563 | 56.0 | 0.624 | 0.41 |
| DR358-2-683 | 68.0 | 0.699 | 0.35 |
| DR358-2-823 | 82.0 | 0.914 | 0.32 |
| DR358-2-104 | 100.0 | 1.020 | 0.29 |
| DR358-2-124 | 120.0 | 1.270 | 0.27 |
| DR358-2-154 | 150.0 | 1.350 | 0.24 |
| DR358-2-184 | 180.0 | 1.540 | 0.22 |
| DR358-2-224 | 220.0 | 1.650 | 0.18 |

MECHANICAL OUTLINES



Notes:

1. All dimensions are shown in millimeter "mm"
2. General tolerance \pm 0.2mm, unless other specified
3. Inductance Test: 100kHz, 0.1Vrms
4. I_{rated} for an approximate 40°C temperature rise
5. I_{rated} for an approximate 35% drop maximum of the initial value
6. Tape and reel quantity, 2000 pcs/reel
7. For non-RoHS parts replace DR prefix with 42- (e.g. DR358-2 becomes 42-358-2)
8. Terminal finish is compliant to RoHS requirements. Solder in accordance with J-STD-020C.