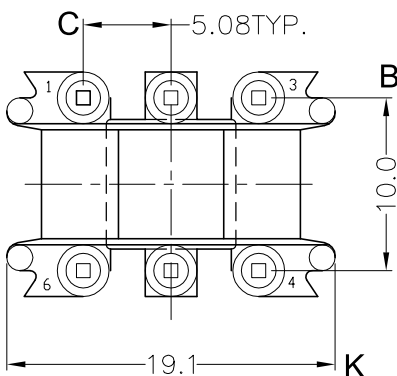
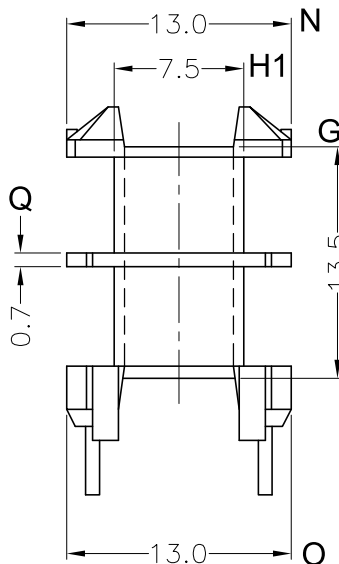
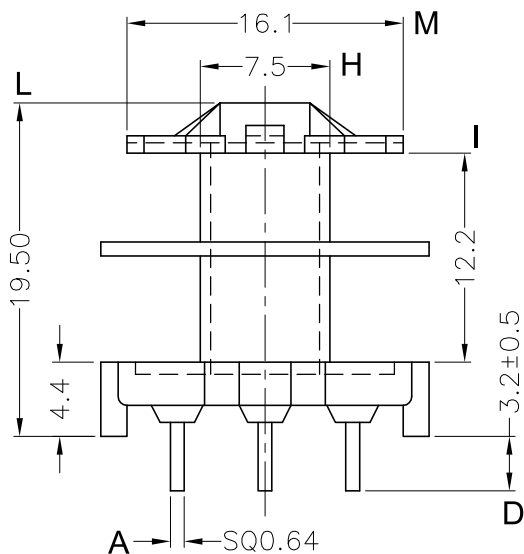
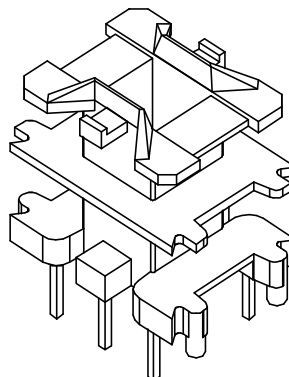
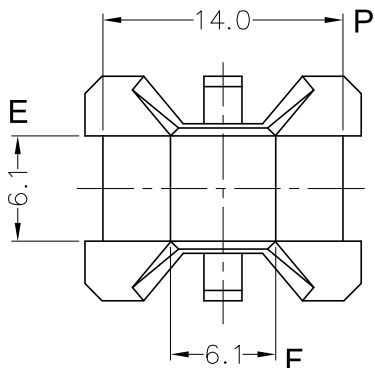


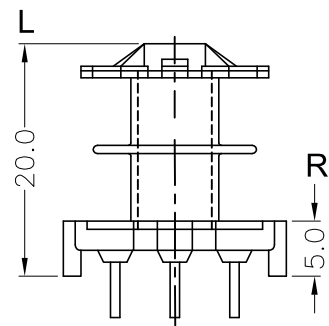
**FERYSTER Inductive Components**

ul. Traugutta 4 , 68-120 Iłowa Poland

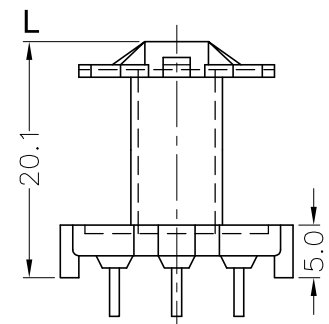
http://www.feryster.com.pl e-mail: info@feryster.com.pl



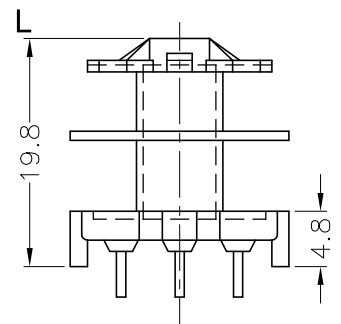
DRAWING NO.	MATERIAL:	ORIGIN:
P-2002-3	PET FR530	SZ



DRAWING NO.	MATERIAL:	ORIGIN:
P-2002-2	PA46 TE250F6	DG



DRAWING NO.	MATERIAL:	ORIGIN:
P-2002-1	PET FR530	DG



**DOSTAWCA:**

TOLERANCES	
0 < L ≤ 4 ±0.1	pin pitch ±0.2
4 < L ≤ 16 ±0.2	
16 < L ≤ 63 ±0.3	

ANGLE:	±1°
UNIT:	MM

TITLE:	<b>EF20/6-K-V-6P-DS</b>	
BOBBIN MATERIAL:	PET FR530	UL REC. UL 94V-0

**FERYSTER Inductive Components**

Tel: +48 68 360 00 36 Fax: +48 68 360 00 70

ORIGIN:	DG	PIN MATERIAL:	CP WIRE	PIN TENSION LOAD:	1.5KG MIN.
DATE:	MAR.18 2003	DRAWING NO.	P-2002	REV.	3