

isc Silicon NPN Power Transistor

KSD363

DESCRIPTION

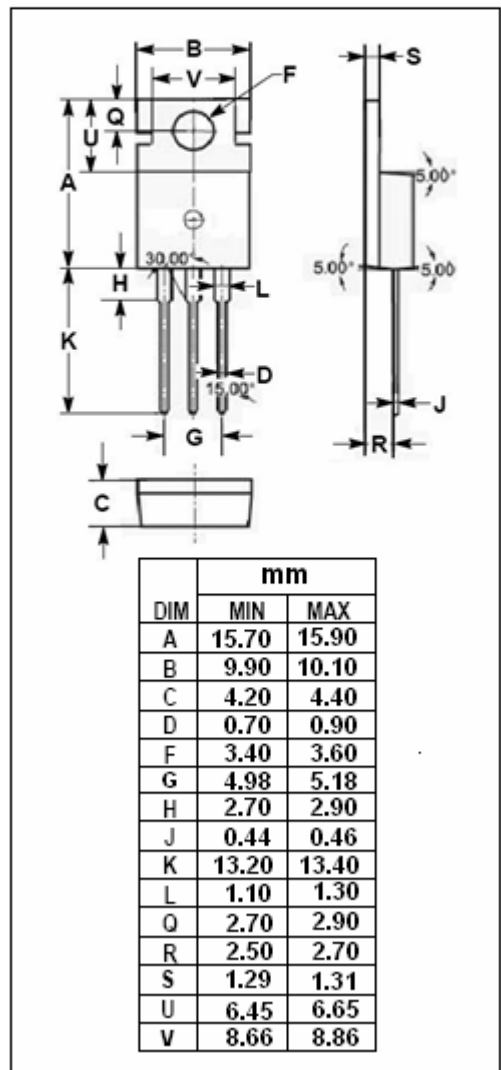
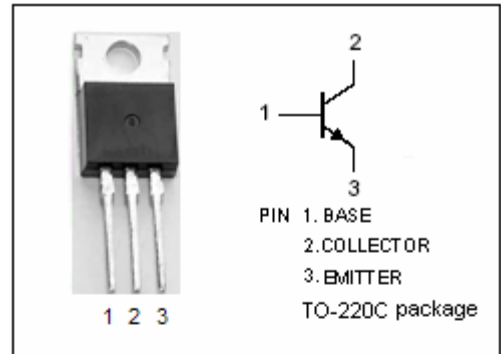
- Collector-Base Breakdown Voltage-  
:  $V_{(BR)CBO} = 300V(\text{Min})$
- Collector Current-  $I_C = 6A$
- Collector Power Dissipation-  
:  $P_C = 40W @ T_C = 25^\circ C$

APPLICATIONS

- Designed for B/W TV horizontal deflection output applications.

ABSOLUTE MAXIMUM RATINGS( $T_a=25^\circ C$ )

SYMBOL	PARAMETER	VALUE	UNIT
$V_{CBO}$	Collector-Base Voltage	300	V
$V_{CEO}$	Collector-Emitter Voltage	120	V
$V_{EBO}$	Emitter-Base Voltage	8	V
$I_C$	Collector Current-Continuous	6	A
$P_C$	Collector Power Dissipation @ $T_C=25^\circ C$	40	W
$T_J$	Junction Temperature	150	$^\circ C$
$T_{stg}$	Storage Temperature Range	-55~150	$^\circ C$



**isc Silicon NPN Power Transistor****KSD363****ELECTRICAL CHARACTERISTICS** $T_C=25^{\circ}\text{C}$  unless otherwise specified

SYMBOL	PARAMETER	CONDITIONS	MIN	TYP.	MAX	UNIT
$V_{(BR)CEO}$	Collector-Emitter Breakdown Voltage	$I_C=2\text{mA}; R_{BE}=\infty$	120			V
$V_{(BR)CBO}$	Collector-Base Breakdown Voltage	$I_C=1\text{mA}; I_E=0$	300			V
$V_{(BR)EBO}$	Emitter-Base Breakdown Voltage	$I_E=1\text{mA}; I_C=0$	8			
$V_{CE(sat)}$	Collector-Emitter Saturation Voltage	$I_C=1\text{A}; I_B=0.1\text{A}$			1.0	V
$V_{BE(sat)}$	Base-Emitter Saturation Voltage	$I_C=1\text{A}; I_B=0.1\text{A}$			1.5	V
$I_{CBO}$	Collector Cutoff Current	$V_{CB}=250\text{V}; I_E=0$			1	mA
$h_{FE}$	DC Current Gain	$I_C=1\text{A}; V_{CE}=5\text{V}$	40		240	
$f_T$	Current-Gain—Bandwidth Product	$I_C=0.5\text{A}; V_{CE}=5\text{V}$		10		MHz

◆  **$h_{FE}$  Classifications**

R	O	Y
40-80	70-140	120-240