

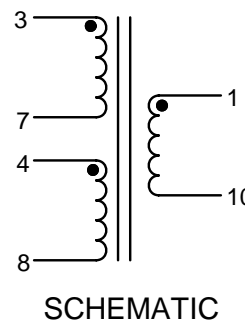
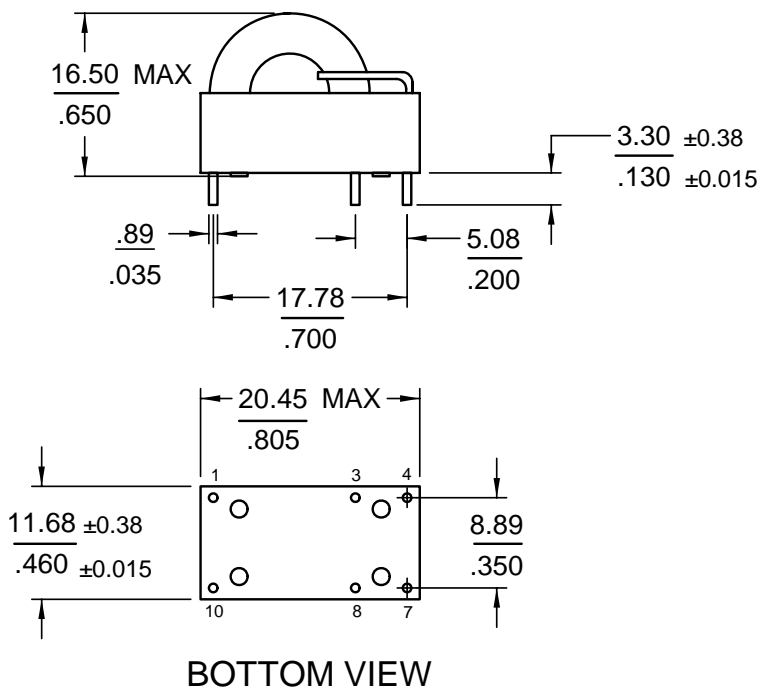
THT Current Sense Transformers



Features

- VDE Approved, VDE Nr. 119374*
- 3000 Vrms Hipot
- Operating Frequency: 50kHz – 500kHz
- Rated Peak Current up to 36A

ELECTRICAL SPECIFICATION						
PART NUMBER	Turns Ratio	Inductance (1-10)	DCR(1-10) (Ω max)	DCR(3-7) (m Ω max)	DCR(4-8) (m Ω max)	Weight Grams (Approx)
PT75373	50 : 1 : 1	5.0 mH min	0.70	3.25	3.25	5.4
PT75374	100 : 1 : 1	20.0 mH min	1.40	3.25	3.25	5.5
PT74805*	200 : 1 : 1	80.0 mH min	2.80	3.25	3.25	6.1



Notes:

- 1.) All dimensions are given in Millimeters/Inches
- 2.) Unless otherwise specified; Tolerance: $\pm 0.25 / 0.015$
- 3.) For non-RoHS parts replace PT prefix with 42- (e.g. PT75373 becomes 42-75373)