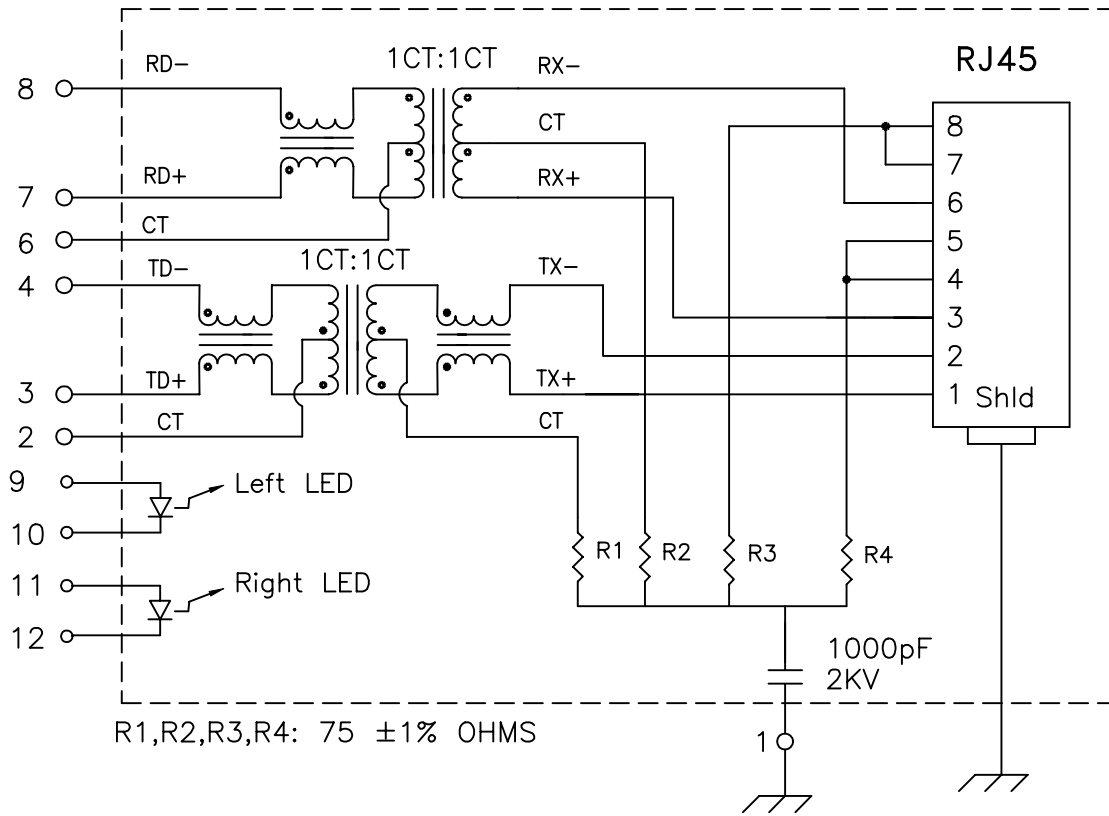


# Schematic:



## Electrical Specifications: @25°C

Isolation Voltage: 1500Vrms(INPUT to OUTPUT), 500Vrms(TD to RD)  
 UTP SIDE OCL: 350uH Min @100KHz 100mV 8mA DC  
 Rise Time (10-90%): 2.5ns Typical  
 Insertion Loss (300KHz-100MHz): -1.1dB Maximum  
 Insertion Loss (100MHz-125MHz): -1.5dB Maximum  
 Return Loss: -18dB Min. @30MHz  
 -12dB Min. @80MHz

### Crosstalk:

100KHz-60MHz -40dB Typical  
 60MHz-100MHz -38dB Typical

### Common Mode to Differential Mode Rejection:

100KHz-60MHz -45dB Typ (Tx) / -40dB Typ (Rx)  
 60MHz-100MHz -40dB Typ (Tx) / -35dB Typ (Rx)

Complete the Combo P/N as follows:

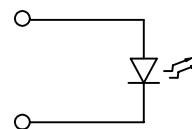
Replace 'x' & 'u' in the part number with one of the LED color letters:

Y=Yellow 'x' = Left LED Color  
 G=Green 'u' = Right LED Color

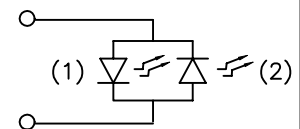
A=Amber  
 R=Red

N=Yellow(1)/Green(2) Bicolor  
 M=Green(1)/Yellow(2) Bicolor

Single Color LED:



Bi-Color LED:



### Note:

- Solderability: Leads shall meet MIL-STD-202, Method 208D for solderability.
- Flammability: UL94V-0,
- ASTM oxygen index: > 28% ,
- Temperature rating: 155°C. UL file E151556,
- Operating Temperature Range: All listed parameters are to be within tolerance from -40°C to +85°C

**XFMRs Inc.**

Title: **SINGLE PORT COMBO**

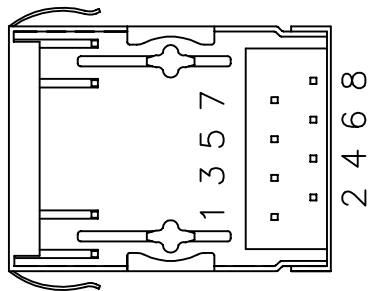
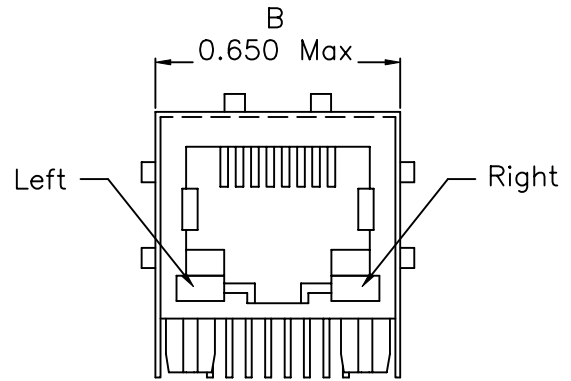
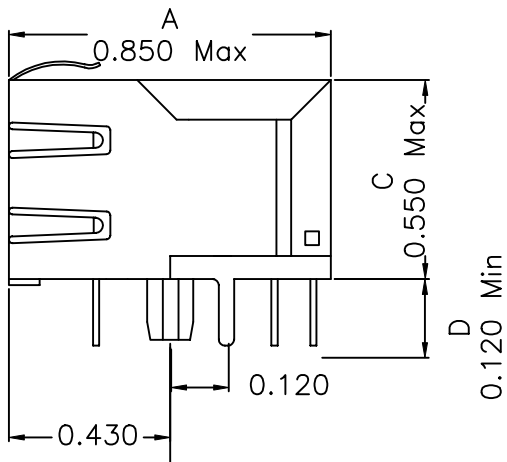
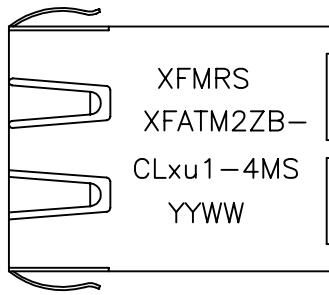
UNLESS OTHERWISE SPECIFIED  
 TOLERANCES:  
 .xxx ±0.010  
 Dimensions in Inch

XFATM2ZB-CLxu1-4MS		REV. A
DWN.	廖玉坤	Jun-18-03
CHK.	李清儿	Jun-18-03
APP.	MS	Jun-18-03

DOC. REV A/1

SHEET 1 OF 1

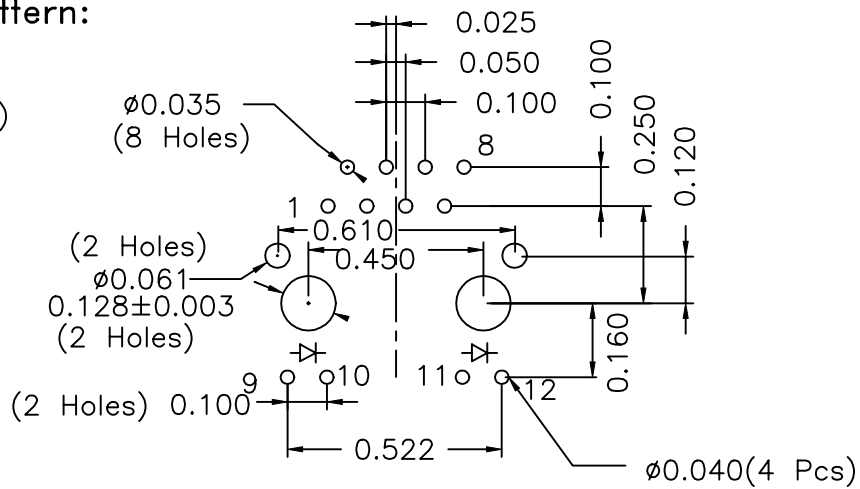
# Mechanical Dimensions:



(BOTTOM VIEW)

# Mounting Pattern:

(COMP SIDE)



DOC. REV: A/1

<b>XFMRS Inc.</b>	Title: Mechanical Dimensions For CLxu1-4MS Series		
	UNLESS OTHERWISE SPECIFIED TOLERANCES: .xxx ±0.010 Dimensions in Inch	P/N: XFATM2ZB-CLxu1-4MS	REV. A
SHEET 2 OF 2	DWN.	李小锋	Jun-18-03
	CHK.	廖玉坤	Jun-18-03
	APP.	MS	Jun-18-03