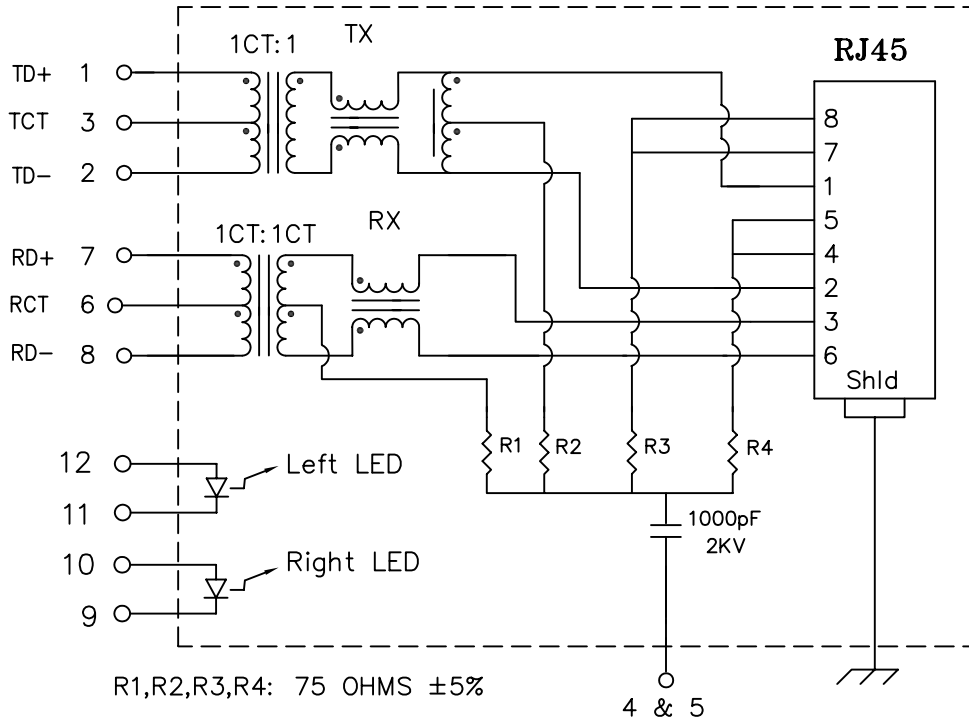


Schematic:



Electrical Specifications: @25°C

Isolation Voltage: 1500 Vrms (INPUT to OUTPUT)

Isolation Voltage: 500 Vrms (8+6+7-2+1+3)

URNS RATIO: TX 1CT:1 \pm 5% RX 1CT:1CT \pm 5%

OCL: 350uH Minimum @100KHz 100mV 8mADC

Insertion Loss (1MHz-100MHz): -1.1dB Max

Return Loss: -18dB Min @1MHz-30MHz

-12dB Min @30MHz-80MHz

CROSSTALK: 1MHz-100MHz -30dB Typical

Notes:

1. Solderability: Leads shall meet MIL-STD-202, Method 208D for solderability.
2. Flammability: UL94V-0
3. ASTM oxygen index: > 28%
4. Temperature rating: 155°C. UL file E151556
5. Operating Temperature Range: All listed parameters are to be within tolerance from -40°C to +85°C

Complete the Combo P/N as follows:

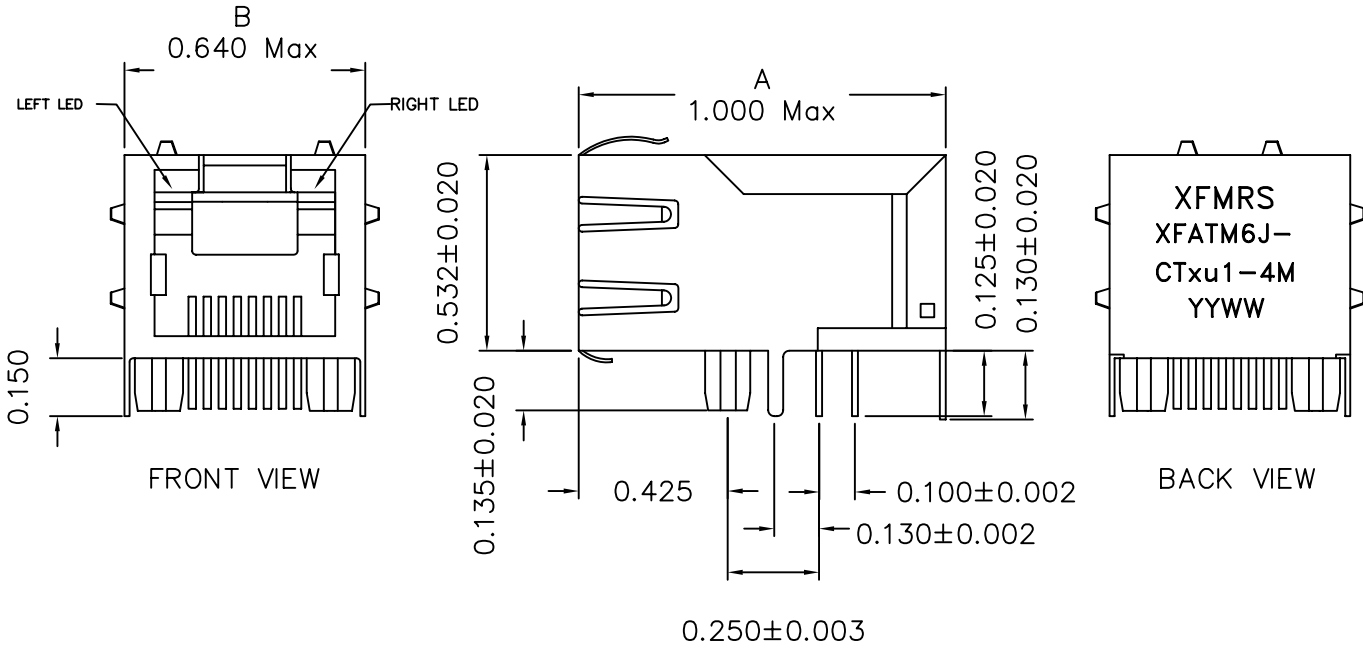
Replace 'x' & 'u' in the part number with one of the five LED color letters:

'x' = Left LED Color	Y=Yellow
'u' = Right LED Color	G=Green
	A=Amber
	R=Red
	YG=Yellow/Green Bicolor

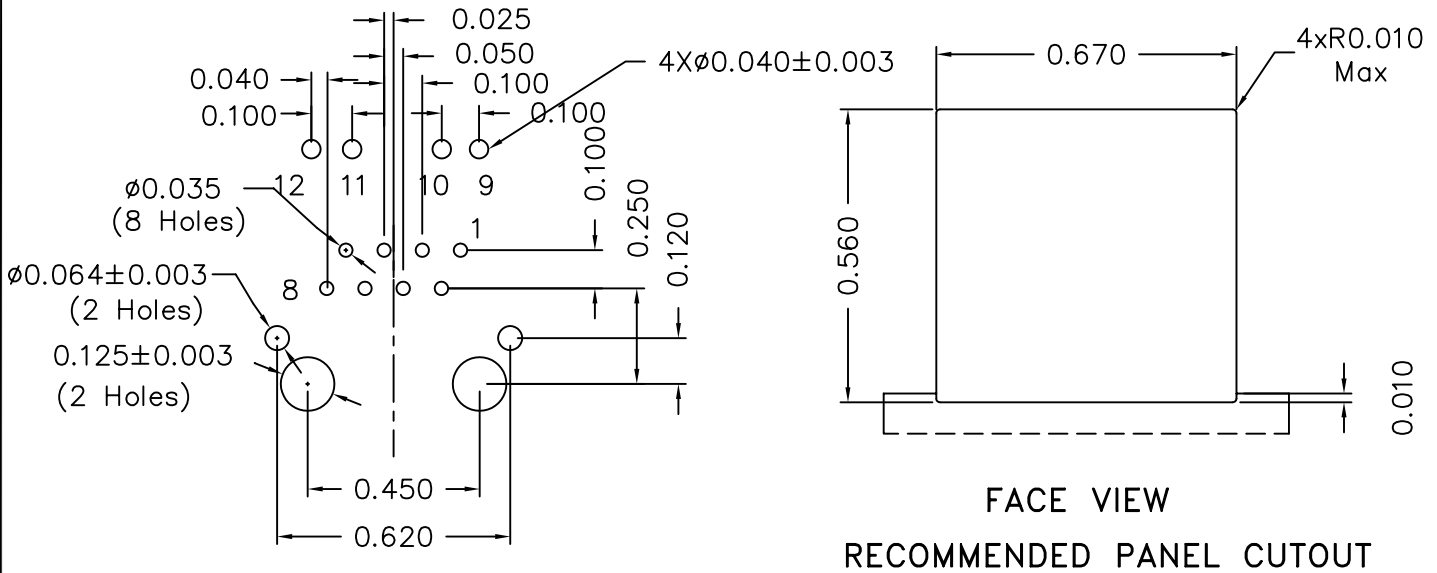
DOC. REV: A/1

XFMRs Inc.	Title: SINGLE PORT TAB UP COMBO	
	UNLESS OTHERWISE SPECIFIED TOLERANCES: .xxx \pm 0.010	P/N: XFATM6J-CTxu1-4M
	Dimensions in Inch	REV. A
	SHEET 1 OF 2	
	DWN.	廖玉坤 Jul-12-02
	CHK.	李清儿 Jul-12-02
	APP.	Isaiah M Jul-12-02

Mechanical Dimensions:



Mounting Pattern:



Complete the Combo P/N as follows:

Replace 'x' & 'u' in the part number with one of the five LED color letters:

'x' = Left LED Color
'u' = Right LED Color

Y=Yellow
G=Green
A=Amber
R=Red
YG=Yellow/Green Bicolor

DOC. REV A/1

XFMRS Inc.		Title: Mechanical Dimensions For TAB UB RJ45 COMBO	
UNLESS OTHERWISE SPECIFIED TOLERANCES: .xxx ±0.010 Dimensions in Inch	P/N: XFATM6J-CTxu1-4M	REV. A	
	DWN.	李小锋	Jul-12-02
	CHK.	廖玉坤	Jul-12-02
SHEET 2 OF 2	APP.	Isaiah M	Jul-12-02