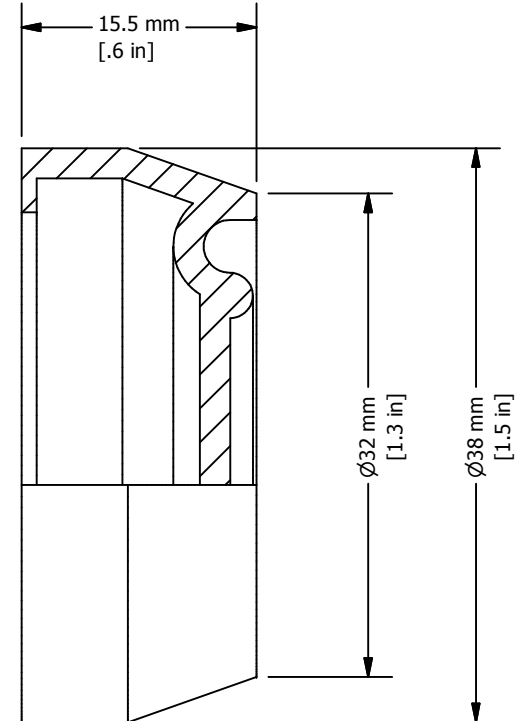


REVISION FOR DWG # 1PB-BTx

REV	CH.NO.	DESCRIPTION	DATE	REVISED BY
-	-	ORIGINAL DESIGN	11/21/2007	PHILIPP E.

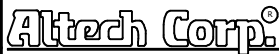
Color	Cat. No.
White	BT1
Black	BT2
Green	BT3
Red	BT4
Blue	BT6
Yellow	BT8



UNLESS OTHERWISE SPECIFIED:
 • ALL DIMENSIONS ARE IN MILLIMETERS
 • THIRD ANGLE PROJECTION



This Drawing is the property of



35 Royal Road
 Flemington, NJ 08822-6000
 (908) 806-9400
 Fax (908) 806-9490

AND IS A CONFIDENTIAL DISCLOSURE
 WITHOUT CONSIDERATION OTHER THAN THE
 BORROWER'S AGREEMENT THAT IT
 SHALL NOT BE REPRODUCED,
 COPIED, LENT OR DISPOSED OF
 DIRECTLY OR INDIRECTLY NOR
 USED FOR ANY PURPOSE OTHER
 THAN THAT FOR WHICH IT IS
 SPECIFICALLY FURNISHED.

TITEL 30 mm Rubber Boots BTx (x=color)

TOLERANCE	=	±1 mm
XX.X	=	±0.5 mm
XX.XX	=	±0.2 mm
ALL	=	- mm

M
E
T
R
I
C

DRAWN BY: Philipp Ernstberger	11/21/2007	DRAWING NO.:	REV.:
CHECKED BY: Laszlo Gyorgypal	11/21/2007	1PB-BTx	-
RELEASED BY: Laszlo Gyorgypal	11/21/2007	SCALE: -	SHEET: 1 OF: 1