

P-tec Corp. Tel:(800)688-0613  
 2405 Commerce Circle Tel:(719) 589 3122  
 Alamosa Co. 81101 Fax:(719) 589 3592  
 www.p-tec.net sales@p-tec.net



## PDT392SM Series Dual Digit 7 Segment SMD Display 0.39"

### Features

- \*Surface Mount Devise .39" (10mm)  
Digit Height, Multiplex Drive
- \*AlInGaP Ultra Bright Red Chips used
- \*Low Current Requirements
- \*Uniform Light Output
- \*IC Compatible
- \*High Reliability
- \*Gray Face, White Segments
- \*Tape & Reel 1k pcs
- \*RoHS Compliant

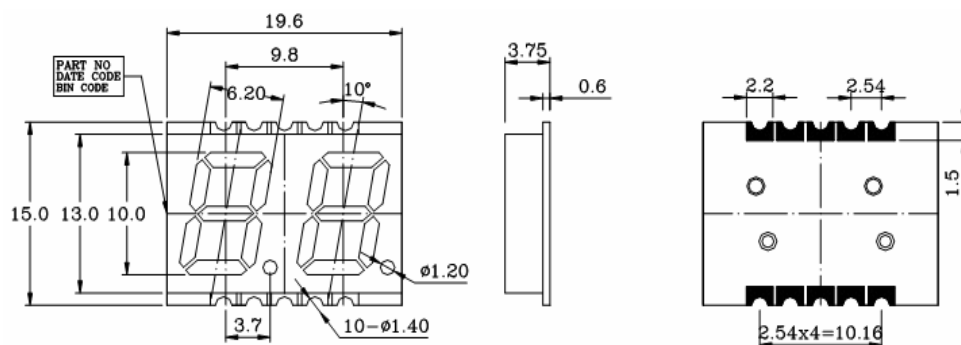
### Absolute Maximum Ratings at T<sub>A</sub> = 25°C

|  |                      |
|--|----------------------|
| Power Dissipation per Segment.....                             | 65mW                 |
| Reverse Voltage (<100 μA).....                                 | 5.0V                 |
| Max Forward Current.....                                       | 25mA                 |
| Peak Forward Current (1/10 Duty Cycle, 0.1ms Pulse Width)..... | 100mA                |
| Operating Temperature Range.....                               | -40°C to +105°C      |
| Storage Temperature Range.....                                 | -40°C to +105°C      |
| Soldering Temperature (1.6mm below body).....                  | 260°C for 10 seconds |

### Electrical & Optical Characteristics at T<sub>A</sub> = 25°C

| Part Number     |                 | Emitting Color | Chip Material | Dominant Wave Length | Peak Wave Length | Forward Voltage @20mA (V) |     | Luminous Intensity @10mA (mcd) |      |
|-----------------|-----------------|----------------|---------------|----------------------|------------------|---------------------------|-----|--------------------------------|------|
|                 |                 |                |               |                      |                  | Typ                       | Max | Min                            | Typ  |
| Common Anode    | Common Cathode  |                |               | nm                   | nm               |                           |     |                                |      |
| PDT392SM-CAMR09 | PDT392SM-CCMR09 | Hyper Red      | AlInGaP       | 624                  | 634              | 2.0                       | 2.6 | 6.0                            | 14.0 |

All Dimensions are in **Millimeters**. Tolerance is ± 0.25mm unless otherwise specified.



| Pin Function         |                        |
|----------------------|------------------------|
| Common Anode Pin #   | Common Cathode Pin #   |
| 1 Cathode G          | 1 Anode G              |
| 2 Cathode DP         | 2 Anode DP             |
| 3 Cathode A          | 3 Anode A              |
| 4 Cathode F          | 4 Anode F              |
| 5 Com Anode Digit 2  | 5 Com Cathode Digit 2  |
| 6 Cathode D          | 6 Anode D              |
| 7 Cathode E          | 7 Anode E              |
| 8 Cathode C          | 8 Anode C              |
| 9 Cathode B          | 9 Anode B              |
| 10 Com Anode Digit 1 | 10 Com Cathode Digit 1 |