

DESCRIPTION

PT6579 is an LCD Driver IC which can drive up to 200 segments. It can be used for frequency display in microprocessor-controlled radio receiver and in other display applications. PT6579 supports both 1/3 duty, and 1/4 duty drive. Pin assignment and application circuit are optimized for easy PCB layout and cost saving advantages.

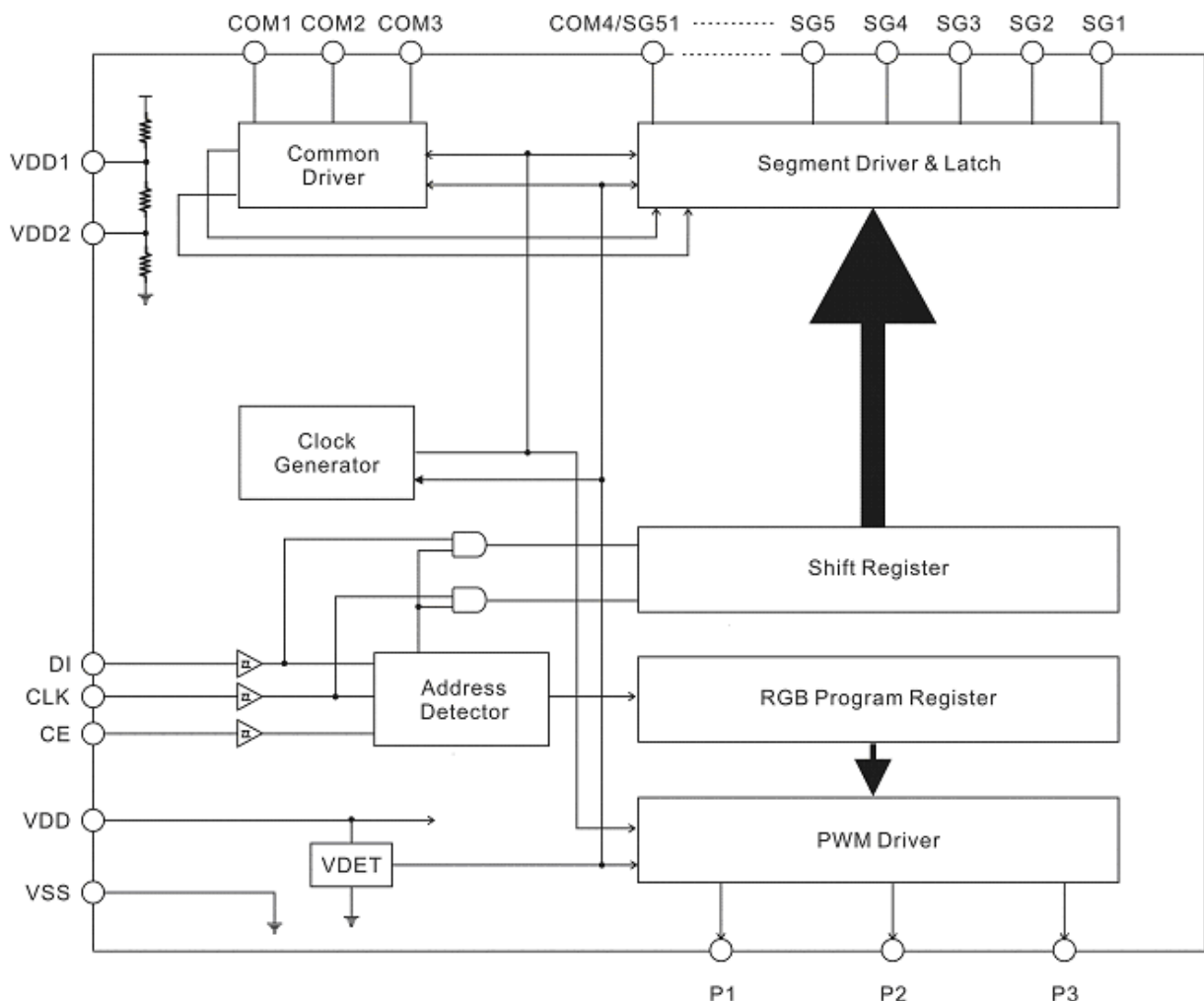
APPLICATION

- Electronic equipment with LCD display

FEATURES

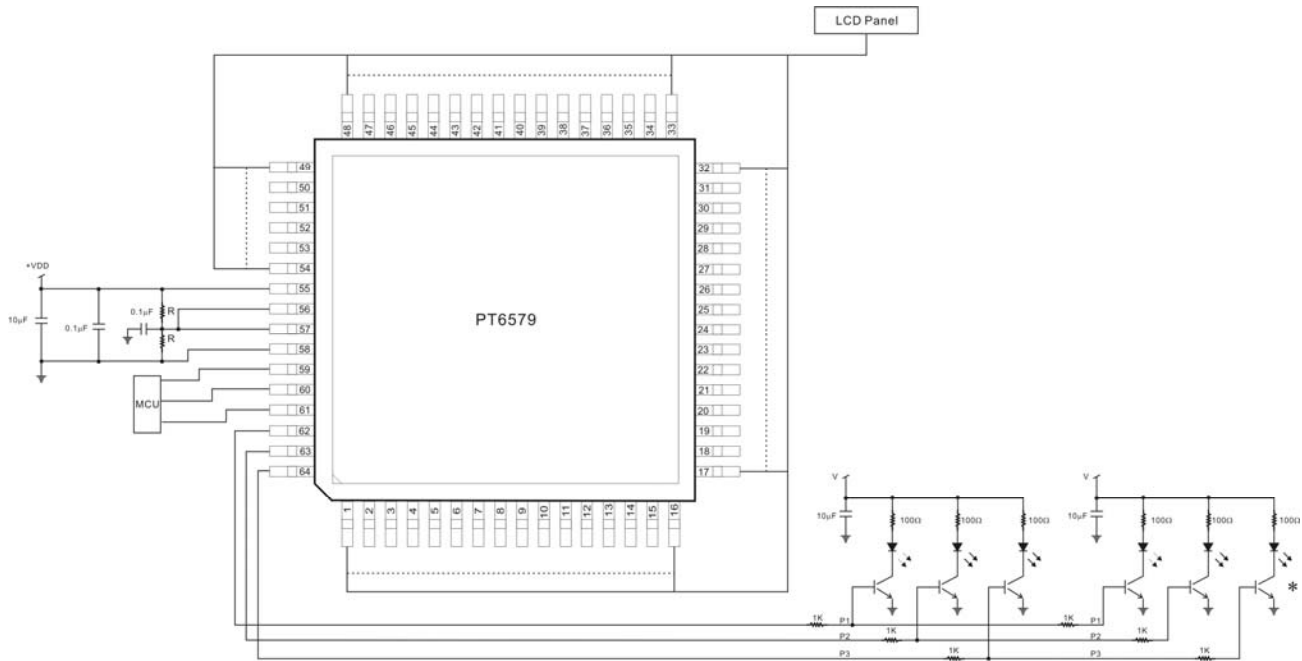
- CMOS technology
- Up to 153 segments for 1/3 duty and 200 segments for 1/4 duty drive can be displayed
- 1/3 Duty - 1/2 Bias and 1/3 Duty - 1/3 Bias drive techniques
- 1/4 Duty - 1/2 Bias and 1/4 Duty - 1/3 Bias drive techniques
- Power saving mode and all segments OFF function
- Direct display of display data without using a decoder
- RC oscillation circuit
- Power supply voltage: 4.5V to 6V
- CMOS/TTL compatible logic input pins
- LCD drive bias voltage can be provided internally or externally
- On-Chip voltage detection type reset circuit
- Programmable PWM signal output pins
- Available in 64 pins LQFP

BLOCK DIAGRAM



APPLICATION CIRCUIT 1

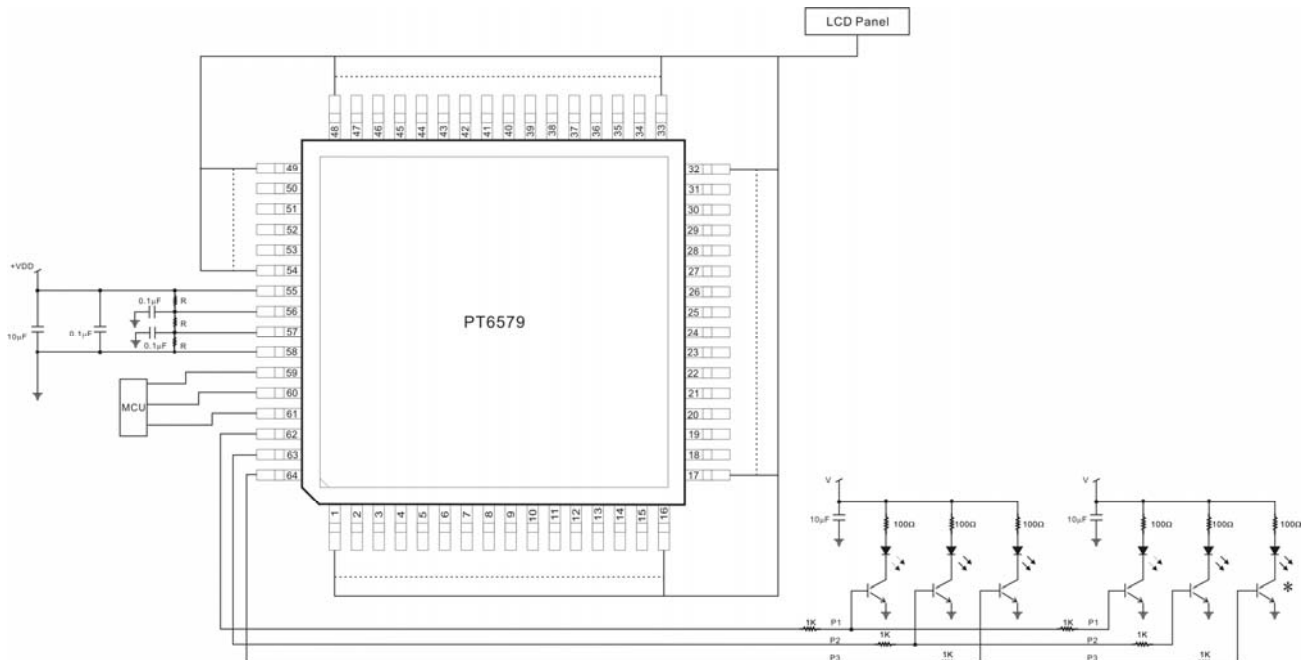
1/2 BIAS (FOR NORMAL PANEL)



Notes:

1. $10K\Omega \geq R \geq 1K\Omega$
2. *=Please select the suitable transistor

1/3 BIAS (FOR NORMAL PANELS)

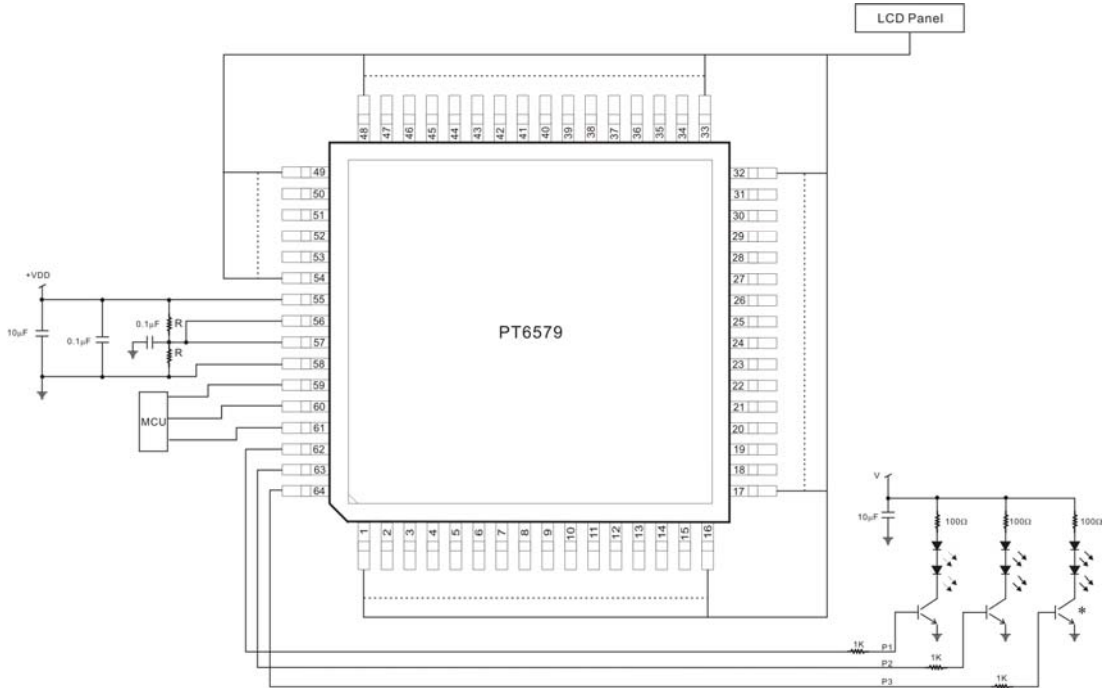


Notes:

1. $10K\Omega \geq R \geq 1K\Omega$
2. *=Please select the suitable transistor

APPLICATION CIRCUIT 2

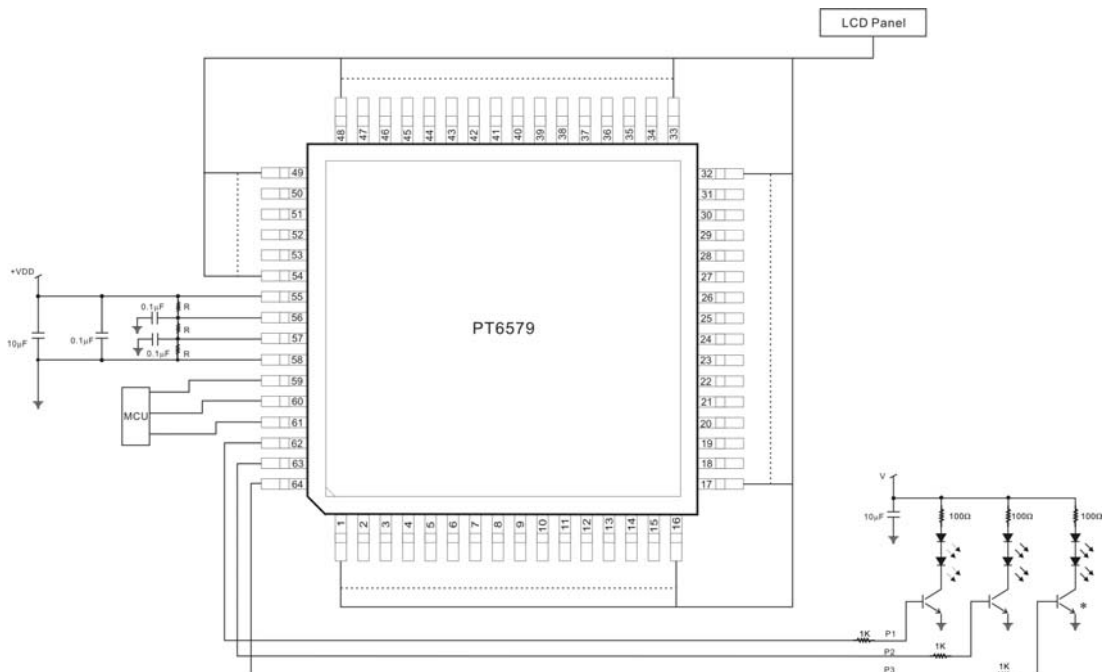
1/2 BIAS (FOR NORMAL PANEL)



Notes:

1. $10K\Omega \geq R \geq 1K\Omega$
2. *=Please select the suitable transistor

1/3 BIAS (FOR NORMAL PANELS)



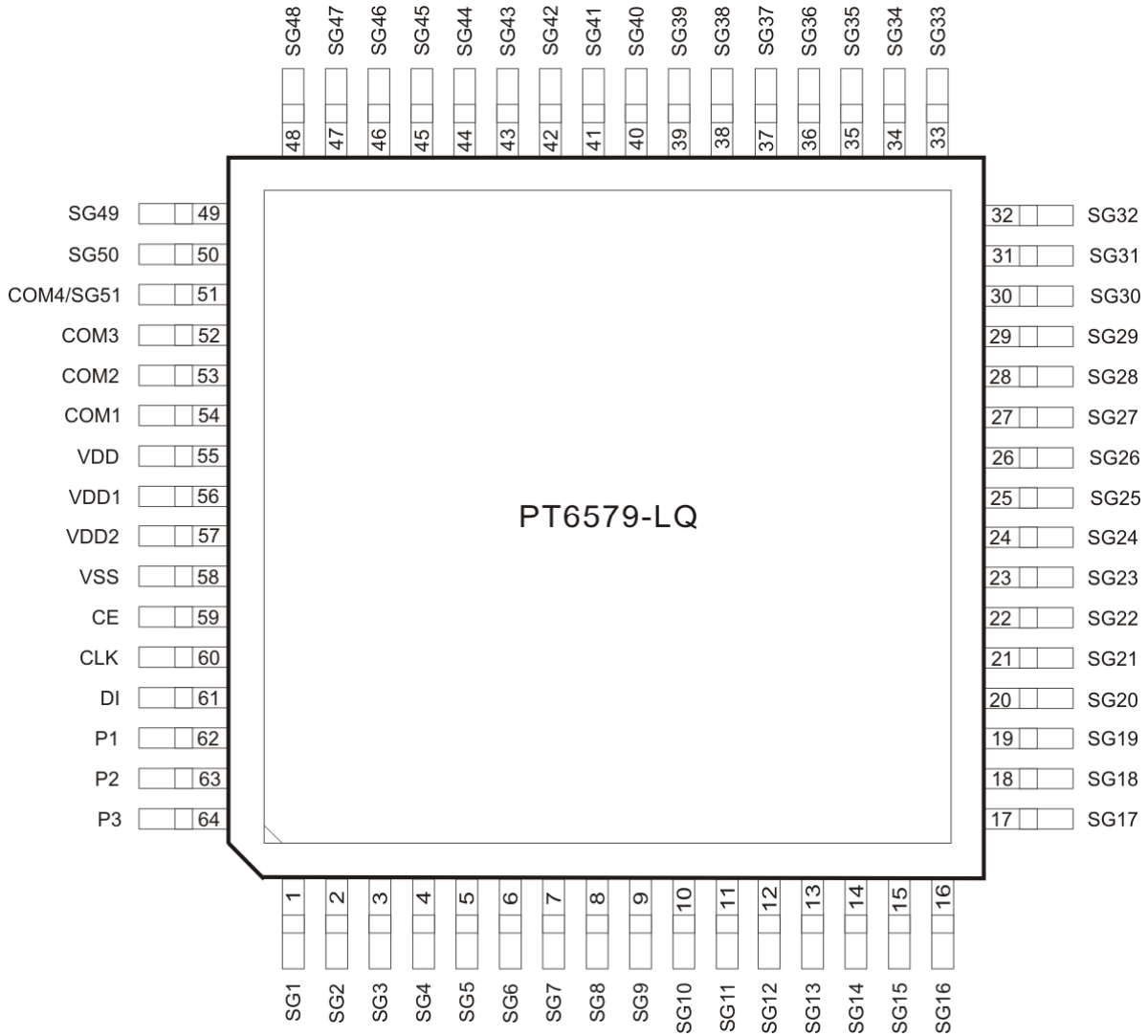
Notes:

1. $10K\Omega \geq R \geq 1K\Omega$
2. *=Please select the suitable transistor

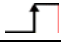
ORDER INFORMATION

Valid Part Number	Package Type	Top Code
PT6579-LQ	64 Pins, LQFP	PT6579-LQ

PIN CONFIGURATION



PIN DESCRIPTION

Pin Name	I/O	Active	Description	Pin No.
SG1 to SG50	O	-	Segment output pins	1 to 50
COM4/SG51 COM3 to COM1	O	-	Common driver output pins The COM4/ SG51 pin can be used as a segment output in 1/3 duty	51 to 54
VDD	-	-	Power supply Supply voltage in the range 4.5 to 6.0V	55
VDD1	I	-	Used for the 2/3 Bias Voltage when the Bias Voltage is provided externally. Connect to VDD2 when 1/2 bias is used	56
VDD2	I	-	Used for the 1/3 Bias Voltage when the Bias Voltage is provided externally. Connect to VDD1 when 1/2 Bias is used	57
VSS	-	-	Ground	58
CE	I	H	Chip enable pin	59
CLK	I		Synchronization clock pin	60
DI	I	-	Transfer data input pin	61
P1 to P3	O	H	PWM output pins	62 to 64

IMPORTANT NOTICE

Princeton Technology Corporation (PTC) reserves the right to make corrections, modifications, enhancements, improvements, and other changes to its products and to discontinue any product without notice at any time.

PTC cannot assume responsibility for use of any circuitry other than circuitry entirely embodied in a PTC product. No circuit patent licenses are implied.

Princeton Technology Corp.
2F, 233-1, Baociao Road,
Sindian, Taipei 23145, Taiwan
Tel: 886-2-66296288
Fax: 886-2-29174598
<http://www.princeton.com.tw>