

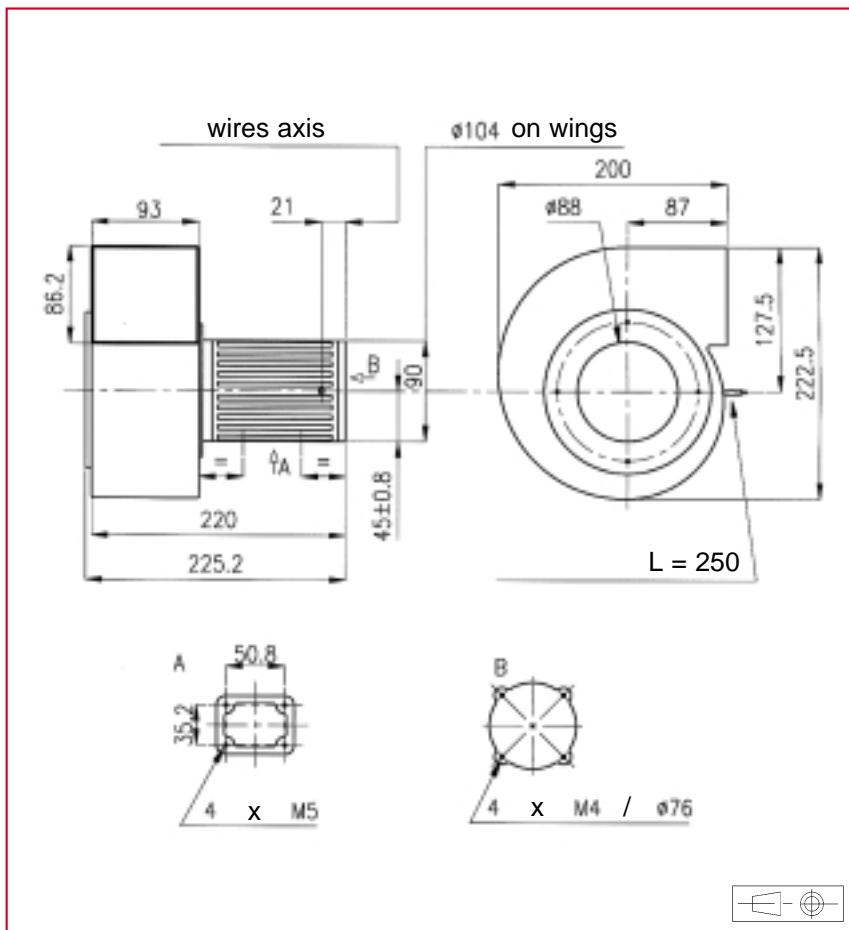
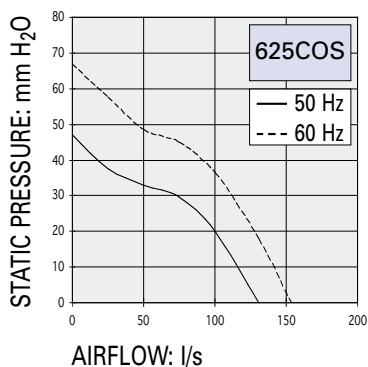


Approvals

GAM T1 LISTED

Life expectancy

L-10 LIFE AT 40°C:
25 000 hours



AC Motor

Housing material: steel plate
Wheel material: steel plate
Weight: 4,9 kg
Bearing system: ball bearings

Connection: flying leads

Available with:

- safety switch

Part number	Nominal voltage	Airflow	Noise level	Nominal speed	Frequency	Phases	Capacitor (not included)	Input power	Nominal current	Starting current	Operating temperature	
	V	l/s	dB(A)	RPM	Hz		µF	W	mA	mA	Min. °C	Max. °C
625COS016DC13	220	130	65	2850	50	3		156	560	2100	- 10	70
	380	130	65	2850	50	3		155	520	2500	- 10	70
	220	155	68	3300	60	3		223	610	2000	- 10	70
	380	155	68	3300	60	3		210	460	2150	- 10	70
	220	130	65	2850	50	1	6,9	156	1000	3600	- 10	70
	380	130	65	2850	50	1	2,2	155	900	4250	- 10	70
	220	155	68	3300	60	1	6,9	223	1100	3450	- 10	70
	380	155	68	3300	60	1	2,2	210	800	3700	- 10	70

Additional versions:

Salt spray protected - shock and vibration protected - marine specifications - wide temperature range

Accessories:

See pages: 157, 160 and 163