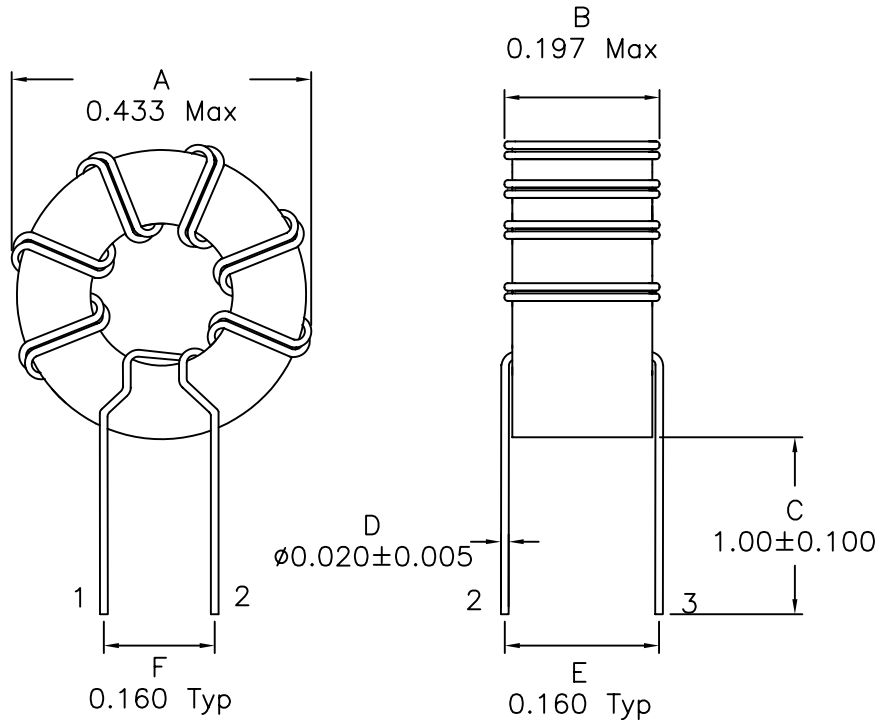


### 1. Mechanical Dimensions:

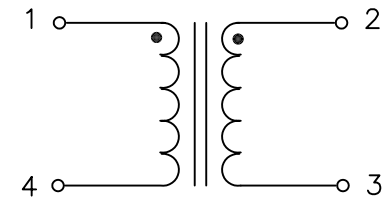


**Notes:**

1. Solderability: Leads shall meet MIL-STD-202G, Method 208H for solderability.
2. Flammability: UL94V-0
3. ASTM oxygen index: > 28%
4. Insulation System: Class F 155°C. UL file E151556
5. Operating Temperature Range: All listed parameters are to be within tolerance from -40°C to +85°C
6. Storage Temperature Range: -55°C to +125°C
7. Aqueous wash compatible
8. Electrical and mechanical specifications 100% tested
9. RoHS Compliant Component
10. Strip and tin lead to mounting plane.

DOC. REV A/3

### 2. Schematic:



### 3. Electrical Specification:

OCL: 6.0uH Min @1KHz  
 Impedance: 500 Ohms Typ @200MHz  
 DCR: 0.020 Ohms Max  
 Rated Current: 5.5A Max  
 Rated Voltage: 50V  
 Insulation resistance: 100 MOhms Min

<b>XFMRs Inc</b> www.XFMRs.com	Title: Common mode choke		
	UNLESS OTHERWISE SPECIFIED TOLERANCES: .xx ±0.01 Dimensions in Inch	P/N: XF0066-VOCMC	REV. A
SHEET 1 OF 1	DWN.	XianYI	Apr-09-09
	CHK.	YK Liao	Apr-09-09
	APP.	BW	Apr-09-09