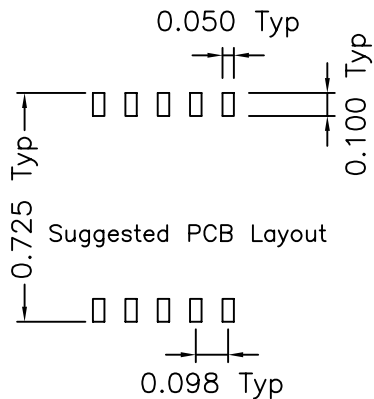
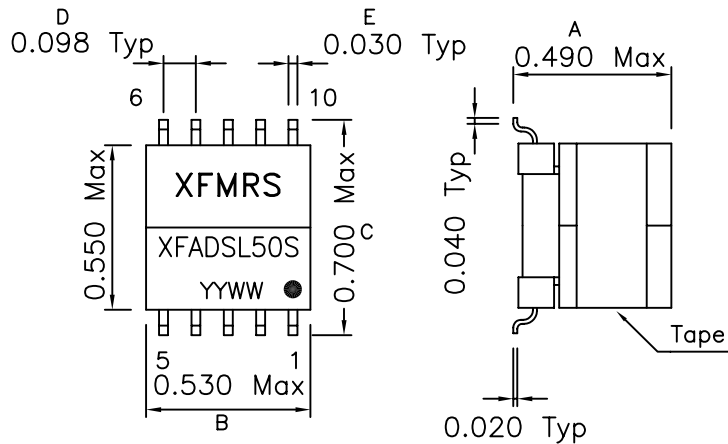


1. Mechanical Dimensions:

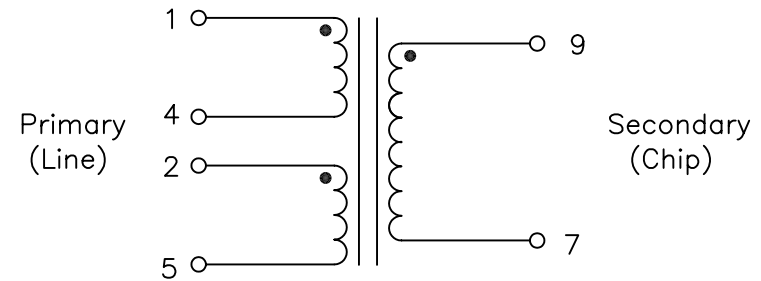


Notes:

1. Solderability: Leads shall meet MIL-STD-202, Method 208D for solderability.
2. Flammability: UL94V-0
3. ASTM oxygen index: > 28%
4. Insulation System: Class F 155°C. UL file E151556
5. Operating Temperature Range: All listed parameters are to be within tolerance from -40°C to +85°C
6. Storage Temperature Range: -55°C to +125°C
7. Aqueous wash compatible

DOC. REV: A/1

2. Schematic:



3. Electrical Specifications:

- OCL: (Pins 1-5) 2.75mH±5% @10KHz, 0.1V, 0/100mAdc
 Leakage L: (Pins 1-5) 15uH Max @100KHz, 0.1V
 Short Pins 9-7, Tie 4-2
 Cww: (Pins1-9) 70pF Max @100KHz, 0.1V Tie 4-2
 Turns Ratio: (1-5):(9-7) 1.8CS:1±1%
 DC Res: (Pins 1-4) 1.450 Ohms Max
 DC Res: (Pins 2-5) 1.450 Ohms Max
 DC Res.: (Pins 9-7) 1.400 Ohms Max
 HYPOT: 2000VAC Chip-Line, Wdgs-Core
 Insertion Loss: 1.6dB Max @50KHz
 Long Bal: 50dB Min @10KHz - 400KHz
 Long Bal.: 40dB Min @30KHz to 1.1MHz
 THD: -80dB Max @10KHz, 1.6Vrms,
 41.7 Ohm Load, 135 ohm input Tie 4-2

UL1950 approved for the requirements of
 Supplementary Insulation with 250 working volts.

UL file #E165866

Designed to comply with GR-1089-core second level lightning source

XFMRS Inc	Title: ADSL Transformer		
	UNLESS OTHERWISE SPECIFIED	P/N: XFADSL50S	REV. A
TOLERANCES: .xxx ±0.010	DWN.	廖玉坤	Jul-22-02
Dimensions in INCH	CHK.	李清儿	Jul-22-02
SHEET 1 OF 1	APP.	BW	Jul-22-02