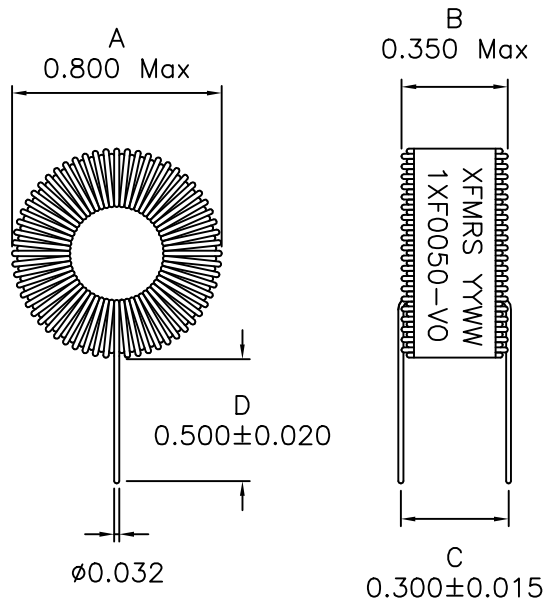
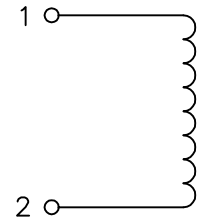


1. Mechanical Dimensions:



2. Schematic:



3. Electrical Specifications:

Inductance: 70uH ±10% @1.0KHz,1.0V
 Inductance: 40uH Min @1.0KHz,1.0V 3.0ADC
 DC Resistance: 0.035 Ohms Max.

Note:

1. Solderability: Leads shall meet MIL-STD-202, Method 208D for solderability.
2. Flammability: UL94V-0,
3. ASTM oxygen index: > 28% ,
4. Temperature rating: 155°C. UL file E151556,
5. Operating Temperature Range: -40°C to +85°C

6. Tinned length is the same as the lead length.

DOC. REV. B/4

XFMRs Inc.	Title: COIL		
	UNLESS OTHERWISE SPECIFIED		P/N: 1XF0050-VO
	TOLERANCES:		REV. B
	.xxx ±0.010		DWN. 廖玉坤 Sep-12-01
Dimensions in Inch		CHK. 李清儿 Sep-12-01	
SHEET 1 OF 1		APP. BW	Sep-12-01