

Model(型號): **ROTARY POTENTIOMETER-----R12511H01**

► Download PDF file

**Features:(特點):**

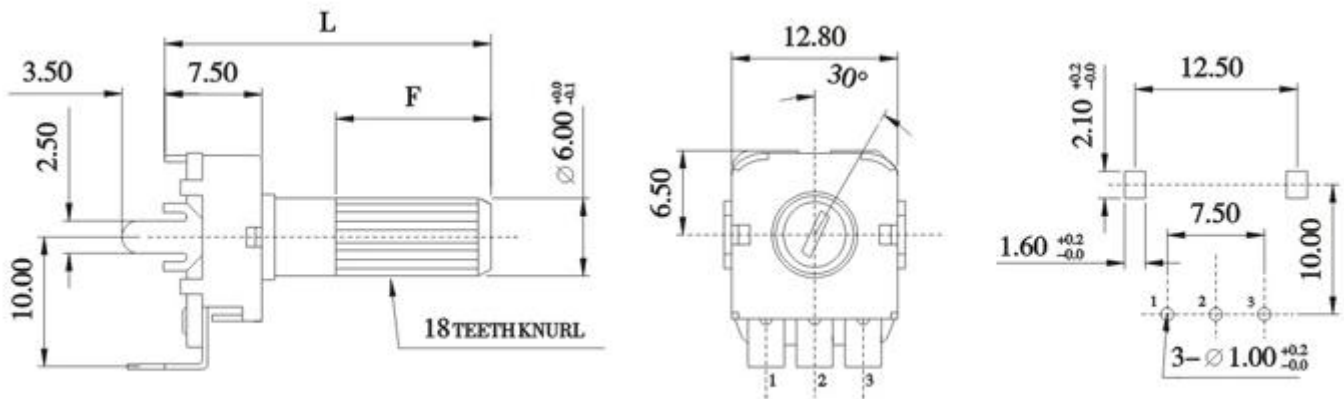
Ideal for all type of audio products.

**Applications(作用):**

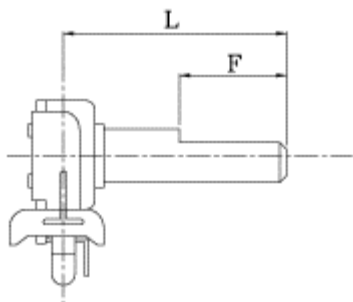
Ideal for radio, cassette recorder with radio, amplifier,receiver,etc.



**Dimensions(規格圖):**

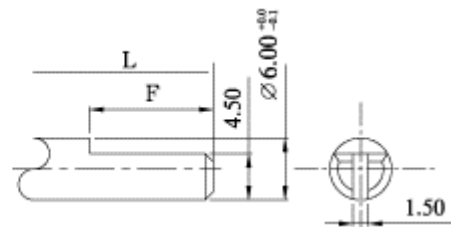


**TYPE OF KNOB**



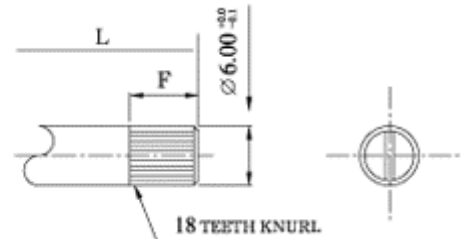
**F Type**

L	10	15	15	20	25	30
F	5	7	8	12	12	12



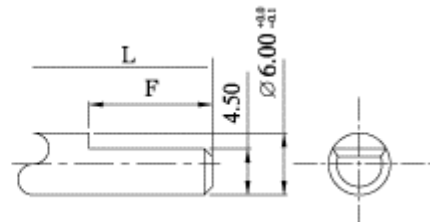
**K Type**

L	10	15	15	20	25	30
F	5	7	8	12	12	12



**T Type**

L	10	15	15	20	25	30
F	5	7	8	12	12	12



**Specifications(規格)**

**Electrical Characteristics [ 電氣性能 ]**

Total resistance [ 全阻抗值 ]	500Ω - 1MΩ
Total resistance tolerance [ 全阻抗值容許差 ]	±20%
Ratings power(w) [ 額定功率 ]	B curve 0.15W , except B 0.08W
Resistance taper [ 阻抗變化特性 ]	A,B, *C,D,W
Residual resistance [ 殘留阻值 ]	20KΩMax.

Sliding noise [滑動雜音]	47mV Max
Withstanding voltage [耐電壓]	1 minute at AC 500V
Gang error [連動誤差]	-
Insulation resistance [絕緣阻抗]	100MΩ Min. at DC 500V.
Max. operating voltage [最高使用電壓]	B curve AC 150V,DC 10V ; except B AC 100V,DC 10V
<b>Mechanical Characteristics [ 機械性能 ]</b>	
Operation torque [ 回轉力矩 ]	50~250gf . cm
Rotation stopper strength [ 止動強度 ]	3.0Kgf . cm Min.
Total rotational angle [回轉角度]	300±5°
Center decent force [掣子脫出力矩]	50~300gf.cm
<b>Endurance Characteristics [ 耐久性能 ]</b>	
Rotational life [ 回轉壽命 ]	More than10,000 cycles

[Http://www.productwell.com](http://www.productwell.com) E-Mail: [pwlhk@productwell.com](mailto:pwlhk@productwell.com)

Tel: ( 852)2687 3208 Fax: ( 852)2687 3336