

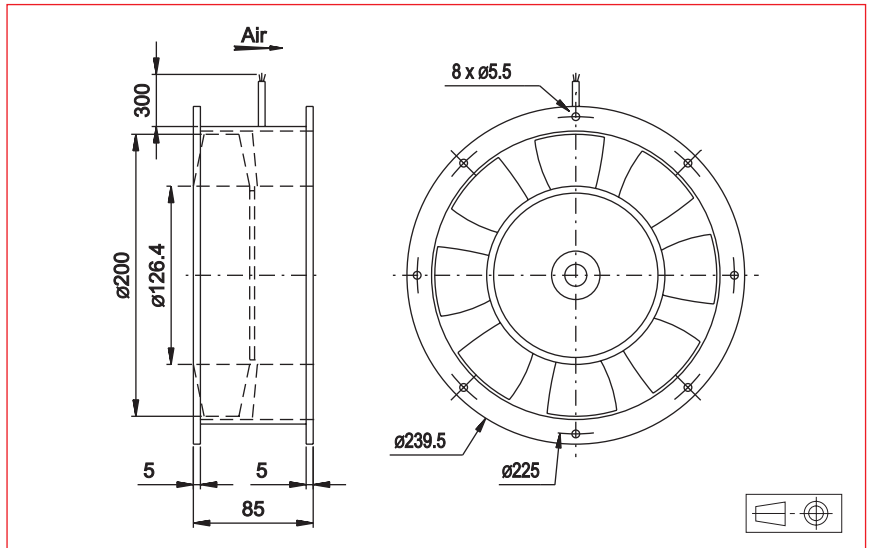


Approvals

CE, NATO codification

Life expectancy

L-10 LIFE AT 40°C:
25 000 hours

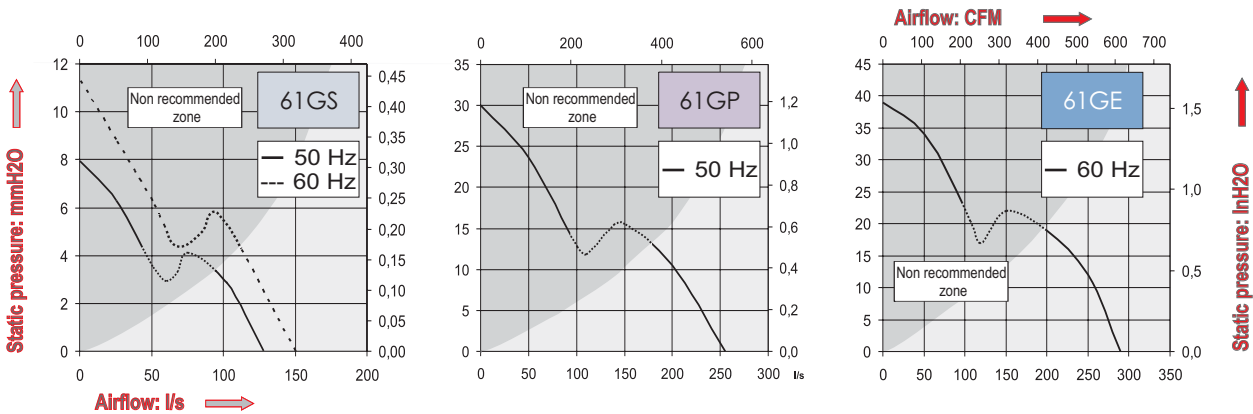


AC Motor

Housing material: aluminium
Impeller material: plastic
Weight: 3,85 kg (61GS)
4,25 kg (61GP, 61GE)
Bearing system: ball bearings

Available with:

- Safety switch
- Terminal block
- Aluminium impeller (62G series)



Part Number	Nominal voltage	Airflow	Noise level	Nominal speed	Frequency	Phases	Capacitor (not included)	Input power	Nominal Current	Starting Current	Connection type		Operating temperature	
	V	l/s	dB(A)	RPM	Hz		µF	W	mA	mA	Leads	Terminals	Min.°C	Max.°C
61GS016DC13	220	126	49	1450	50	3		18	135	440	X		-10	70
	380	126	49	1450	50	3		18	80	255	X		-10	70
	220	148	52	1700	60	3		20	115	385	X		-10	70
	380	148	52	1700	60	3		20	70	210	X		-10	70
	220	126	49	1450	50	1	1,47	18	130	360	X		-10	70
	380	126	49	1450	50	1	0,47	18	75	225	X		-10	70
61GP016DC13	220	148	52	1700	60	1	1,47	21	110	310	X		-10	70
	380	148	52	1700	60	1	0,47	21	65	180	X		-10	70
	220	255	65	2800	50	3		64	265	1300	X		-10	70
	380	255	65	2800	50	3		64	155	750	X		-10	70
	220	255	65	2800	50	1	4,7	68	325	1100	X		-10	70
	380	255	65	2800	50	1	1,47	68	190	640	X		-10	70
61GE016DC13	220	297	68	3350	60	3		99	400	1700	X		-10	70
	380	297	68	3350	60	3		99	230	1000	X		-10	70
	220	297	68	3350	60	1	4,7	102	500	1400	X		-10	70
	380	297	68	3350	60	1	1,47	102	290	800	X		-10	70

Additional versions:

Salt spray protected - Shock and vibration protected - Marine specifications
Wide temperature range - Other voltages (consult factory)

Accessories:

Refer to Accessories leaflet