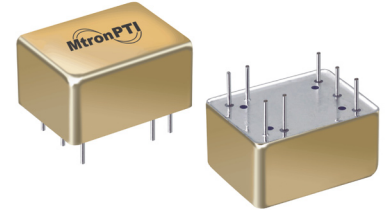


Product Features

- Most precise single, OCXO in the industry
- Stability to ± 2 ppb (commercial temperature) and ± 3 ppb (industrial temperature)
- Excellent phase noise performance (-155 dBc at 10kHz offset)
- Custom capabilities for specific application optimization
- RoHS 5/6 now - RoHS 6/6 in development



Product Description

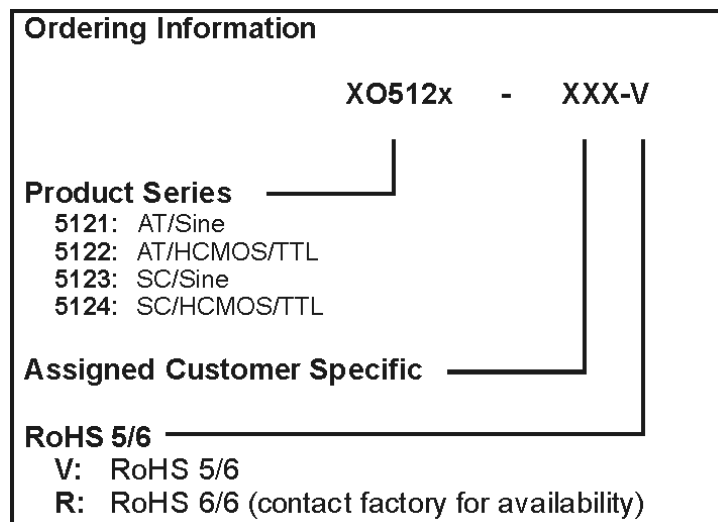
The XO5120 series is an industry standard 1" x 1.4" single OCXO which offers the best in phase noise combined with stability over a wide range of operating temperatures. With output logic (HCMOS/TTL) or sinewave, this product fits most applications. The XO5120 series is based on a standard design platform that can then be tailored to the customer's specific requirements with little extra effort. Standard frequencies of 10.00, 12.80, 13.00, 16.384, and 20.00MHz are available as standard designs. Other frequencies between 10 and 100MHz can be developed in a short time.

Product Applications

The basis for all reference timing sources. With stability to ± 2 ppb, this device even replaces Double OCXOs (DOCXO) in some applications. It can be used in:

- Microwave radios
- Base stations
- Test and Measurement equipment
- Reference timing circuits

Product Ordering Information



Performance Characteristics

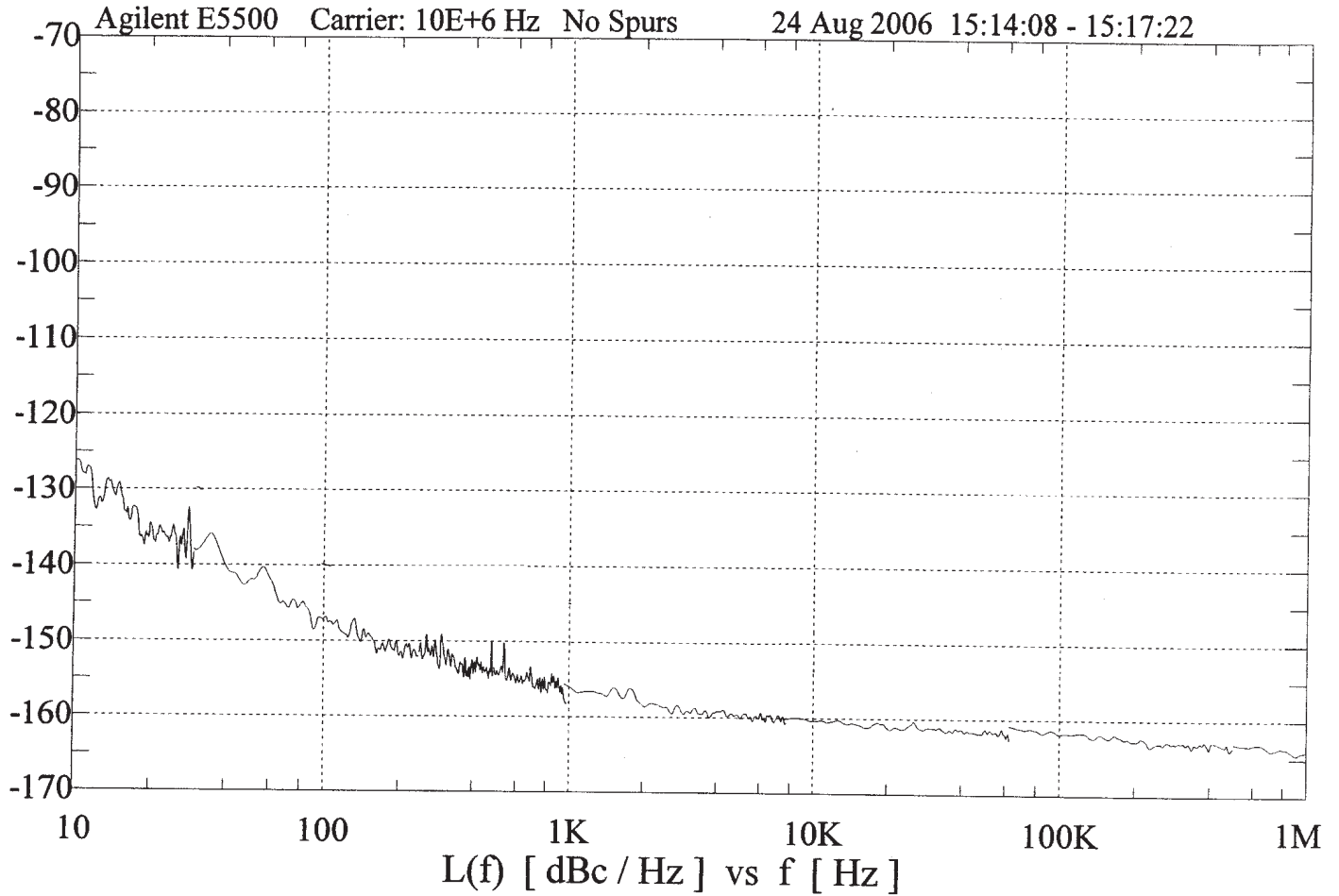
Optional Temperature Ranges and Frequency Stabilities (F/T)		
OTR °C	SC-Cut	AT-Cut
0 to +50	$\pm 2 \times 10^{-9}$	$\pm 2 \times 10^{-8}$
0 to +70	$\pm 2 \times 10^{-9}$	$\pm 2 \times 10^{-8}$
-10 to +70	$\pm 3 \times 10^{-9}$	$\pm 2 \times 10^{-8}$
-30 to +70	$\pm 3 \times 10^{-9}$	$\pm 3 \times 10^{-8}$
-40 to +70	$\pm 3 \times 10^{-9}$	$\pm 3 \times 10^{-8}$
-40 to +85	$\pm 3 \times 10^{-9}$	$\pm 4 \times 10^{-8}$

PARAMETER	Symbol	Minimum	Typical	Maximum	Units	Condition	
Frequency Range	F_{ON}	10		100	MHz		
Operating Temperature	T_A	-40 to +85			°C	Consult Factory	
Stability Over Temperature	$\Delta F/F$	± 20	± 30		ppb	AT-Cut	
	$\Delta F/F$	± 5	± 10		ppb	SC-Cut	
Short Term Stability			0.1		ppb	AT-Cut	
			0.01		ppb	SC-Cut	
Daily Aging			± 1.0		ppb	AT-Cut	
Yearly Aging			± 0.5		ppm	AT-Cut	
Daily Aging			± 0.1		ppb	SC-Cut	
Yearly Aging			± 0.3		ppm	SC-Cut	
Frequency vs. Supply			± 1		ppb		
Frequency vs. Load			± 1		ppb		
Supply Voltage	V_S	3.3 to 12			Volts	Consult Factory	
Power Consumption				3.5	Watts		
	@ Warm-Up Steady State @ 25°C			1.25	Watts		
Warm-Up Time @ 25°C		To within $\pm 1 \times 10^{-7}$ in 3 minutes			Minutes		
HCMOS Output Signal		$V_S = +3.3V$ or $+5V$					
	Rise/Fall Time		3nsec	7nsec			
	Logic "0" Level	0.2			Volts		
	Logic "1" Level			$V_S - 0.2$	Volts		
	Symmetry	40		60	%		
Output Load			10		ρF		
	Sinewave Output Signal						
Level			+3		dBm		
	Output Load		50		Ω		
Frequency Adjustment (Pin 7)	Slope		Positive				
	External Voltage	V_C	0	10	Volts	Consult Factory	
	Range		± 4		ppm	AT-Cut	
	Range		± 4		ppm	SC-Cut	
Input Impedance (Pin 7)		20			K Ω		
	Phase Noise	Typical @ 10MHz	AT-Cut		SC-Cut		
		1 Hz	-80		-90	dBc/Hz	
		10 Hz	-115		-120	dBc/Hz	
		100 Hz	-140		-140	dBc/Hz	
		1 kHz	-145		-150	dBc/Hz	
10 kHz		-150		-155	dBc/Hz		
Environmental	Mechanical Shock	Per MIL-STD-202, Method 213, Condition C					
	Vibration	Per MIL-STD-202, Method 201 & 204					
	Storage Temperature	-55°C to 125°C					
	Hermeticity	Per MIL-STD-202, Method 112					
	Solderability	Per EIAJ-STD-002					
	Max. Wave Soldering Cond.	+260°C for 10 seconds					

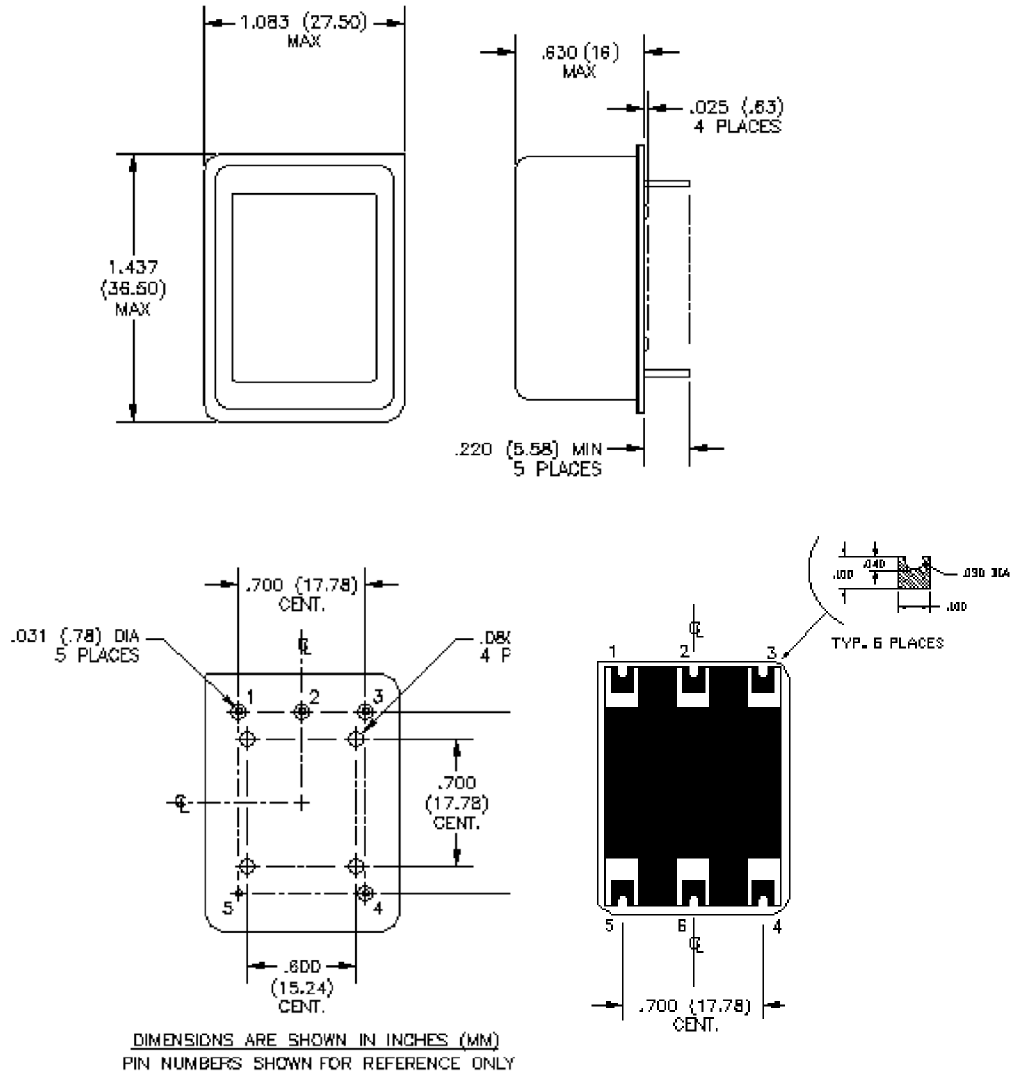
HCMOS Load – see load circuit diagram #2. Sinewave Load - see load circuit diagram #8

Phase Noise Plot

XO5123-007 S/N 50487 vs. Agilent 10811 Beater



Product Dimension & Pinout Information



Pin	Function
1	Vtune
2	Vref
3	Supply
4	RF Out
5	Ground
6*	OvenReady (Option) or N/C

* Pin #6 may be enabled as "Oven Ready", No Connection, or removed entirely.

Handling Information

Although protection circuitry has been designed into the XO5120 oscillator, proper precautions should be taken to avoid exposure to electrostatic discharge (ESD) during handling and mounting. MtronPTI utilizes a human-body model (HBM) and a charged-device model (CDM) for ESD-susceptibility testing and protection design evaluation. ESD voltage thresholds are dependent on the circuit parameters used to define the mode. Although no industry-wide standard has been adopted for the CDM, a standard HBM (resistance = 1500 Ω, capacitance = 100 pF) is widely used and therefore can be used for comparison purposes. The HBM ESD threshold presented here was obtained using these circuit parameters.

Model	ESD Threshold, Minimum	Unit
Human Body	1500*	V
Charged Device	1500*	V

* MIL-STD-883D, Method 3015, Class 1

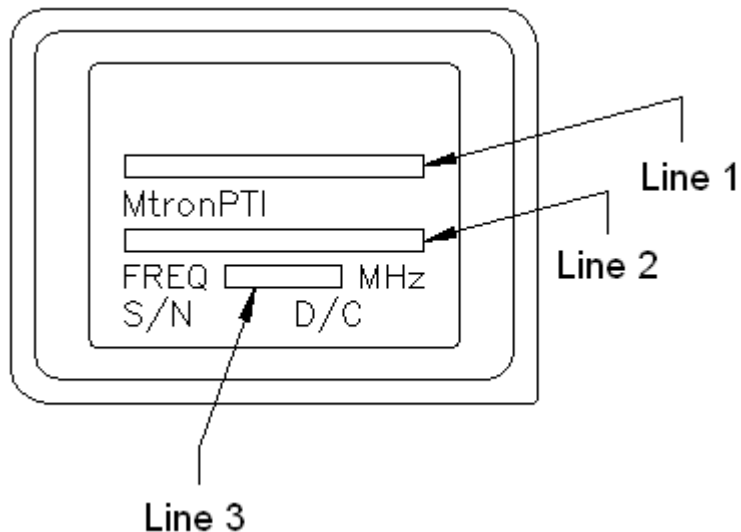


Quality Parameters

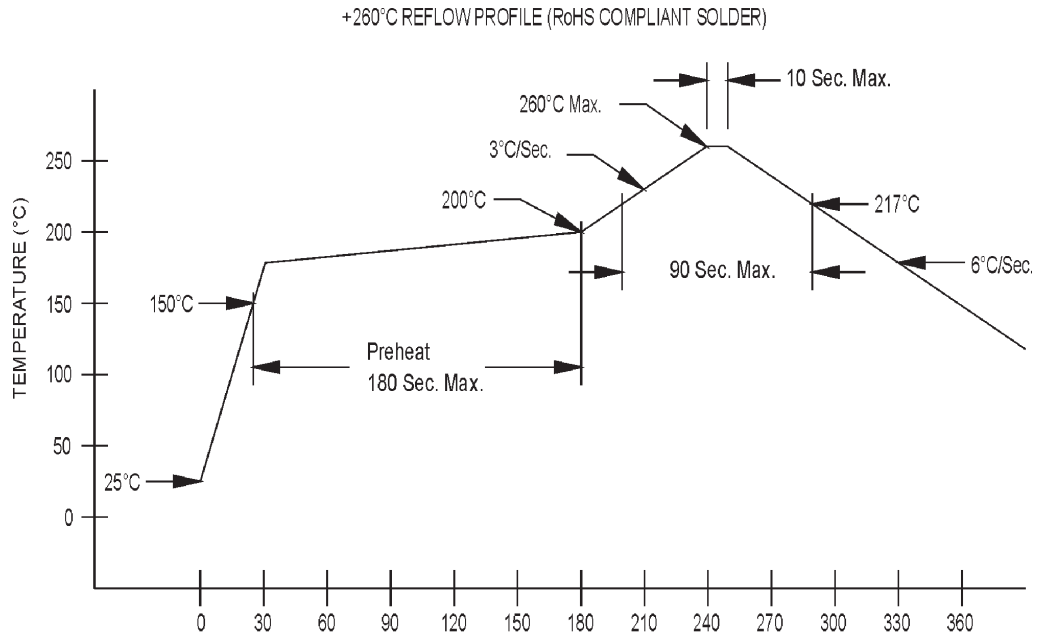
Environmental Specifications/Qualification Testing Performed on the XO5120 OCXO		
Test	Test Method	Test Condition
Electrical Characteristics	Internal Specification	Per Specification
Frequency vs. Temperature	Internal Specification	Per Specification
Mechanical Shock	MIL-STD-202, Method 213, C	100 g, 6 ms
Vibration	MIL-STD-202, Method 201-204	10 g from 10-2000 Hz
Thermal Cycle	MIL-STD-883, Method 1010, B	-55 Deg. C to +125 Deg. C, 15 minute Dwell, 10 cycles
Aging	Internal Specification	168 Hours at 105 Degrees C
Gross Leak	MIL-STD-202, Method 112	30 Second Immersion
Fine Leak	MIL-STD-202, Method 112	Must meet 1x10 ⁻³
Solderability	MIL-STD-883, Method 2003	8 Hour Steam Age – Must Exhibit 95% coverage
Resistance to Solvents	MIL-STD-883, Method 2015	Three 1 minute soaks
Terminal Pull	MIL-STD-883, Method 2004, A	2 Pounds
Lead Bend	MIL-STD-883, Method 2004, B1	1 Bending Cycle
Physical Dimensions	MIL-STD-883, Method 2016	Per Specification
Internal Visual	Internal Specification	Per Internal Specification

Part Marking Guide

- Line 1: Optional Customer Specified
- Line 2: MtronPTI Model Number
- Line 3: Frequency (XXX.YYY)



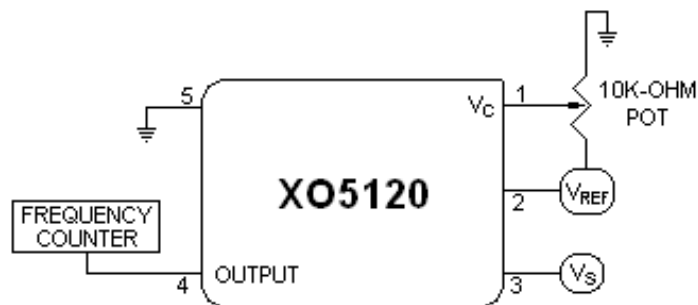
Maximum Soldering Conditions



Solder Conditions

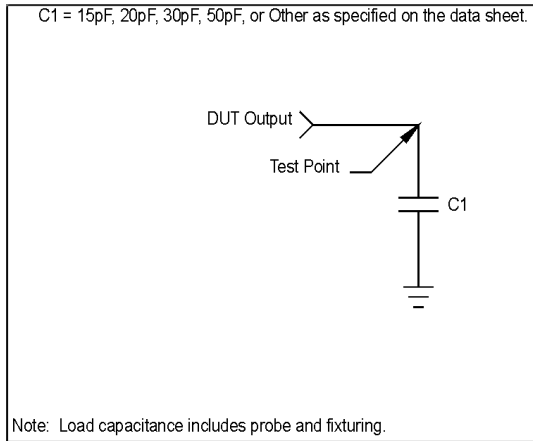
Note: Exceeding these limits may damage the device.

Typical Test Circuit

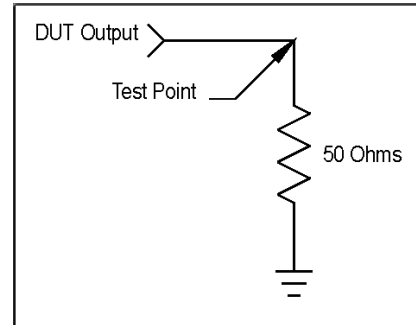


Load Circuit

Load Circuit #2 - HCMOS



Load Circuit #8 - Sinewave - 50 Ohms



Product Revision Table

Date	Revision	PCN Number	Details of Revision

For custom products or additional specifications contact our sales team at
800.762.8800 (toll free) or 605.665.9321

For more information on this product visit the MtronPTI website at
www.mtronpti.com