

Silicon NPN Power Transistors

2SC2681

DESCRIPTION

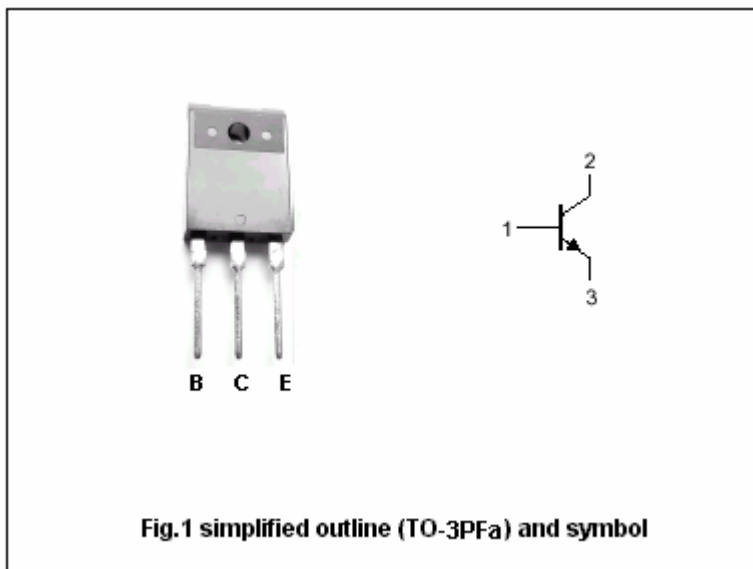
- With TO-3PFa package
- Complement to type 2SA1141
- High transition frequency

APPLICATIONS

- Audio frequency power amplifier
- High frequency power amplifier

PINNING

PIN	DESCRIPTION
1	Base
2	Collector
3	Emitter



Absolute maximum ratings(Ta=25°C)

SYMBOL	PARAMETER	CONDITIONS	VALUE	UNIT
V _{CB0}	Collector-base voltage	Open emitter	115	V
V _{CE0}	Collector-emitter voltage	Open base	115	V
V _{EBO}	Emitter-base voltage	Open collector	5	V
I _C	Collector current		10	A
I _{CM}	Collector current-peak		15	A
P _C	Collector power dissipation	T _C =25°C	100	W
		T _a =25°C	2	
T _j	Junction temperature		150	°C
T _{stg}	Storage temperature		-55~150	°C

Silicon NPN Power Transistors

2SC2681

CHARACTERISTICS

T_j=25 °C unless otherwise specified

SYMBOL	PARAMETER	CONDITIONS	MIN	TYP.	MAX	UNIT
V _{CEsat}	Collector-emitter saturation voltage	I _C =4.5A ; I _B =0.45A		0.6	1.5	V
V _{BE}	Base-emitter on voltage	I _C =4.5A ; V _{CE} =2V		1.2	2.0	V
I _{CBO}	Collector cut-off current	V _{CB} =80V; I _E =0			50	μA
I _{EBO}	Emitter cut-off current	V _{EB} =5V; I _C =0			50	μA
h _{FE-1}	DC current gain	I _C =1A ; V _{CE} =2V	60		200	
h _{FE-2}	DC current gain	I _C =4.5A ; V _{CE} =2V	40			
C _{OB}	Output capacitance	I _E =0 ; V _{CB} =10V; f=1MHz		230		pF
f _T	Transition frequency	I _C =1A ; V _{CE} =2V		80		MHz

◆ h_{FE-1} classifications

R	Q
60-120	100-200

Silicon NPN Power Transistors

2SC2681

PACKAGE OUTLINE

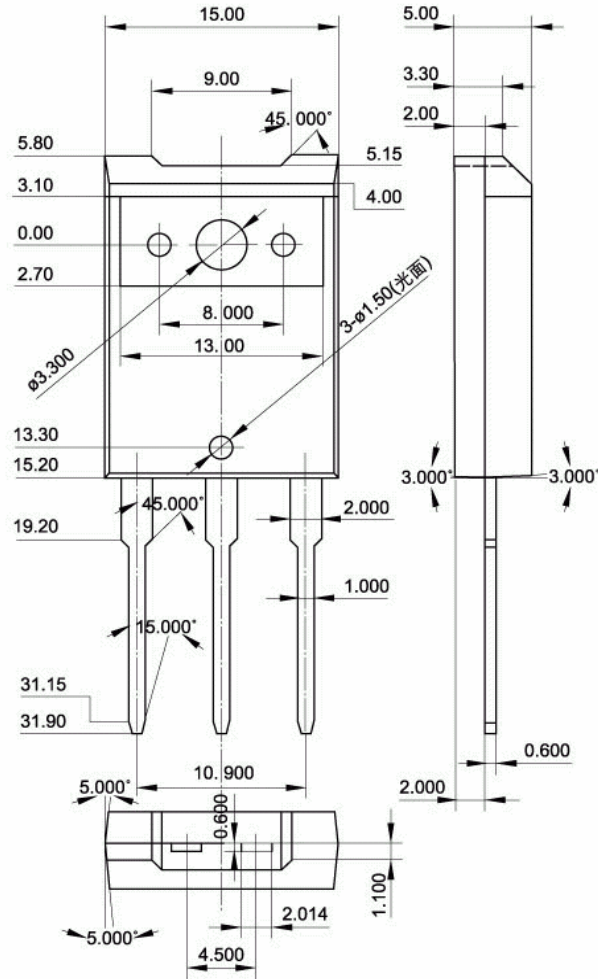


Fig.2 Outline dimensions (unindicated tolerance:±0.30mm)