



# GTO Clamping Capacitors, Self-healing, Segmented

|                          |                      |                         |
|--------------------------|----------------------|-------------------------|
| <b>PART NO.</b>          | <b>GTO 2940-12RP</b> |                         |
| <b>ART. NO.</b>          | <b>20914</b>         |                         |
| <b>NOMINAL RATINGS</b>   |                      |                         |
| Capacitance/Tolerance    | CN                   | 12uF ± 5%               |
| Rated voltage            | UN                   | 2940V                   |
| Rated DC voltage         | Udc                  | 2940VDC                 |
| Peak voltage period.     | Us                   | 3600VDC                 |
| Peak voltage not period. | Usmax                | 4100VDC                 |
| Voltage raise            | du/dt                | 200V/us                 |
| Rated current            | In                   | 50A                     |
| Peak current             | Is                   | 2400A                   |
| Inductance               | Ls                   | < 20nH                  |
| Loss factor diel.        | tanδ                 | < 2*10 <sup>-4</sup>    |
| Loss factor 50Hz         | tanδ                 | < 2*10 <sup>-4</sup>    |
| Loss factor 1kHz         | tanδ                 | < 10.0*10 <sup>-4</sup> |

|                    |          |
|--------------------|----------|
| <b>DESIGN DATA</b> |          |
| Diameter           | 91mm     |
| Height             | 161mm    |
| Drawing            | 20-B-043 |
| Weight             | 1.2kg    |
| Casing material    | Lathene  |

|          |     |
|----------|-----|
| Mounting | All |
|----------|-----|

|                        |              |
|------------------------|--------------|
| <b>LIFE EXPECTANCY</b> | > 100000 Std |
|------------------------|--------------|

|                     |         |
|---------------------|---------|
| <b>FAILURE RATE</b> | 300 FIT |
|---------------------|---------|

### ROUTINE TESTS

|                                |      |                |
|--------------------------------|------|----------------|
| Test voltage terminal/terminal | UT/T | 5880V, DC, 10s |
|--------------------------------|------|----------------|

### OPERATING TEMPERATURE

|                             |       |        |
|-----------------------------|-------|--------|
| Minimum ambient temperature | Tamin | - 40°C |
| Maximum ambient temperature | Tamax | 70°C   |
| Minimum casing temperature  | Tcmin | - 40°C |
| Maximum casing temperature  | Tcmax | 70°C   |

### STORAGE TEMPERATURE

|                     |      |        |
|---------------------|------|--------|
| Minimum temperature | Tmin | - 50°C |
| Maximum temperature | Tmax | 85°C   |

### TECHNOLOGY

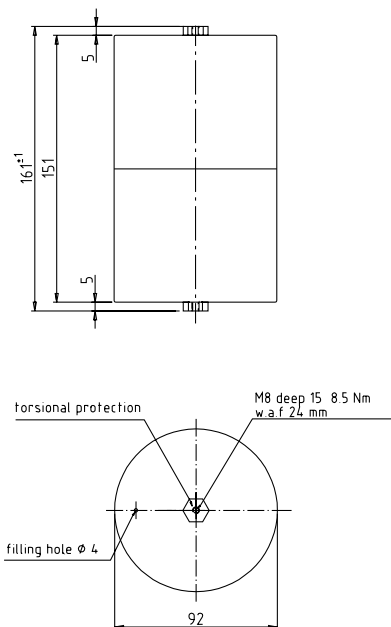
|            |                                                               |
|------------|---------------------------------------------------------------|
| Dielectric | Polypropylene film, metallized, self-healing <b>segmented</b> |
|------------|---------------------------------------------------------------|

|                  |                                |
|------------------|--------------------------------|
| Filling material | resin, polyurethane <b>dry</b> |
|------------------|--------------------------------|

### BUSHING

|                   |               |
|-------------------|---------------|
| Internal thread   | M8 depth 15mm |
| Max. torque       | 8.5Nm         |
| Air distance      | 217mm         |
| Creepage distance | 217mm         |

### DIMENSIONS





## Notice

Specifications of the products displayed herein are subject to change without notice. Vishay Intertechnology, Inc., or anyone on its behalf, assumes no responsibility or liability for any errors or inaccuracies.

Information contained herein is intended to provide a product description only. No license, express or implied, by estoppel or otherwise, to any intellectual property rights is granted by this document. Except as provided in Vishay's terms and conditions of sale for such products, Vishay assumes no liability whatsoever, and disclaims any express or implied warranty, relating to sale and/or use of Vishay products including liability or warranties relating to fitness for a particular purpose, merchantability, or infringement of any patent, copyright, or other intellectual property right.

The products shown herein are not designed for use in medical, life-saving, or life-sustaining applications. Customers using or selling these products for use in such applications do so at their own risk and agree to fully indemnify Vishay for any damages resulting from such improper use or sale.