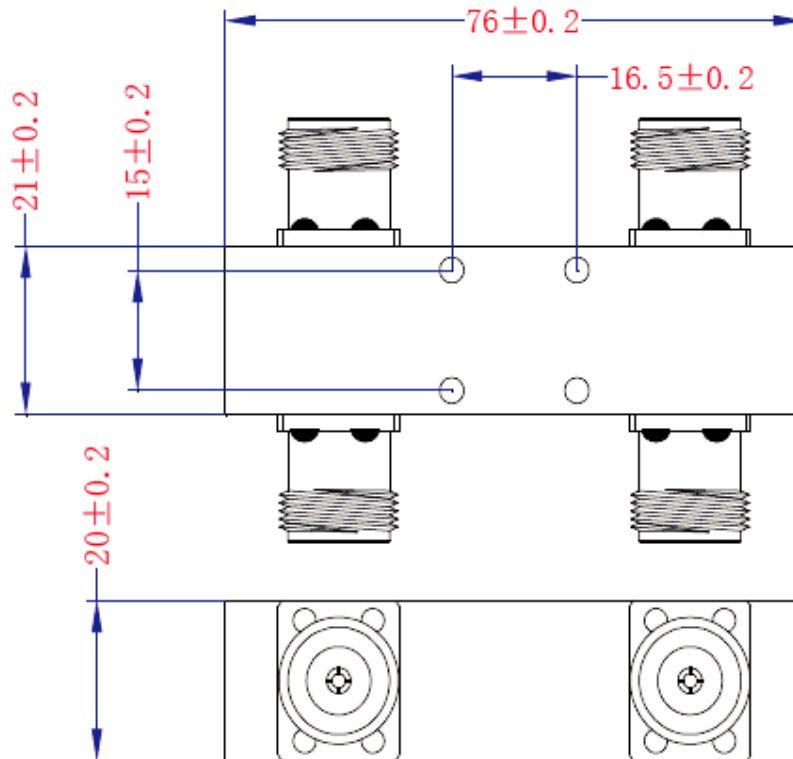


Dual Directional Coupler

P/N: JXWBSO-T-2000-8000-30

Frequency Range(GHz)	2-8
Coupling(dB)	30±1.5
Insertion Loss(dB)	0.6
VSWR	1.4
Directivity(dB)	16
Power Handling(W)	50
Impedance(Ohms)	50
Connector	N-Female
Operating Temperature(°C)	-20 ~ +60
Storage Temperature(°C)	-40 ~ +80

Outline Drawing (Size: mm)



For current data sheets, please contact: sales@aacix.com