

IF SAW Filter 38.9120 MHz
Part No: MA04926

Model: TB0199A
REV. NO.: 3

A. MAXIMUM RATING:

1. Input Power Level: 10dBm
2. DC voltage: 10V
3. Operating Temperature: -30°C to +85°C
4. Storage Temperature: -30°C to +85°C

B. ELECTRICAL CHARACTERISTICS:

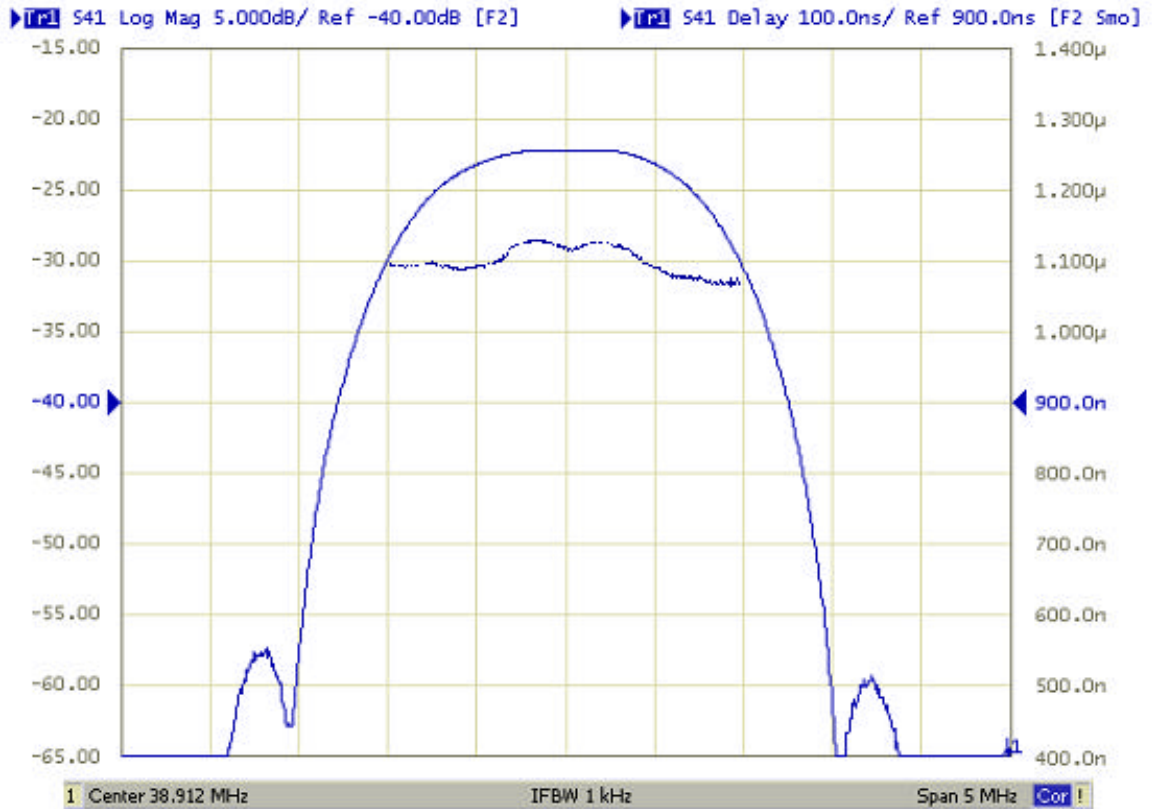
Item	Min.	Typ.	Max.	Note
Center frequency F_C (MHz)	38.812	38.912	39.012	
Insertion Loss (dB) IL_{min}	-	22.5	25.0	
Pass bandwidth (relative to IL_{min}) BW_3 (MHz)	1.40	1.50	-	
Pass bandwidth (relative to IL_{min}) BW_{30} (MHz)	-	2.85	3.00	
Attenuation:(relative to IL_{min}) (dB)				
30.00~36.26 MHz (dB)	35.0	40.0	-	
36.26~37.30 MHz (dB)	33.0	37.0	-	
40.60~41.40 MHz (dB)	35.0	40.0	-	
41.40~50.00 MHz (dB)	35.0	38.0	-	
Group Delay Variation:				
38.16~39.66 MHz (nsp-p)	-	80	200	
Temperature coefficient (ppm/K)	-	-20	-	

IF SAW Filter 38.9120 MHz
Part No: MA04926

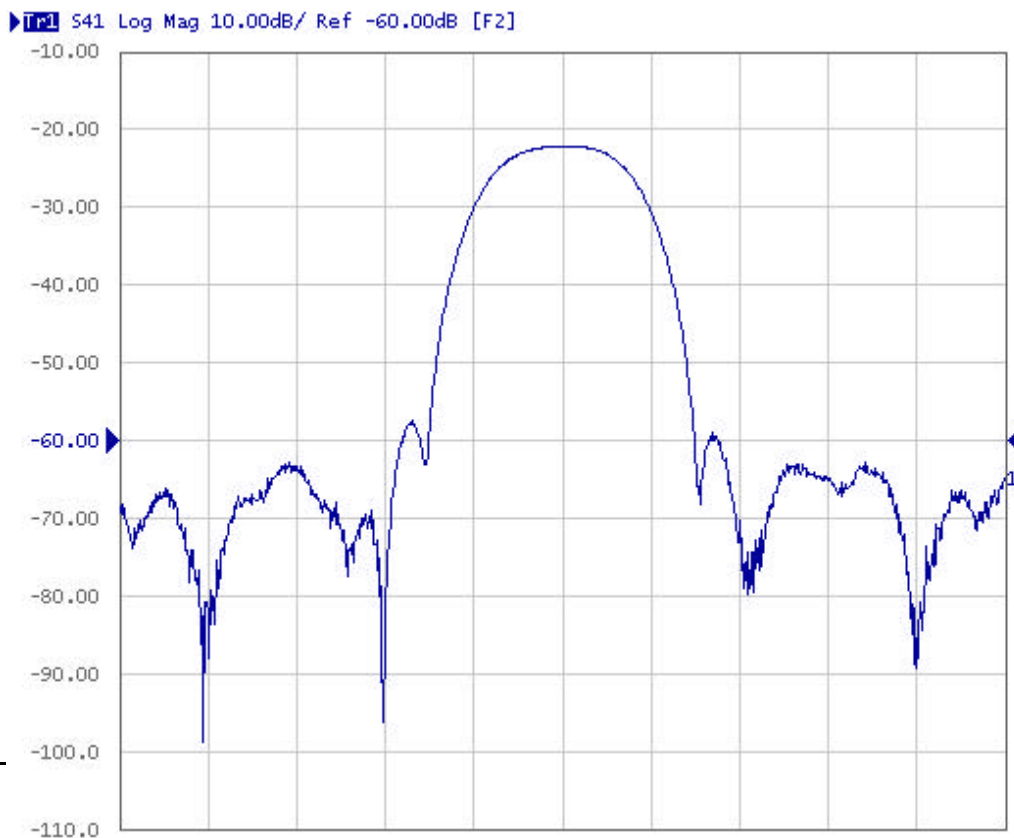
Model: TB0199A
REV. NO.: 3

C. FREQUENCY CHARACTERISTICS:

1. Group delay:



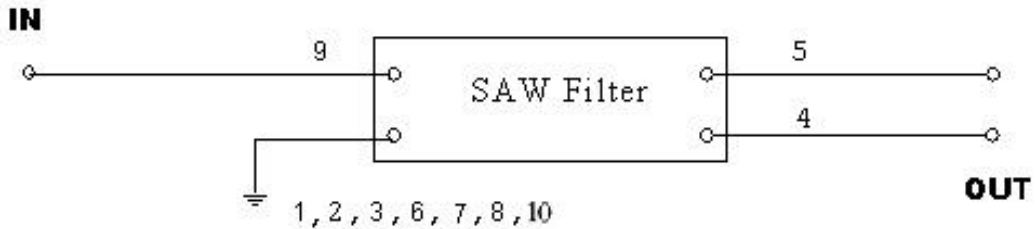
2. S21 Response:



IF SAW Filter 38.9120 MHz
Part No: MA04926

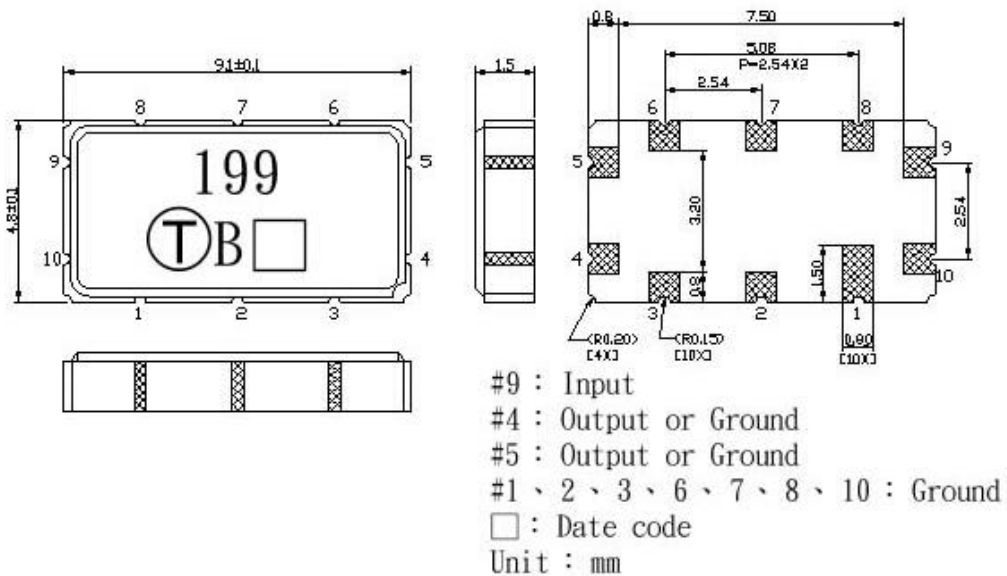
Model: TB0199A
REV. NO.: 3

D. MEASUREMENT CIRCUIT:

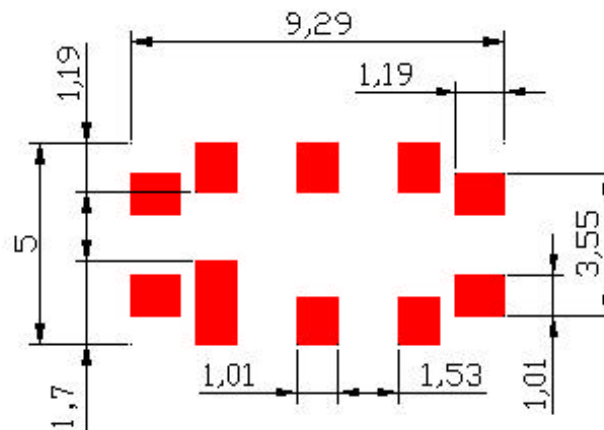


In/out Impedance = 50W/50W

E. OUTLINE DRAWING:



F. PCB Footprint

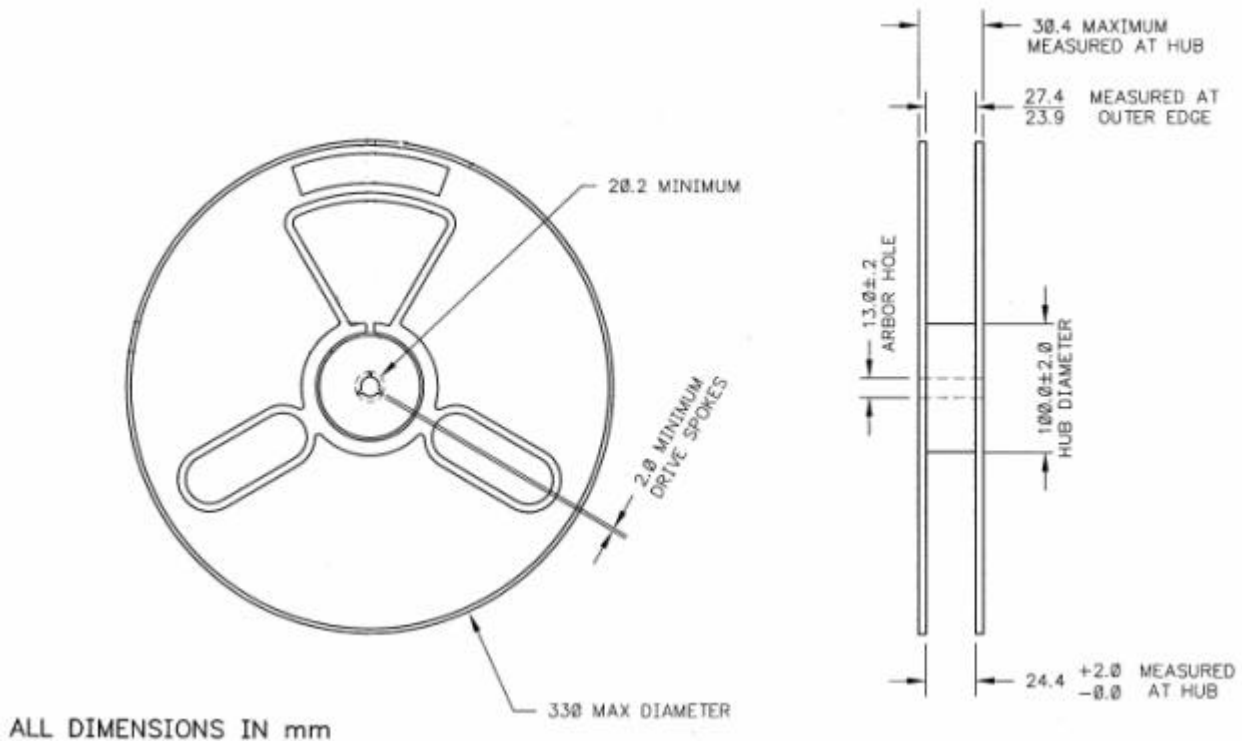


IF SAW Filter 38.9120 MHz
Part No: MA04926

Model: TB0199A
REV. NO.: 3

G. PACKING:

1. REEL DIMENSION



2. TAPE DIMENSION

