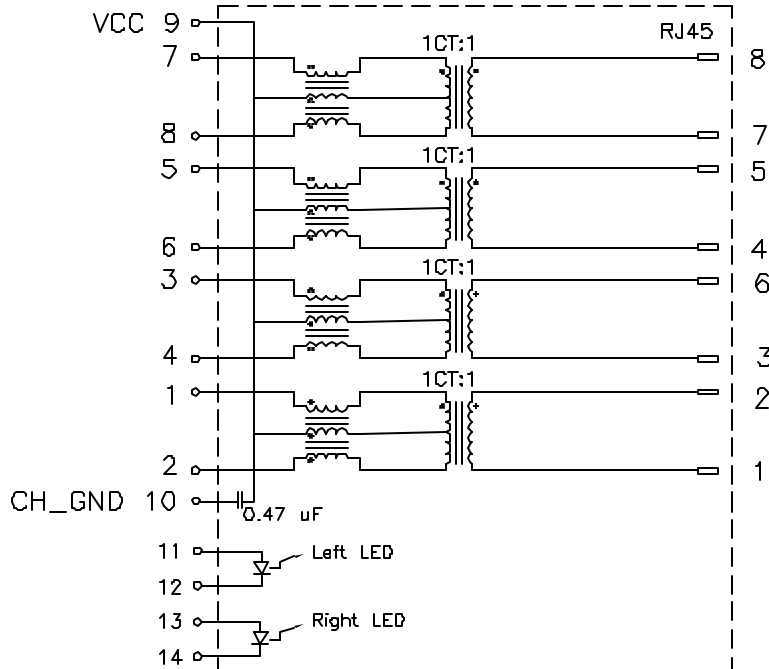


Schematic:



Electrical Specifications: 25°C

- Turns Ratio: TX 1CT:1±3%, RX 1CT:1±3%
- Isolation Voltage: 1500 Vrms (INPUT to OUTPUT)
- Insertion Loss (0.1MHz-100MHz): -0.8dB Max
- Insertion Loss (100MHz-125MHz): -1.2dB Max
- Return Loss: -18dB Min. @0.5MHz-40MHz
 $-12+20 \log(f/80\text{MHz})$ Min @40MHz-100MHz
- Crosstalk : $-33+20\log(f/100\text{MHz})$ dB Min
- Common to Differential Mode Rejection @100KHz-100MHz: -35dB Min
- Common to Common Mode Rejection @100KHz-100MHz: -30dB Min

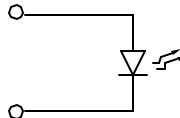
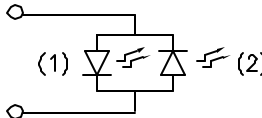
Complete the Combo P/N as follows:

Replace 'x' & 'u' in the part number with one of the LED color letters:

Y=Yellow
 G=Green
 A=Amber
 R=Red

'x' = Left LED Color
 'u' = Right LED Color

C=Green(1)/Amber(2) Bicolor
 D=Amber(1)/Green(2) Bicolor
 M=Green(1)/Yellow(2) Bicolor
 N=Yellow(1)/Green(2) Bicolor
 P=Red(1)/Green(2) Bicolor
 Q=Green(1)/Red(2) Bicolor

Single Color LED:  Bi-Color LED: 

Notes:

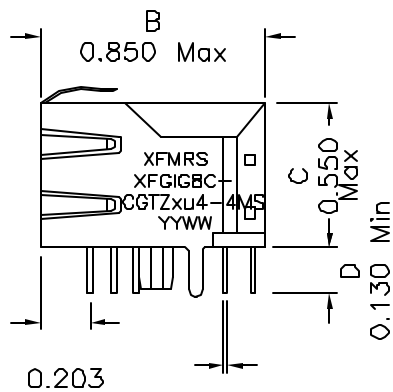
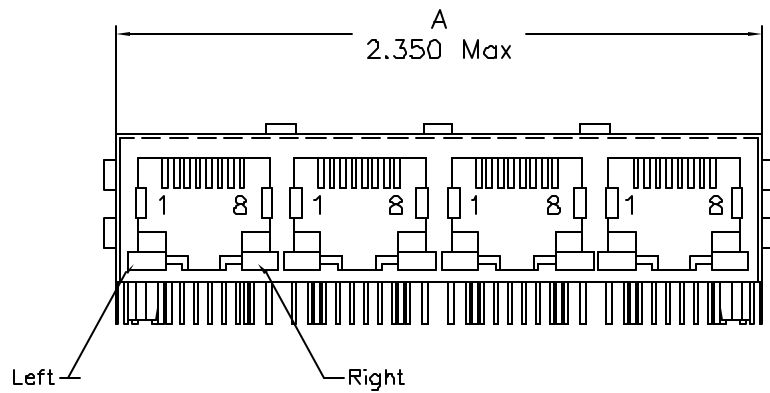
1. Solderability: Leads shall meet MIL-STD-202, Method 208D for solderability.
2. Flammability: UL94V-0
3. ASTM oxygen index: > 28%
4. Insulation System: Class F 155°C. UL file E151556
5. Operating Temperature Range: All listed parameters are to be within tolerance from -40°C to +85°C
6. Storage Temperature Range: -55°C to +125°C
7. Aqueous wash compatible
8. SMD Lead Coplanarity: ±0.004"(0.102mm)
9. Moisture Sensitivity: Level 2

DOC. REV. A/1

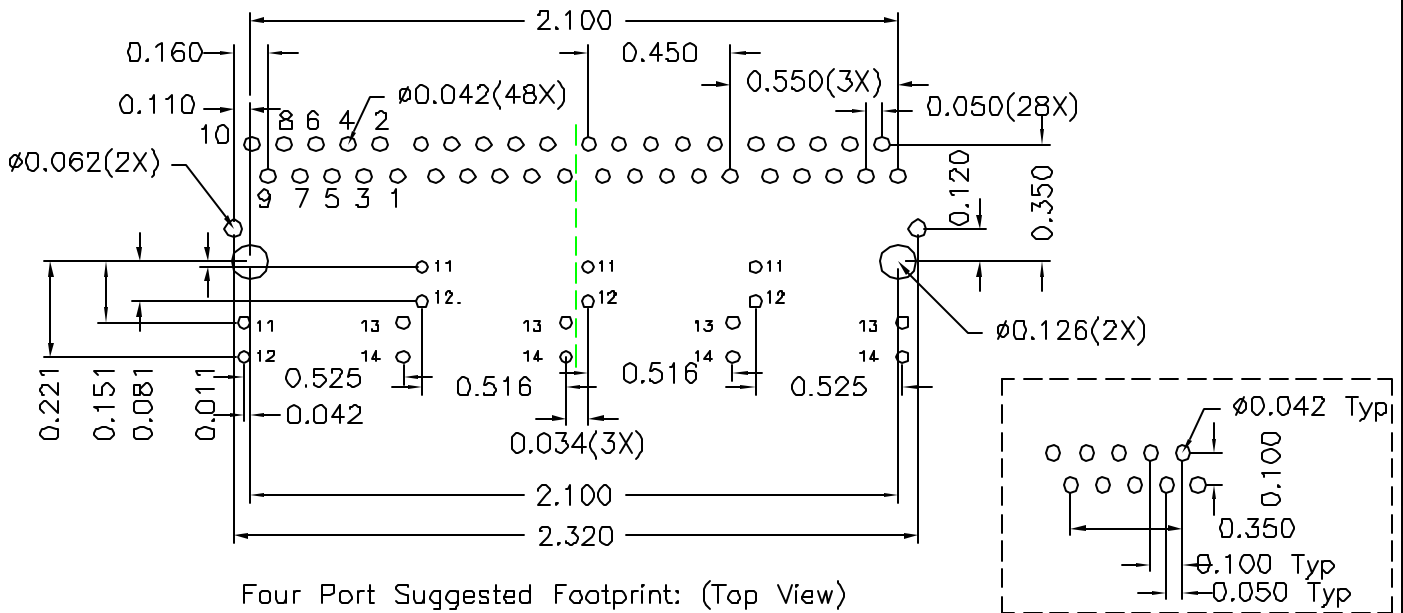
PROPRIETARY:
 Document is the property of XFMRs Group & is not allowed to be duplicated without authorization.

XFMRs Inc.	Title: 4 PORT COMBO w/LED		
	UNLESS OTHERWISE SPECIFIED	P/N: XFGIG8C-CGTZxu4-4MS	REV. A
TOLERANCES: .xxx ±0.010	DWN.	罗振江	Sep-30-04
Dimensions in Inch	CHK.	廖玉坤	Sep-30-04
SHEET 1 OF 2	APP.	J Ng	Sep-30-04

Mechanical Dimensions:



SQ 0.015±0.005



Four Port Suggested Footprint: (Top View)

XFMRS Inc. UNLESS OTHERWISE SPECIFIED TOLERANCES: .xxx ±0.010 Dimensions in Inch	Title: FOUR PORT COMBO w/ LED's		
	P/N: XFGIG8C-CGTZxu4-4MS	REV. A	
DOC REV: A/1 PROPRIETARY: Document is the property of XFMRS Group & is not allowed to be duplicated without authorization.	DWN.	Juan Mao	Sep-30-04
	CHK.	YK Liao	Sep-30-04
	APP.	J Ng	Sep-30-04
SHEET 2 OF 2			