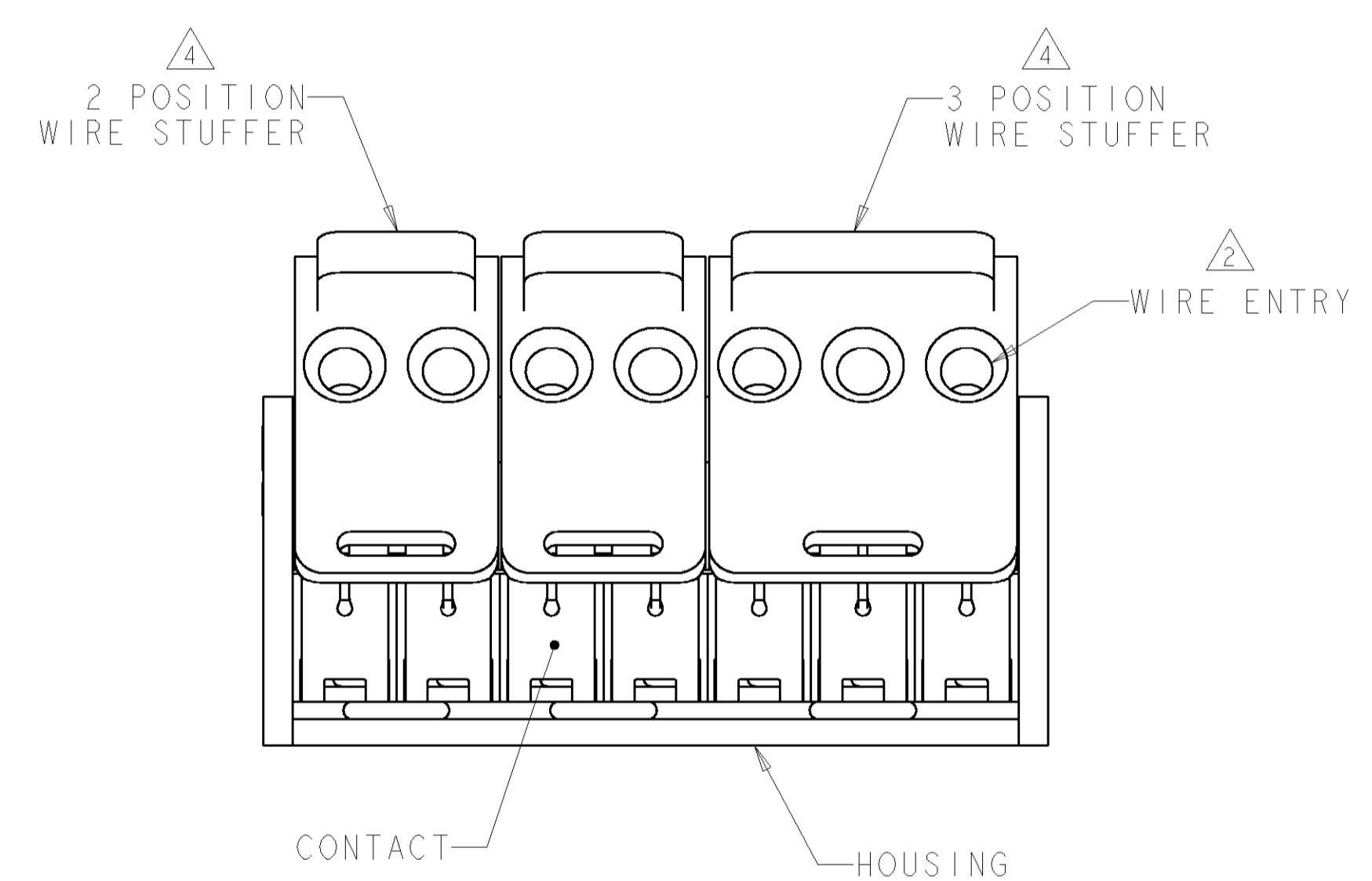
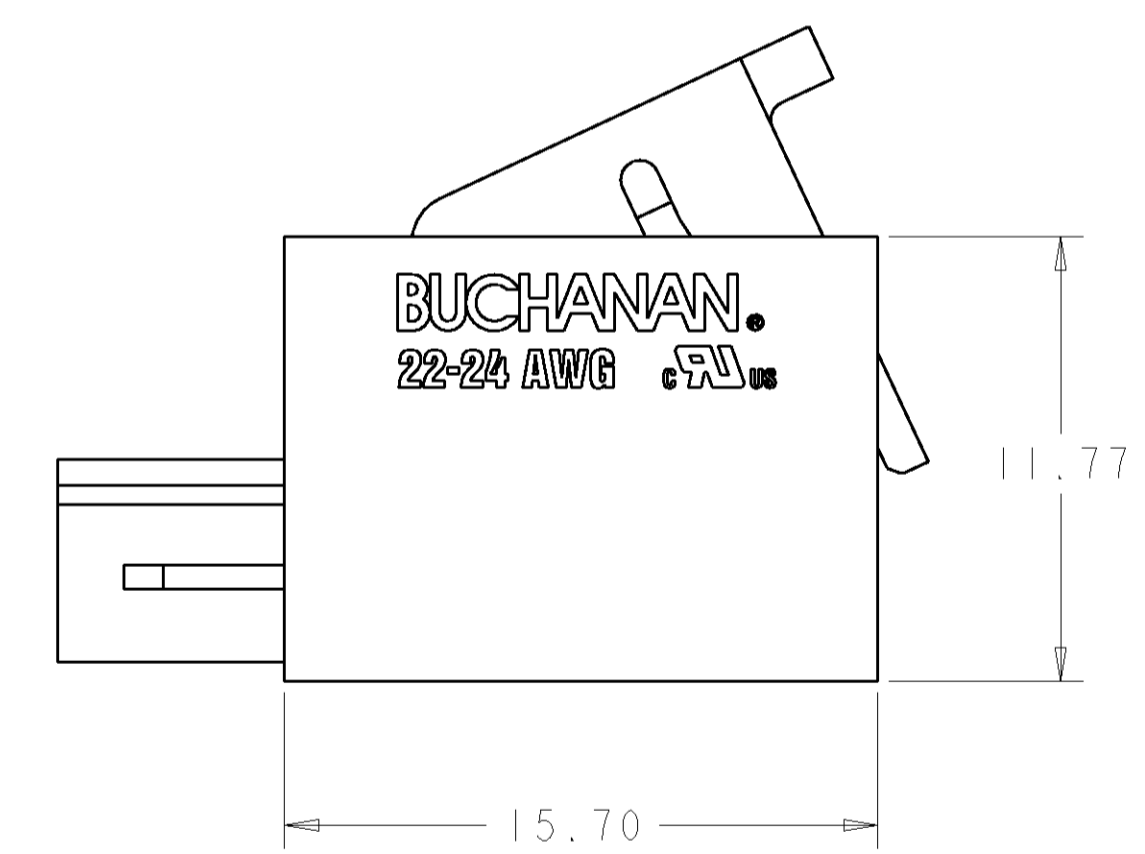
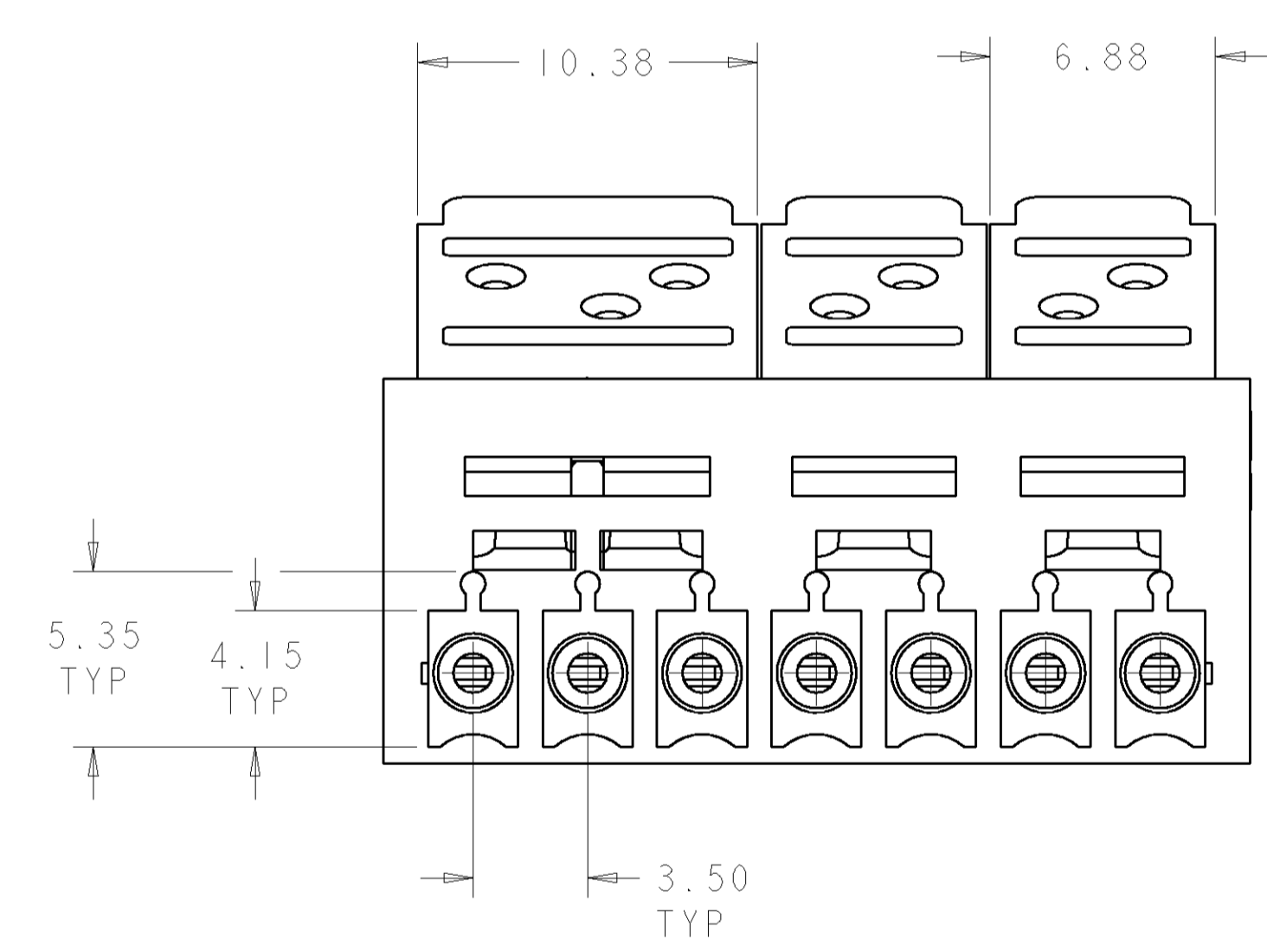
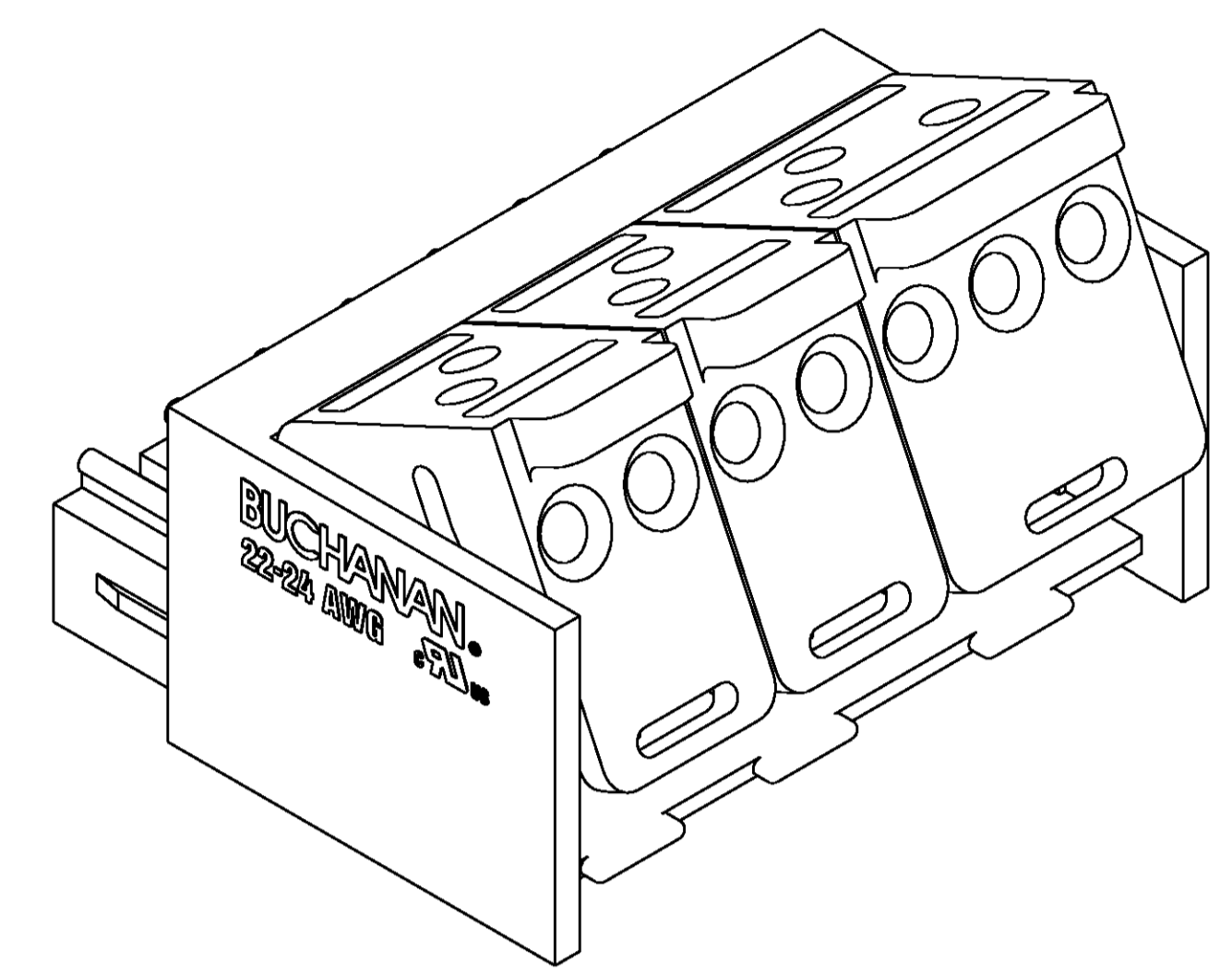
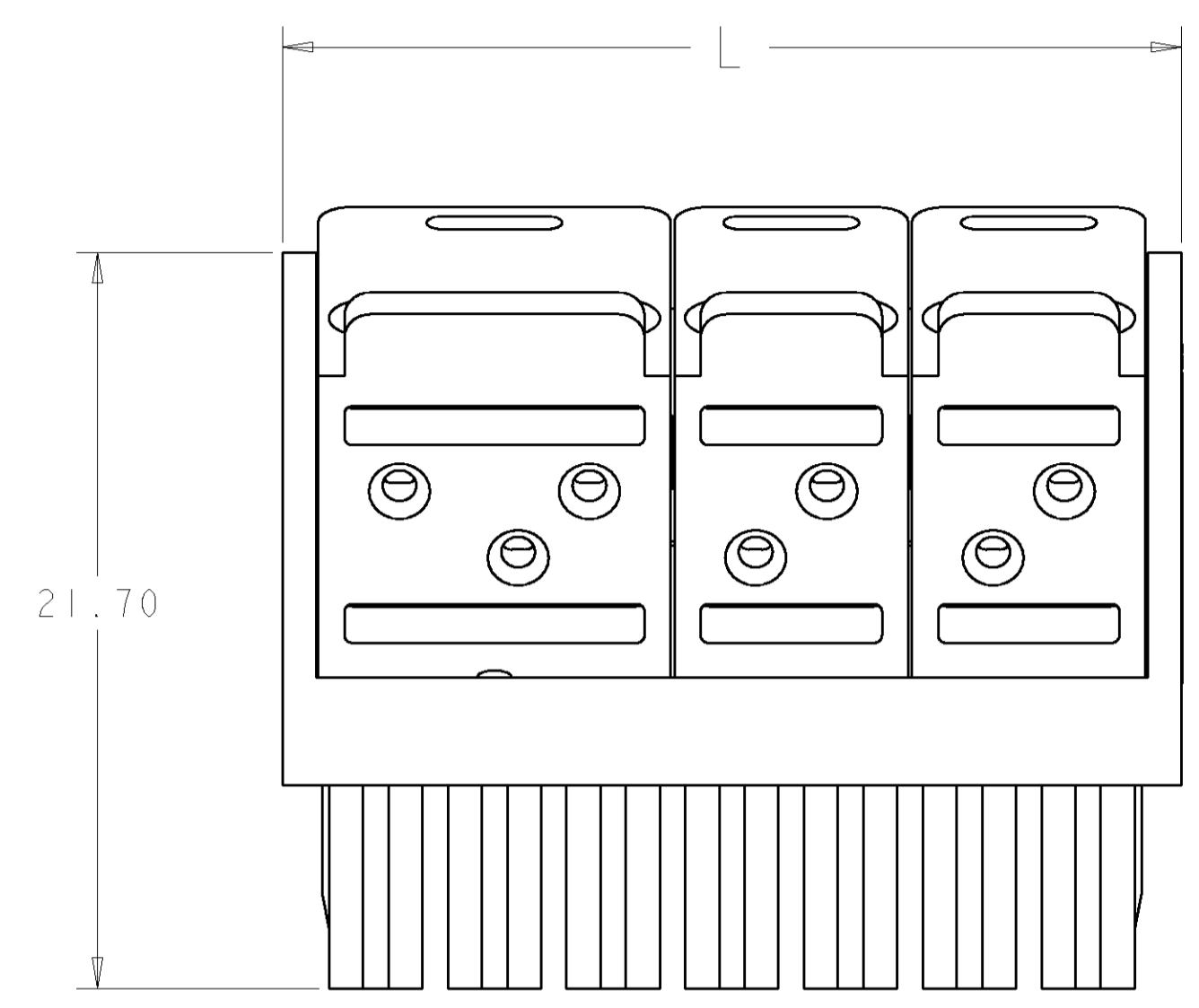


LOC		DIST		REVISIONS			
FT	0	P	LTR	DESCRIPTION	DATE	DWN	APVD
		0		RELEASED EC 0638-0963-04	18MAR2005	SW	CR



- 1 MATERIAL AND FINISH:  
 HOUSING: POLYESTER, COLOR: GREEN.  
 WIRE STUFFERS: POLYCARBONATE, COLOR: CLEAR.  
 CONTACT: COPPER ALLOY, 3.00µm MINIMUM TIN OVER 1.27µm NICKEL.
- 2 WIRE ENTRY ACCEPTS ONE UNSTRIPPED, STRANDED OR SOLID COPPER 22-24 AWG WIRE WITH A MAXIMUM INSULATION DIAMETER OF 1.52mm. RECOMMENDED WIRE INSULATION IS PVC. THIS CONNECTOR MAY NOT FUNCTION CORRECTLY WITH SRPVC OR ANY OTHER RIGID OR SEMI-RIGID INSULATION. CONTACT TYCO FOR ALL OTHER WIRE INSULATION APPROVAL BEFORE USE.
- 3. MATES WITH 3.5mm OPEN AND CLOSED-END INDUSTRY STANDARD HEADERS.
- 4 ODD POSITION ASSEMBLIES USE ONE 3 POSITION WIRE STUFFER LOCATED OVER THE LAST THREE POSITIONS AS SHOWN AND 2 POSITION WIRE STUFFERS FOR REMAINING POSITIONS.
- 5. ASSEMBLIES SHIPPED WITH WIRE STUFFERS IN THE OPEN POSITION.

58.00	16	1-1776282-6
54.50	15	1-1776282-5
51.00	14	1-1776282-4
47.50	13	1-1776282-3
44.00	12	1-1776282-2
40.50	11	1-1776282-1
37.00	10	1-1776282-0
33.50	9	1776282-9
30.00	8	1776282-8
26.50	7	1776282-7
23.00	6	1776282-6
19.50	5	1776282-5
16.00	4	1776282-4
12.50	3	1776282-3
9.00	2	1776282-2
L	NO OF POSN	PART NUMBER

DIMENSIONS: mm 		TOLERANCES UNLESS OTHERWISE SPECIFIED: 0 PLC ±.5 1 PLC ±0.13 2 PLC ±0.13 3 PLC ±0.000 4 PLC ±0.000 ANGLES ±.		DWN S. WELDON 18MAR2005 CHK C. RICHARD 18MAR2005 APVD C. RICHARD 18MAR2005		BUCHANAN Tyco Electronics Harrisburg, PA 17105-3608	
MATERIAL: - FINISH: -		DIMENSIONS: - TOLERANCES UNLESS OTHERWISE SPECIFIED: -		PRODUCT SPEC: 108-1981 APPLICATION SPEC: 114-13037		NAME: PIVOT BLOCK ASSEMBLY, 22-24 AWG, GREEN, 3.5mm SIZE: A1 CAGE CODE: 00779 DRAWING NO: C=1776282	
CUSTOMER DRAWING				SCALE: 5:1		SHEET 1 OF 1 REV 0	