

# GOG9xx06W

## THREE PHASE AC-DC BRIDGE

- Fuse protection
- Temperature sensors
- Snubber for SCR's protections
- Water cooling
- Lowest overall dimensions

**LINE VOLTAGE UP TO 600V**

**DC OUTPUT CURRENT 650A**

**GOG940... GOG950... GOG960...**

Line to line voltage	<b>400</b>	<b>500</b>	<b>600</b>
----------------------	------------	------------	------------

Characteristic		Conditions	Value	Value	Value
I <sub>DC</sub>	DC output current		650 A	650 A	650 A
V <sub>INS</sub> (rms)	Insulation voltage		3000 V	3000 V	3000 V

### THYRISTOR CHARACTERISTICS

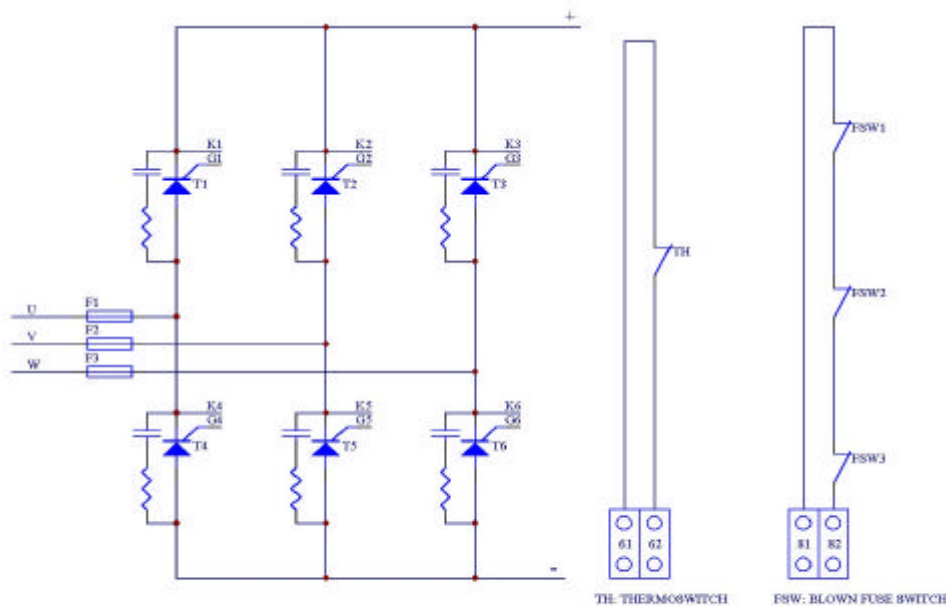
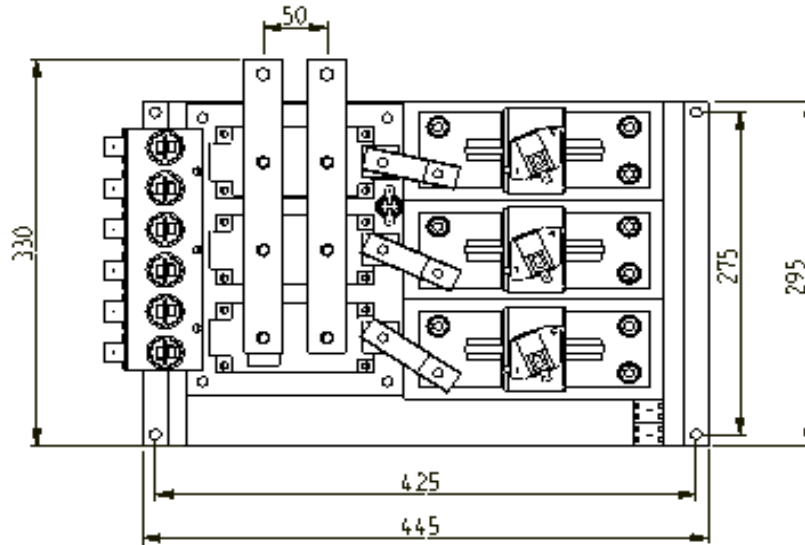
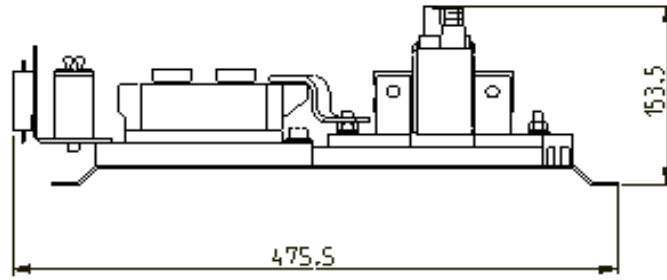
V <sub>GT</sub>	Gate trigger voltage	T <sub>j</sub> = 25 °C, V <sub>D</sub> = 5 V	3 V	3 V	3 V
I <sub>GT</sub>	Gate trigger current	T <sub>j</sub> = 25 °C, V <sub>D</sub> = 5 V	300 mA	300 mA	300 mA
dV/dt	Critical rate of rise off-state voltage	T <sub>j</sub> = 125 °C	1000 V/us	1000 V/us	1000 V/us
V <sub>RRM</sub>	Blocking Voltage	T <sub>j</sub> = 125 °C	1200 V	1600 V	2200 V

### FUSE TYPE SIBA 20666132.500

V <sub>NF</sub>	Rated voltage		690 V	690 V	690 V
I <sub>NF</sub>	Rated current		500 A	500 A	500 A
P <sub>VF</sub>	Power loss	At rated current	72 W	72 W	72 W
I <sup>2</sup> <sub>t</sub>	Total I <sup>2</sup> t	At 660V	180 kA2s	180 kA2s	180 kA2s

### MECHANICAL AND THERMAL CHARACTERISTICS

	Width		330 mm	330 mm	330 mm
	Depth		154 mm	154 mm	154 mm
	Height		476 mm	476 mm	476 mm
	Mass		30 kg	30 kg	30 kg
T <sub>w max</sub>	Max water Temp.		30 °C	30 °C	30 °C
T <sub>stg</sub>	Storage temperature		-40/60 °C	-40/60 °C	-40/60 °C



61-62: THERMOSWITCH CIRCUIT CONNECTION  
81-82: BLOWN FUSE SWITCH CIRCUIT CONNECTION

In the interest of product improvement Green Power Solutions reserves the right to change any specification given in this data sheet without notice.