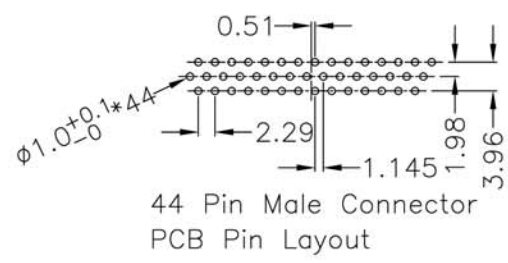
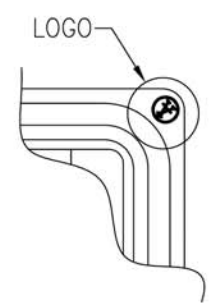
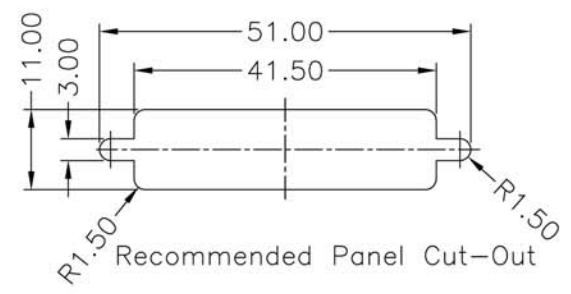
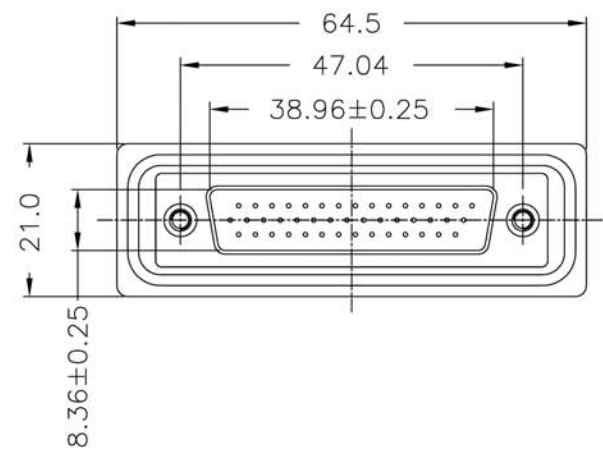
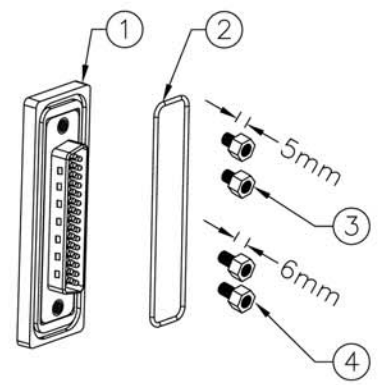


Screw L=6.0 For Panel Thickness Between 1.2~2.0mm



- Note:
- * Waterproof Rate: IP67
 - * Connector: Black, Nylon+GF
 - * Pin: Copper Alloy, Gold Plated



<p>ITEM NO A-HDS44PP-WP</p>
<p>TITLE D-SUB, High Density, Male, 44 pin, 180°</p>

ASSMANN
Electronics, Inc.

1840 W. Drake Drive, Suite 101 - Tempe, AZ 85283
Toll Free: 1-877-277-6266 Email: info@usa-assmann.com

THIS DRAWING IS UNPUBLISHED
© Copyright 2008 by Assmann Electronic Components
All International Rights Reserved