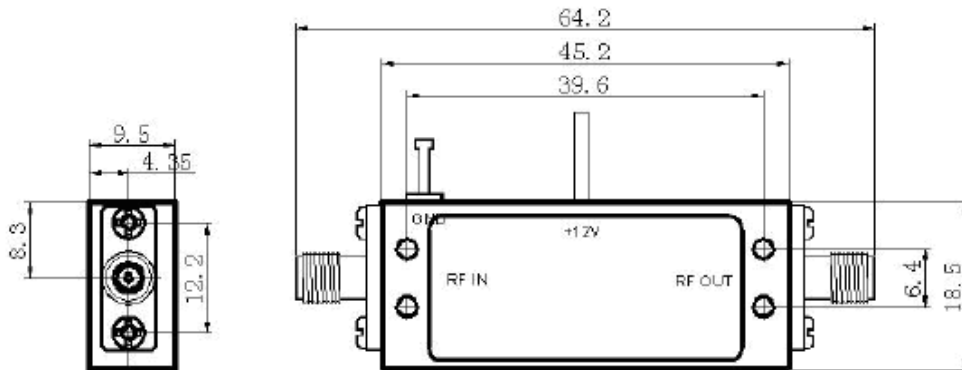


Low Noise Amplifier

P/N: JXWBLA-T-2-8-45

| | |
|---------------------------|---------------|
| Frequency Range(GHz) | 2-8 |
| Gain(dB) | 45 Typ. |
| Gain Flatness(dB) | ±2 max |
| Noise Figure(dB) | 2.5 max |
| VSWR | 2.0 max |
| Pout@1dB(dBm) | 10 |
| DC Supply(V) | +12 |
| Connector | SMA-Female |
| Operating Temperature(°C) | -10 ~ +50 |
| Finish | Nickel Plated |
| Net Weight(Kg) | 0.03 Around |

Outline Drawing (Size: mm)



For current data sheets, please contact: sales@aacix.com