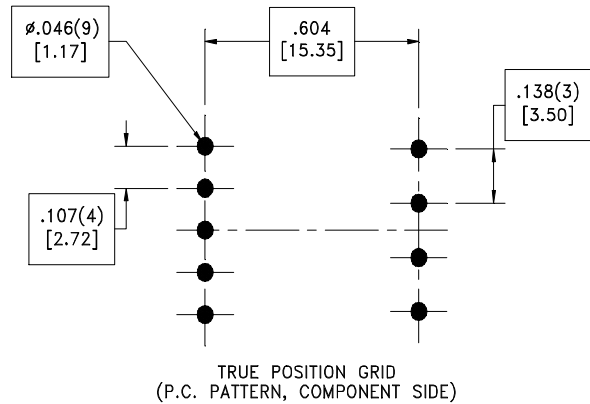
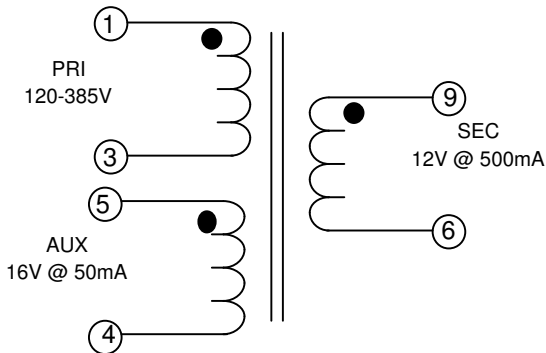
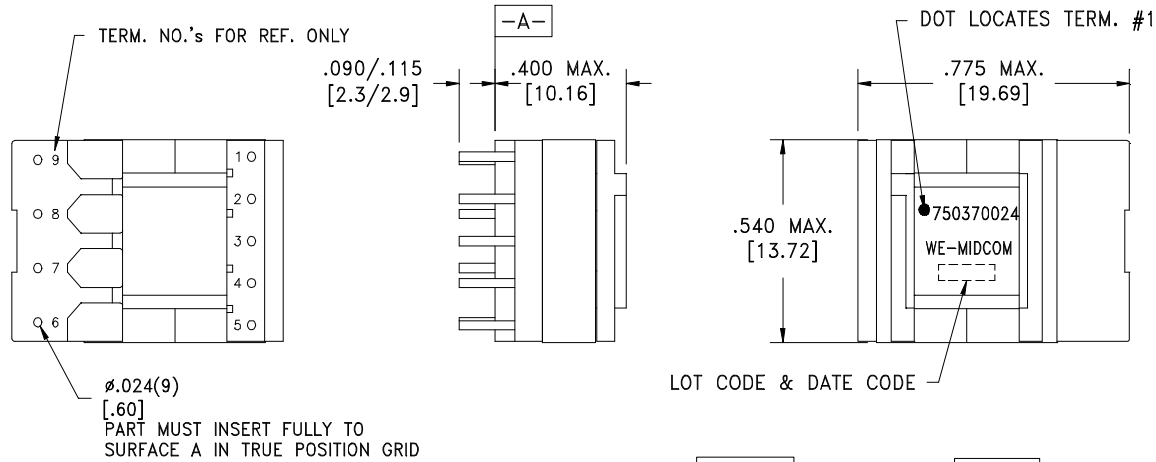


CUSTOMER TERMINAL	RoHS	LEAD(Pb)-FREE
Sn96%, Ag4%	Yes	Yes



**ELECTRICAL SPECIFICATIONS @ 25°C unless otherwise noted:**

D.C. RESISTANCE (@20°C):	1-3 , 6.20 Ohms max. 6-9 , 0.10 Ohms max. 4-5 , 1.00 Ohms max.
DIELECTRIC RATING:	4500VAC, 1 minute tested by applying 5000VAC for 1 second between pins 1-9(3+5).
INDUCTANCE:	1.60 mH ±10%, 10kHz, 100mVAC, 0mADC, 1-3, Ls.
LEAKAGE INDUCTANCE:	35.0µH max., 100kHz, 100mVAC, 1-3(4+5,6+9), Ls.
URNS RATIO:	( 1-3 ):( 9-6 ), ( 8 ):(1.00), ±1%. ( 1-3 ):( 5-4 ), ( 6 ):(1.00), ±1%.

OPERATING TEMPERATURE RANGE: -40°C to 125°C.

Midcom, Inc. Watertown, SD USA Toll Free: 800-643-2661 Fax: 605-886-4486	Unless otherwise specified, tolerances are as follows: Angles: ±1°      Fractions: ±1/64 Decimals: ±.005 (.127mm)		Midcom, Inc.	
	Drawing Title <b>Transformer</b>		Drawing Number <b>750370024</b>	Rev. <b>02</b>
Revisions: See Sheet 1		Scale ----	Sheet 2 of 5	
This drawing is dual dimensioned. Dimensions in brackets are in millimeters		Engineer:PLP		07/28/2008