

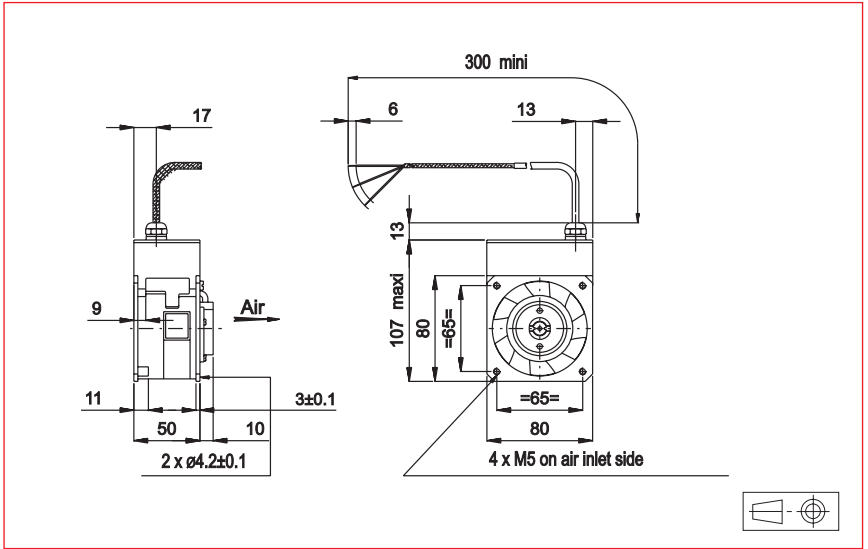
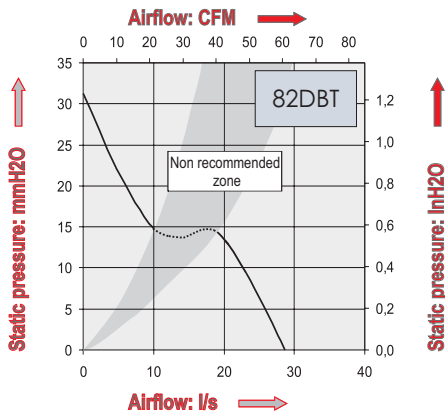
DC High Performance Fans



Approvals

Life expectancy

L-10 LIFE AT 40°C:
25 000 hours



Brushless DC Motor

Housing material: aluminium
Impeller material: aluminium
Weight: 1 kg
Bearing system: ball bearings
Wide temperature range

Marine specifications
Salt spray protected
Shock and vibration protected

Available with:
- RoHS approval

Part Number	Nominal voltage	Airflow	Noise level	Nominal speed	Input Power	Voltage range	Connexion type		Operating temperature	
	V	l/s	dB(A)	RPM	W	V	Leads	Terminals	Min.°C	Max.°C
82DBT05D6000	27	28,7	58	6800	16	(15-32)	X		-25	70

Additional versions:
Other voltages