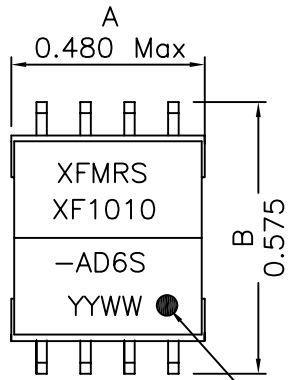
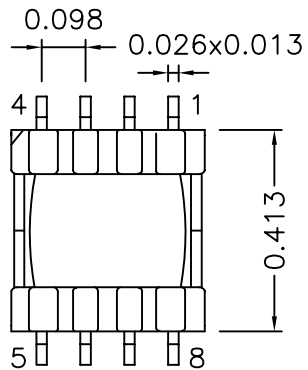


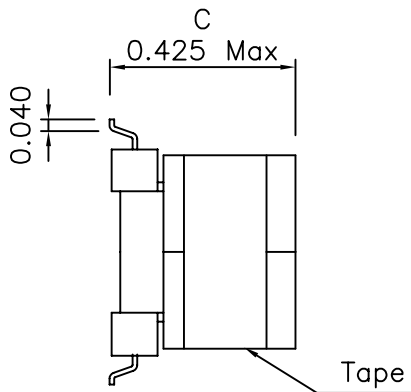
1. Mechanical Dimensions:



White dot indicates pin #1



BOTTOM VIEW



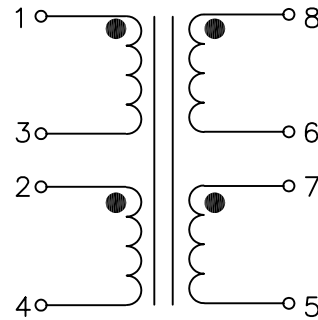
Notes:

1. Solderability: Leads shall meet MIL-STD-202, Method 208D for solderability.
2. Flammability: UL94V-0
3. ASTM oxygen index: > 28%
4. Insulation System: Class F 155°C. UL file E151556
5. Operating Temperature Range: All listed parameters are to be within tolerance from -40°C to +85°C
6. Storage Temperature Range: -55°C to +125°C
7. Aqueous wash compatible

Note: Designed to meet UL1950 for supplementary insulation, 250 working volts.

DOC REV: 00/3

2. Schematic:



2. Electrical Specifications: @25°C

OCL: (Pins 1-4) 850uH±5% @10KHz 0.1V Short 2-3

Leakage L: Pins 1-4 5uH Max 100KHz, 0.1V
Short 8-5 and 2-3

DC Res.: (Pins 1-3) 0.50±10% Ohms

DC Res.: (Pins 2-4) 0.65±10% Ohms

DC Res.: (Pins 8-6) 0.22±10% Ohms

DC Res.: (Pins 7-5) 0.25±10% Ohms

HIPOT: 1875VAC Between Line and Chip

Turns Ratio: (1-4):(8-5) = 1.8:1 Short 2-3 & 6-7

THD: 85dB Min @40KHz, 2.5Vrms (7.0Vp-p), Line:IC

Insertion Loss: 0.50dB Max @100KHz

Frequency Response: ±1.2dB ±50% @100KHz

Longitudinal Balance: 40dB Min @20KHz-1.1MHz

XFMRS Inc

Title:
ADSL TRANSFORMER

UNLESS OTHERWISE SPECIFIED

P/N: XF1010-AD6S

REV. 00

TOLERANCES:

DWN.

李小锋

Oct-31-01

.xxx ±0.015
Dimensions in INCH

CHK.

廖玉坤

Oct-31-01

SCALE 2.5:1 SHT 1 OF 1

APP.

Joe Huff

Oct-31-01