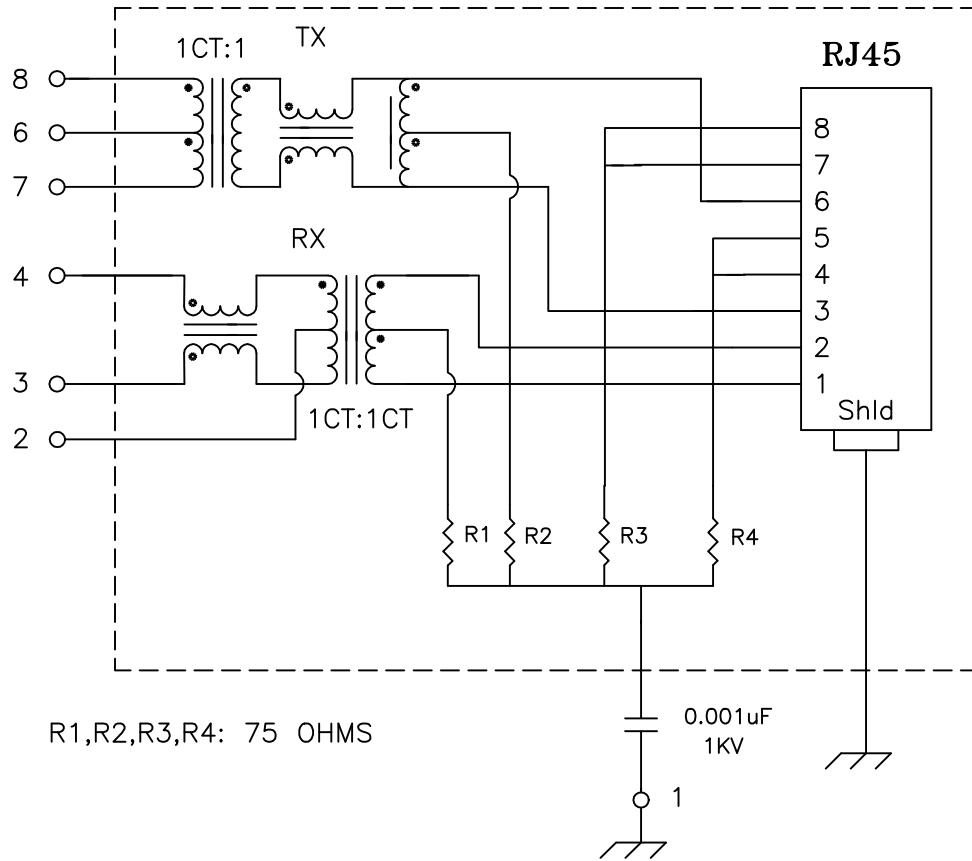


**Schematic:**



**Electrical Specifications: @25°C**

Isolation Voltage: 1500 Vrms (INPUT to OUTPUT)

Isolation Voltage: 500 Vrms (6+7+8-2+3+4)

URNS RATIO: TX 1CT:1 ±5% RX 1CT:1CT ±5%

OCL: 350uH Minimum @100KHz 100mV 8mADC

Insertion Loss (300KHz-100MHz): -0.5dB Typical

Return Loss: 30MHz -21dB Typical

40MHz -17dB Typical

60MHz -14dB Typical

80MHz -12dB Typical

CROSSTALK: 30MHz -55dB Typical

60MHz -45dB Typical

100MHz -35dB Typical

**Notes:**

1. Solderability: Leads shall meet MIL-STD-202, Method 208D for solderability.
2. Flammability: UL94V-0
3. ASTM oxygen index: > 28%
4. Insulation System: Class F 155°C. UL file E151556
5. Operating Temperature Range: All listed parameters are to be within tolerance from -40°C to +85°C
6. Storage Temperature Range: -55°C to +125°C
7. Aqueous wash compatible

**XFMRs Inc.**

Title: **QUAD PORT COMBO**

UNLESS OTHERWISE SPECIFIED  
TOLERANCES:  
.xxx ±0.010  
Dimensions in Inch  
SHEET 1 OF 2

P/N: XFATM6-COMBO4-4S

REV. A

DWN.

李 洁 儿

Feb-08-98

CHK.

孙 悦

Feb-08-98

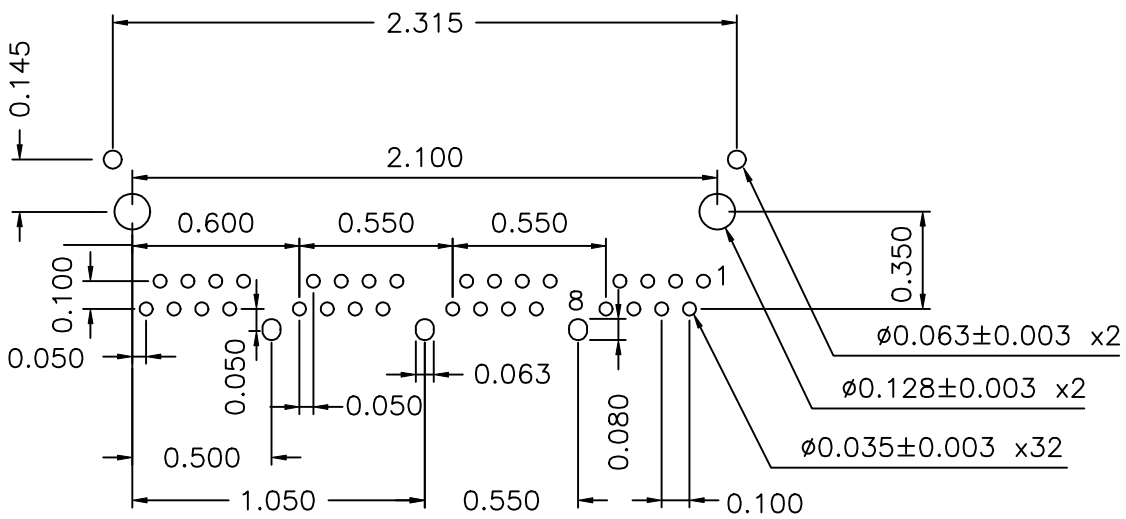
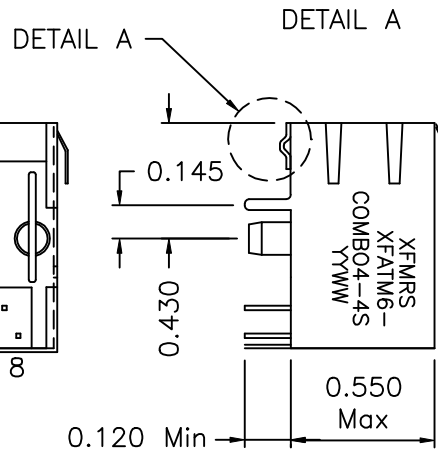
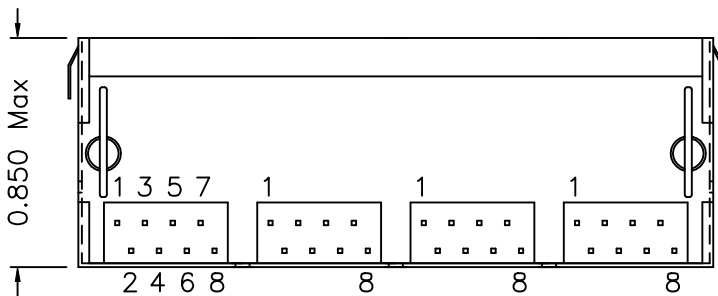
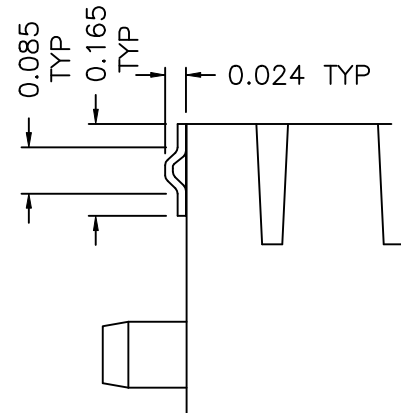
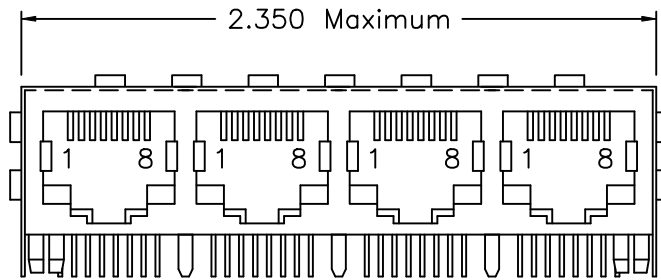
APP.

Joe Huff

Feb-08-98

DOC. REV: A/2

# Mechanical Dimensions: (FOR COMB04-4S)



SUGGESTED MOUNTING PATTERN

<b>XFMRs Inc.</b>	Title: Mechanical Dimensions For COMB04-4S Series		
	UNLESS OTHERWISE SPECIFIED TOLERANCES: .xxx ±0.010	P/N: XFATM6-COMB04-4S	REV. A
DOC. REV: A/2	Dimensions in Inch	DWN. 李津儿	Feb-08-98
	SHEET 2 OF 2	CHK. 孙悦	Feb-08-98
		APP. Joe Huff	Feb-08-98